

durables[®]

Vinyl Fence

Installation Guide

Always consult the following installation instructions as well as the CAD diagrams when installing your fence.

www.QuickShipVinylFence.com | (800) 878-7829 | Sales@QuickShipVinylFence.com

High Wind Installation

All of our vinyl privacy fence panels (up to 6' in height) have been engineered and tested to accommodate high wind loads. In order to withstand high wind loads, the additional installation steps below must be followed. Please note, testing completed on a 6' x 8' size panel confirms that all tongue and groove picket privacy fences 6' and shorter will accommodate high wind loads.

High Wind Installation WITHOUT Fasteners:

Below are the wind loads tested without any fasteners connecting the pickets to the rails:

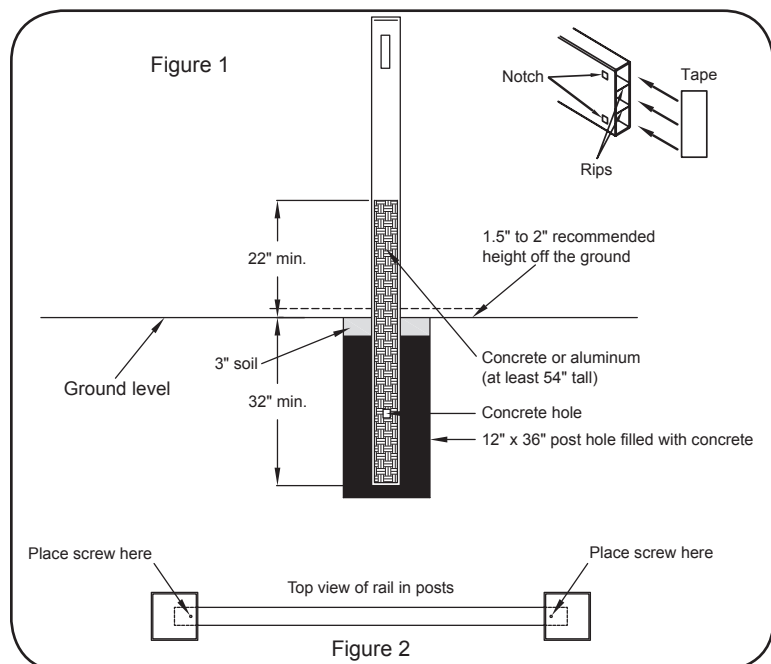
All other T&G privacy fence styles: 90mph sustained winds up to 110mph wind gusts

Panel Privacy: 100mph sustained winds up to 116mph wind gusts

Panel Privacy w. Lattice: 70mph sustained winds up to 84mph wind gusts

Step 1 Reinforce each post to at least 22" above ground with either an aluminum insert (prior to installing the fence) OR fill each post with concrete (after installing the fence) as shown in figure 1. If using concrete, be sure to tape off the rails to prevent it from flowing into the rail. If reinforcing the post with an aluminum insert, the insert can be shipped from the factory already cut to size.

Step 2 Install a #10 x 1" self-tapping stainless steel screw inside the post on each side of the top rail (see figure 2 below). #10 x 1" screws may be purchased from us or a local hardware store

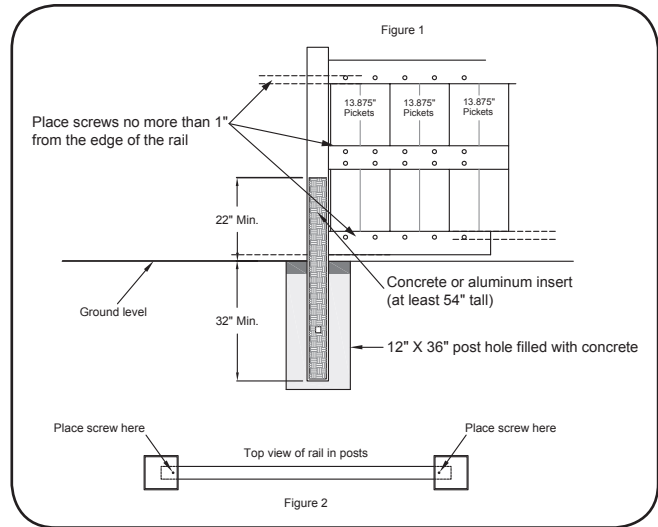


High Wind Installation WITH Fasteners:

If higher wind load capacity is required, follow the installation instructions found below. It is only necessary to install fasteners on one side of the fence panel. Screws may be purchased from us or a local hardware store. Since these screws are visible on the exterior of the fence panel, we recommend installing screw cap covers.

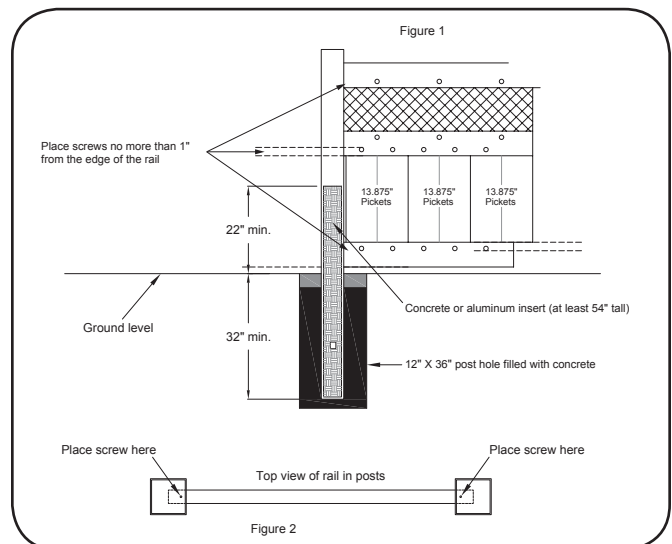
Panel Privacy - 120 MPH sustained winds with gusts up to 137 MPH

- Step 1** Reinforce each post to at least 22" above ground with either an aluminum insert (prior to installing the fence) OR fill each post with concrete (after installing the fence) as shown in figure 1. If using concrete, be sure to tape off the rails to prevent it from flowing into the rail.
- Step 2** Install four #10 x 1" self-tapping stainless steel screw into each 13.875" wide picket, using 2 screws to secure the picket to the top rail and 2 screws to secure the picket to the mid-rail. Screws should be placed no more than 1" from the top or bottom of the rail. Be careful not to over tighten the screws.
- Step 3** Repeat step 2 to secure the pickets between the mid-rail and the bottom rail.
- Step 4** Next, install a screw inside the post on each side of the top rail as seen in figure 2.



Panel Privacy with Lattice - 110 MPH sustained winds with gusts up to 130 MPH

- Step 1** Reinforce each post to at least 22" above ground with either an aluminum insert (prior to installing the fence) OR fill each post with concrete (after installing the fence) as shown in figure 1. If using concrete, be sure to tape off the rails to prevent it from flowing into the rail.
- Step 2** Install four #10 x 1" self-tapping stainless steel screw into each 13.875" wide picket, using 2 screws to secure the picket to the mid-rail and 2 screws to secure the picket to the bottom rail. Screws should be placed no more than 1" from the top or bottom of the rail. Be careful not to over tighten the screws.
- Step 3** To secure the lattice accent, install additional screws approximately 10" apart in the top rail and the mid-rail, being sure the screws goes through the rail and into the lattice.
- Step 4** Next, install a screw inside the post on each side of the top rail as seen in figure 2.

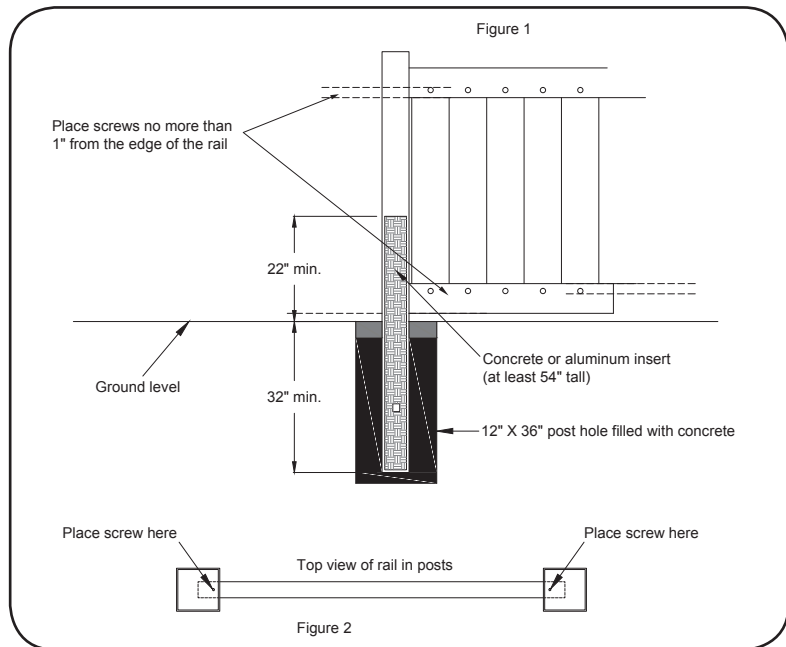


T&G Privacy - 110 MPH sustained winds with gusts up to 130 MPH

Step 1 Reinforce each post to at least 22" above ground with either an aluminum insert (prior to installing the fence) OR fill each post with concrete (after installing the fence) as shown in figure 1. If using concrete, be sure to tape off the rails to prevent it from flowing into the rail.

Step 2 Install one #10 x 1" self-tapping stainless steel screw into the top and bottom of each 6" wide picket to secure the picket to the top and the bottom rails. Screws should be placed no more than 1" from the top or bottom of the rail. Be careful not to over tighten the screws.

Step 3 Install a screw inside the post on each side of the top rail as seen in figure 2.



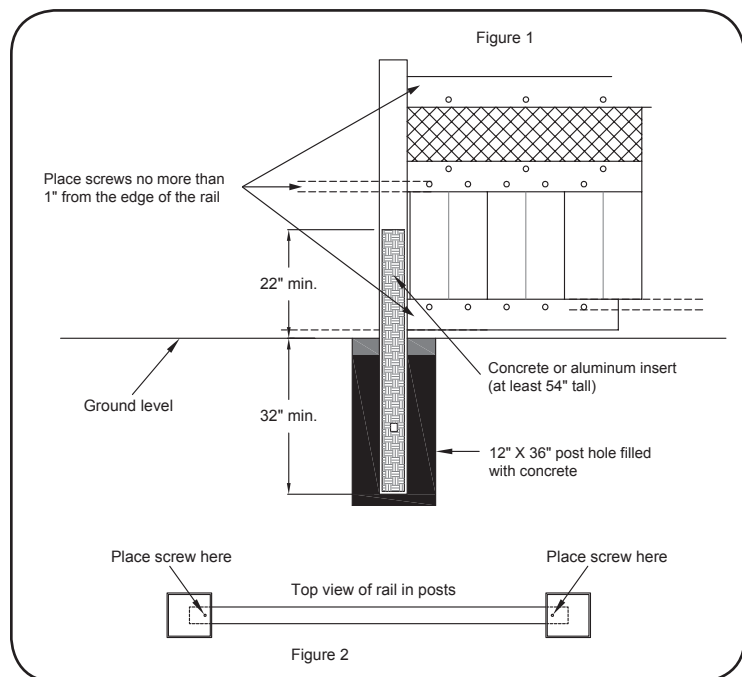
T&G Privacy with Lattice Accent - 110 MPH sustained winds with gusts up to 130 MPH

Step 1 Reinforce each post to at least 22" above ground with either an aluminum insert (prior to installing the fence) OR fill each post with concrete (after installing the fence) as shown in figure 1. If using concrete, be sure to tape off the rails to prevent it from flowing into the rail.

Step 2 Install one #10 x 1" self-tapping stainless steel screw into the top and bottom of each 6" wide picket to secure the picket to the bottom and mid-rails. Screws should be placed no more than 1" from the top or bottom of the rail. Be careful not to over tighten the screws.

Step 3 To secure the lattice accent, install additional screws approximately 10" apart into the top rail and the mid-rail, being sure the screw goes through the rail into the lattice.

Step 4 Install a screw inside the post on each side of the top rail as seen in figure 2.



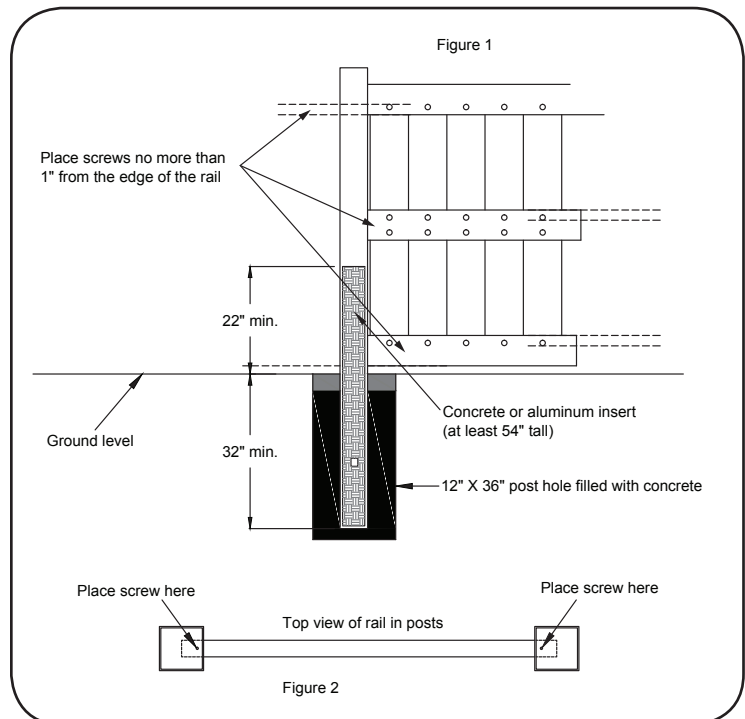
T&G Privacy with Mid-Rail - 110 MPH sustained winds with gusts to 130 MPH

Step 1 Reinforce each post to at least 22" above ground with either an aluminum insert (prior to installing the fence) OR fill each post with concrete (after installing the fence) as shown in figure 1. If using concrete, be sure to tape off the rails to prevent it from flowing into the rail.

Step 2 Install one #10 x 1" self-tapping stainless steel screw into the top and bottom of each 6" wide picket to secure the picket to the top and the mid-rails. Screws should be placed no more than 1" from the top or bottom of the rail. Be careful not to over tighten the screws.

Step 3 Repeat step 2 to secure the pickets between the mid-rail and the bottom rail.

Step 4 Install a screw inside the post on each side of the top rail as seen in figure 2.



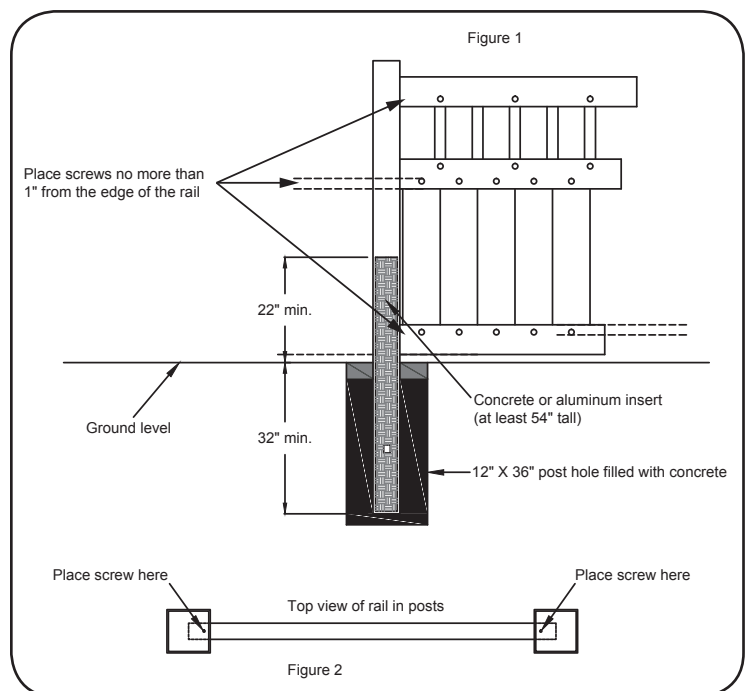
T&G Privacy with a Closed Spindle Top - 110 MPH sustained winds with gusts to 130 MPH

Step 1 Reinforce each post to at least 22" above ground with either an aluminum insert (prior to installing the fence) OR fill each post with concrete (after installing the fence) as shown in figure 1. If using concrete, be sure to tape off the rails to prevent it from flowing into the rail.

Step 2 Install one #10 x 1" self-tapping stainless steel screw into the top and bottom of each 6" wide picket securing it to the bottom and mid-rails. Screws should be placed no more than 1" from the top or bottom of the rail. Be careful not to over tighten the screws.

Step 3 Secure every other spindle by installing a screw through the top rail and through the midrail.

Step 4 Install a screw inside the post on each side of the top rail as seen in figure 2.



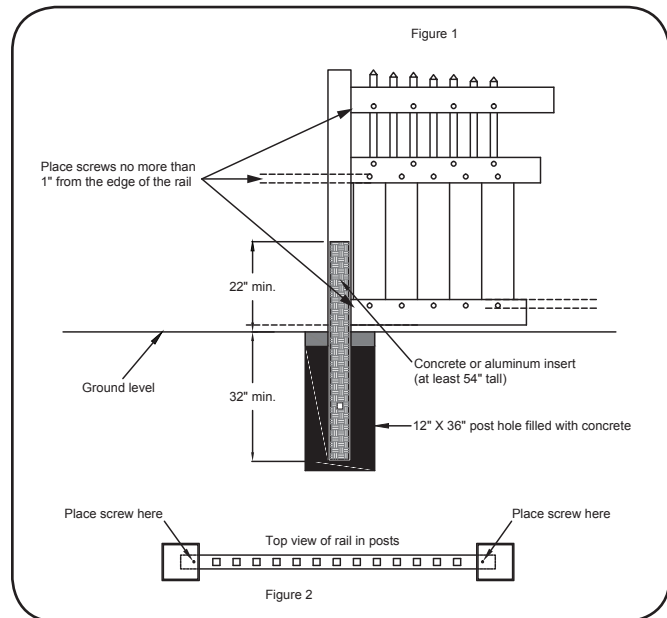
T&G Privacy with Picket Accent - 110 MPH sustained winds with gusts to 130 MPH

Step 1 Reinforce each post to at least 22" above ground with either an aluminum insert (prior to installing the fence) OR fill each post with concrete (after installing the fence) as shown in figure 1. If using concrete, be sure to tape off the rails to prevent it from flowing into the rail.

Step 2 Install one #10 x 1" self-tapping stainless steel screw into the top and bottom of each 6" wide picket securing it to the bottom and mid-rails. Screws should be placed no more than 1" from the top or bottom of the rail. Be careful not to over tighten the screws.

Step 3 Secure every other 1.5" wide accent picket by installing a screw through the top rail and through the mid-rail.

Step 4 Install a screw inside the post on each side of the top rail as seen in figure 2.

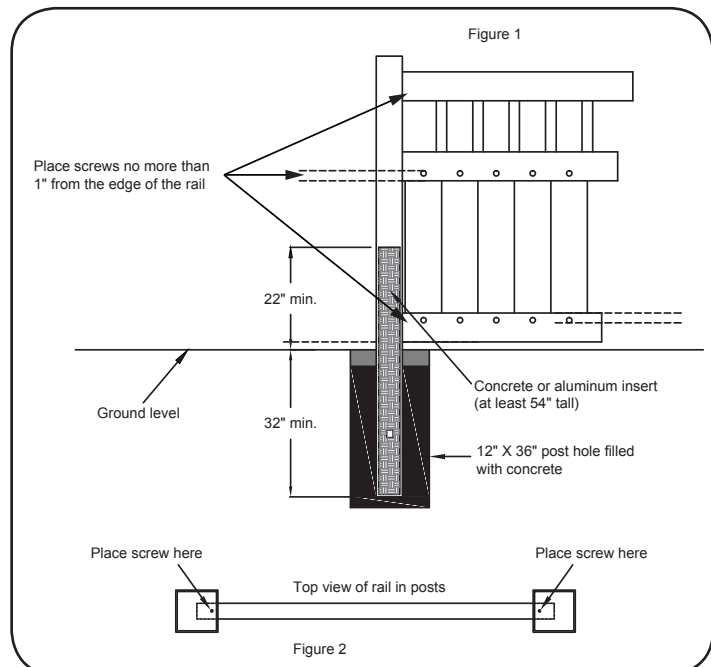


T&G Privacy with Aluminum Spindle Accent- 110 MPH sustained winds with gusts up to 130 MPH.

Step 1 Reinforce each post to at least 22" above ground with either an aluminum insert (prior to installing the fence) OR fill each post with concrete (after installing the fence) as shown in figure 1. If using concrete, be sure to tape off the rails to prevent it from flowing into the rail.

Step 2 Install one #10 x 1" self-tapping stainless steel screw into the top and bottom of each 6" wide picket to secure the picket to the top and the bottom rails. Screws should be placed no more than 1" from the top or bottom of the rail. Be careful not to over tighten the screws.

Step 3 Install a screw inside the post on each side of the top rail as seen in figure 2.



Please note, the purchaser has the sole responsibility to determine whether these products comply with applicable codes and is appropriate for the intended use.

The purchaser and installer should review the intended use of the products with a licensed professional engineer to determine code compliance and intended use.