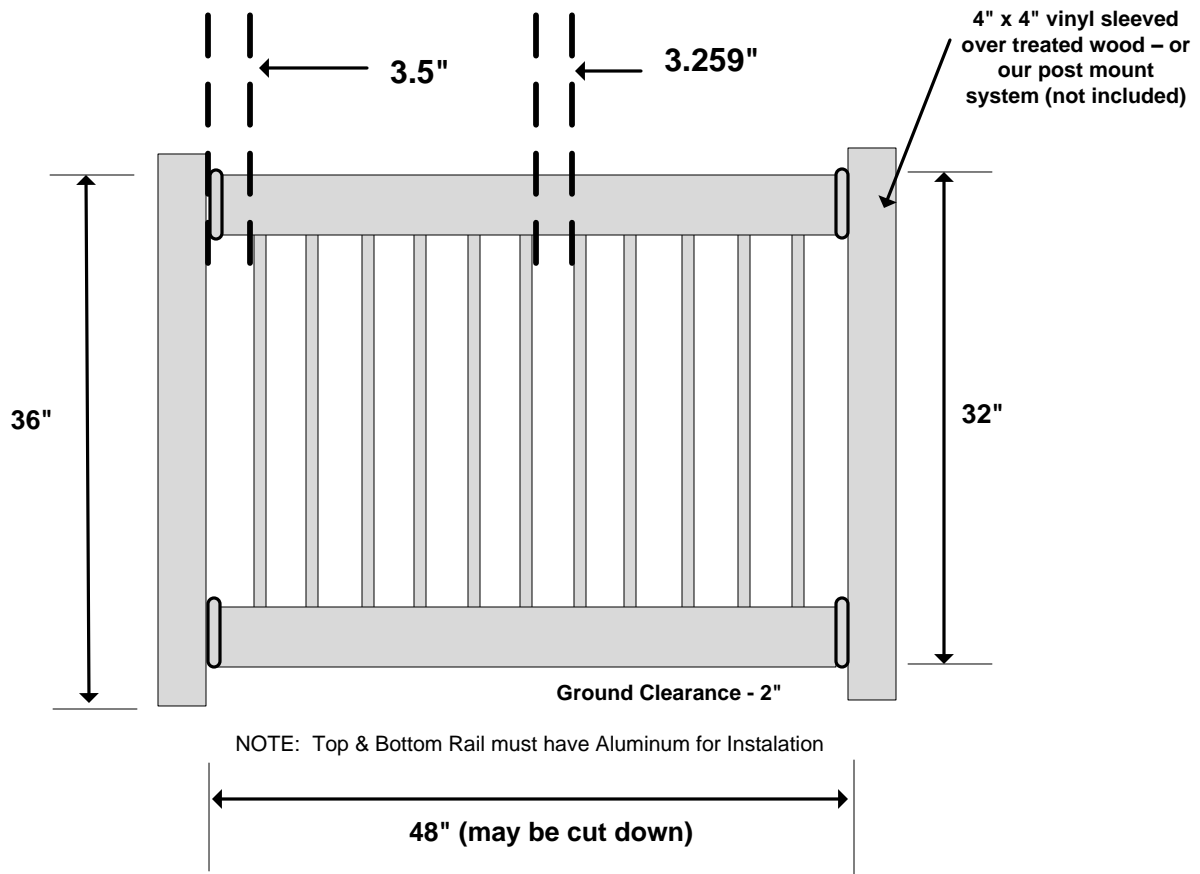


2" x 3.5" Top & Bottom DB w/Round Aluminum Spindles

Product Evaluation Report – PER-12049

4' Straight Railing Kit
WWR-R36-R4DB

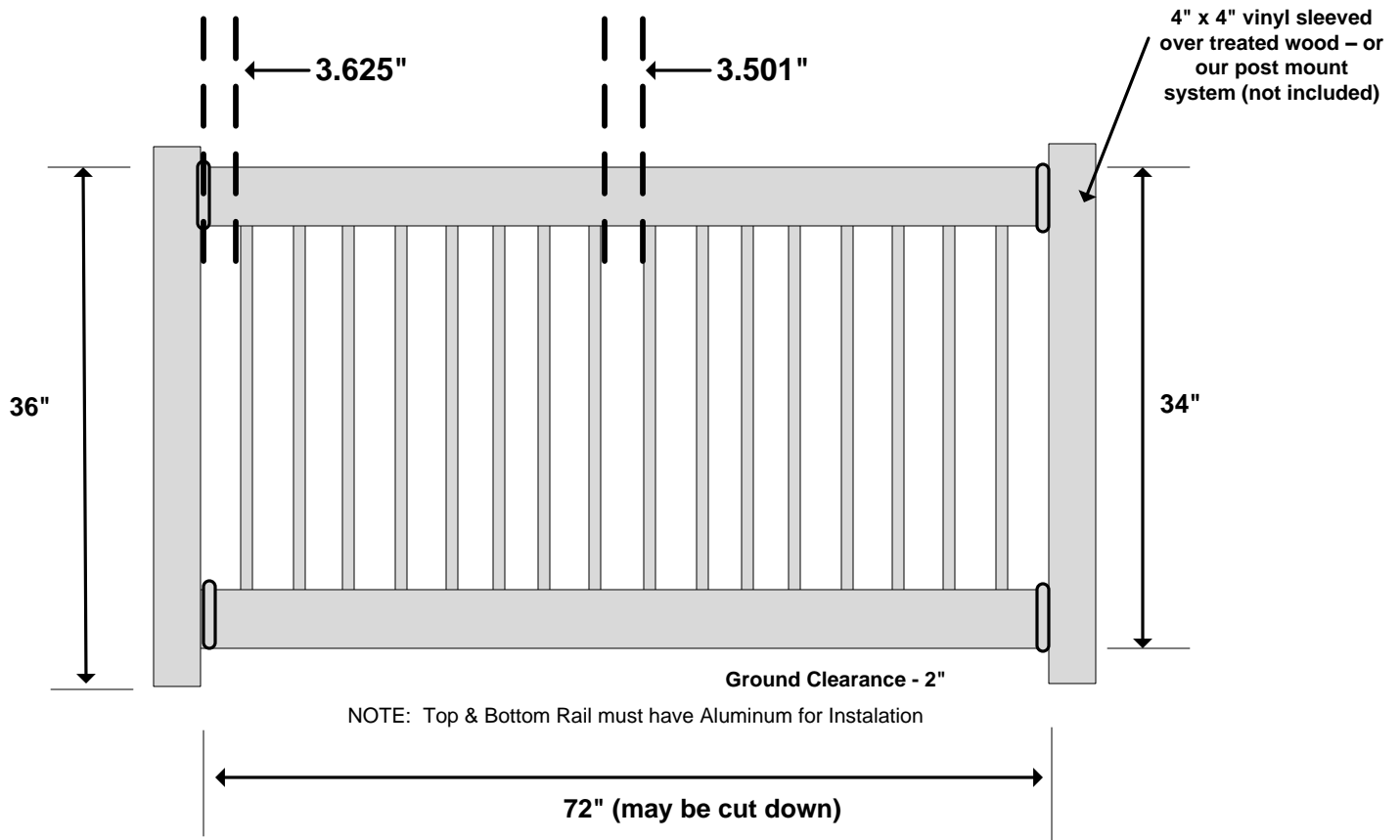


Material per 48" wide panel					
1	Number of Panels				
2	Top & Bottom Rail	2" x 3.5" x 48"*			
2	Aluminum Channel	Fits into the top & bottom rail			
2	Straight Bkts (Pairs)	2" x 3.5" Straight Set			
11	Spindles	Black - 3/4" x 32" Round Aluminum Spindles			
1	AMBR-DECKCLIP-KIT	Deck Board Clip Kit			
	*Actual Measurements may vary				

2" x 3.5" Top & Bottom DB w/Round Aluminum Spindles

Product Evaluation Report – PER-12049

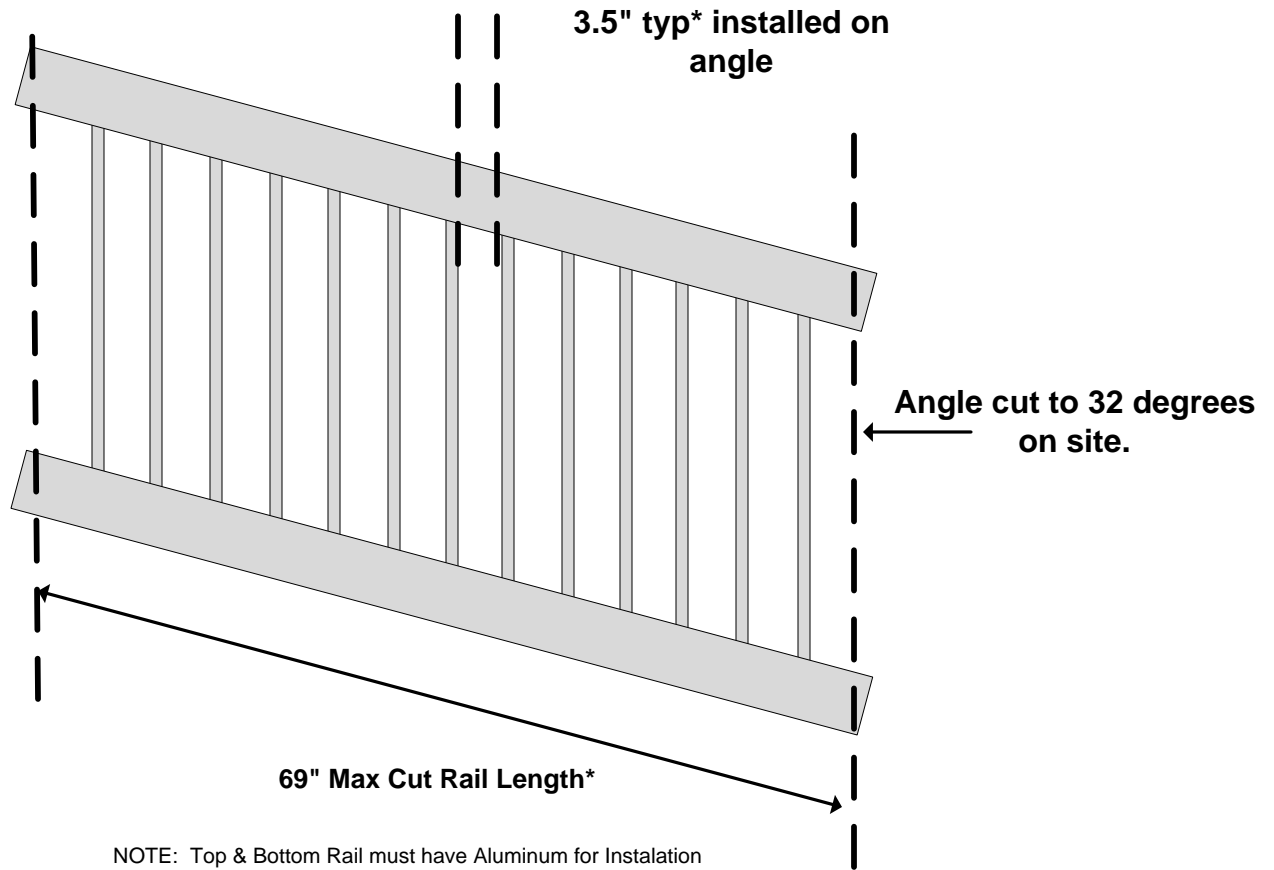
6' Straight Railing Kit
WWR-R36-R6DB



Material per 72" wide panel							
1	Number of Panels						
2	Top & Bottom Rail	2" x 3.5" x 72"*					
2	Aluminum Channel	Fits into the top & bottom rail					
2	Straight Bkts (Pairs)	2" x 3.5" Straight Set					
16	Spindles	Black - 3/4" x 32" Round Aluminum Spindles					
1	AMBR-DECKCLIP-KIT	Deck Board Clip Kit					
*Actual Measurements may vary							

2" x 3.5" Top & Bottom DB w/Round Aluminum Spindles

6' Stair Railing Kit
WWR-R36-R6DBS



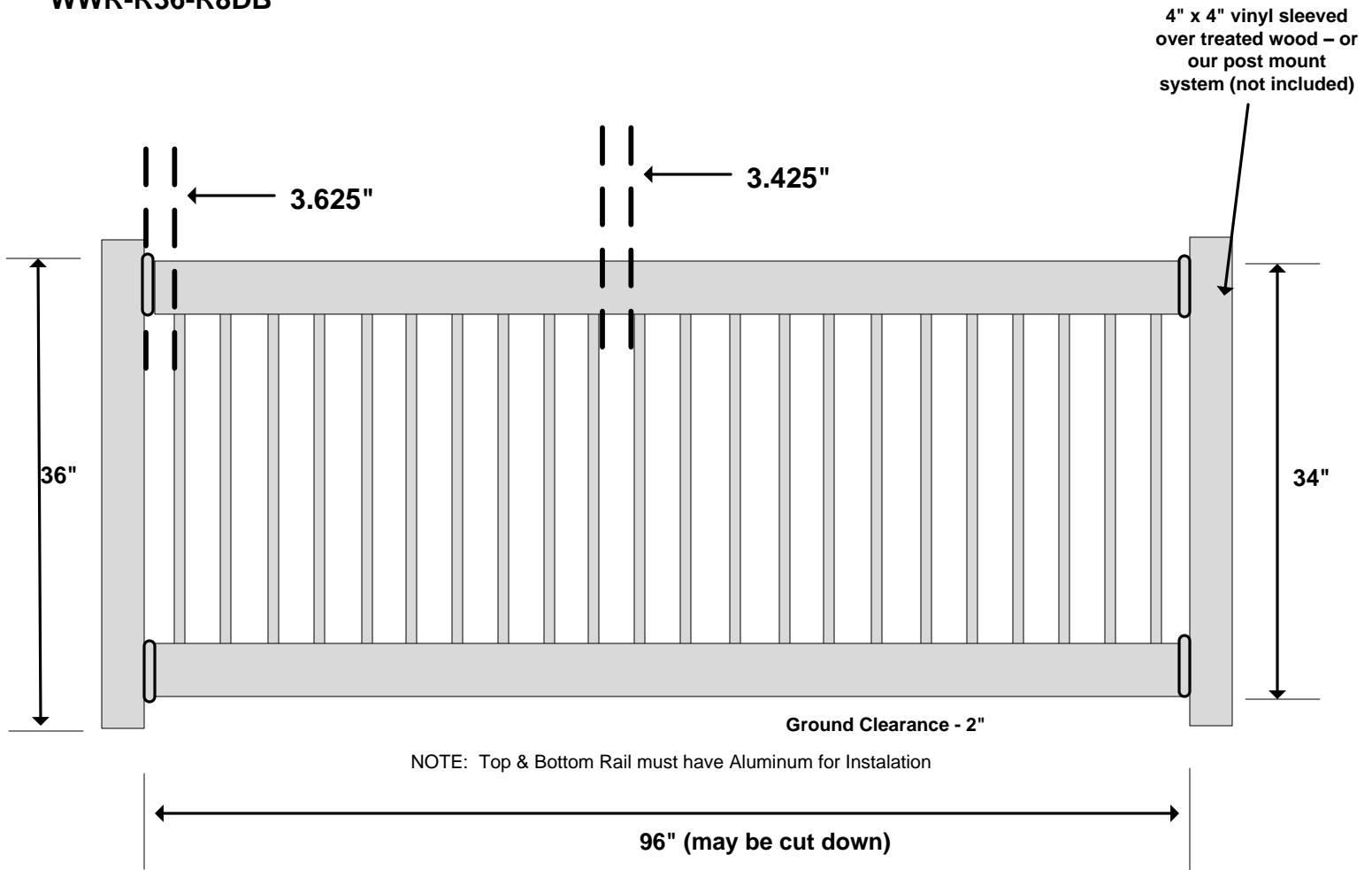
Material per 72" wide panel		
1	Number of Panels	
1	2" x 3.5"	2" x 3.5" x 72"*
2	6' Aluminum Channel	Fits in Top and Bottom Rail
1	Stair DB Top (pair)	2" x 3.5" Deck Board Stair Set
1	Stair 2" x 3.5" (pair)	2" x 3.5" Stair Set
13	Spindles	Black - 3/4" x 32" Round Aluminum Spindles
1	AMBR-DECKCLIP-KIT	Deck Board Clip Kit
*Actual Measurements may vary		

2" x 3.5" Top & Bottom DB w/Round Aluminum Spindles

Product Evaluation Report – PER-12049

8' Straight Railing Kit

WWR-R36-R8DB

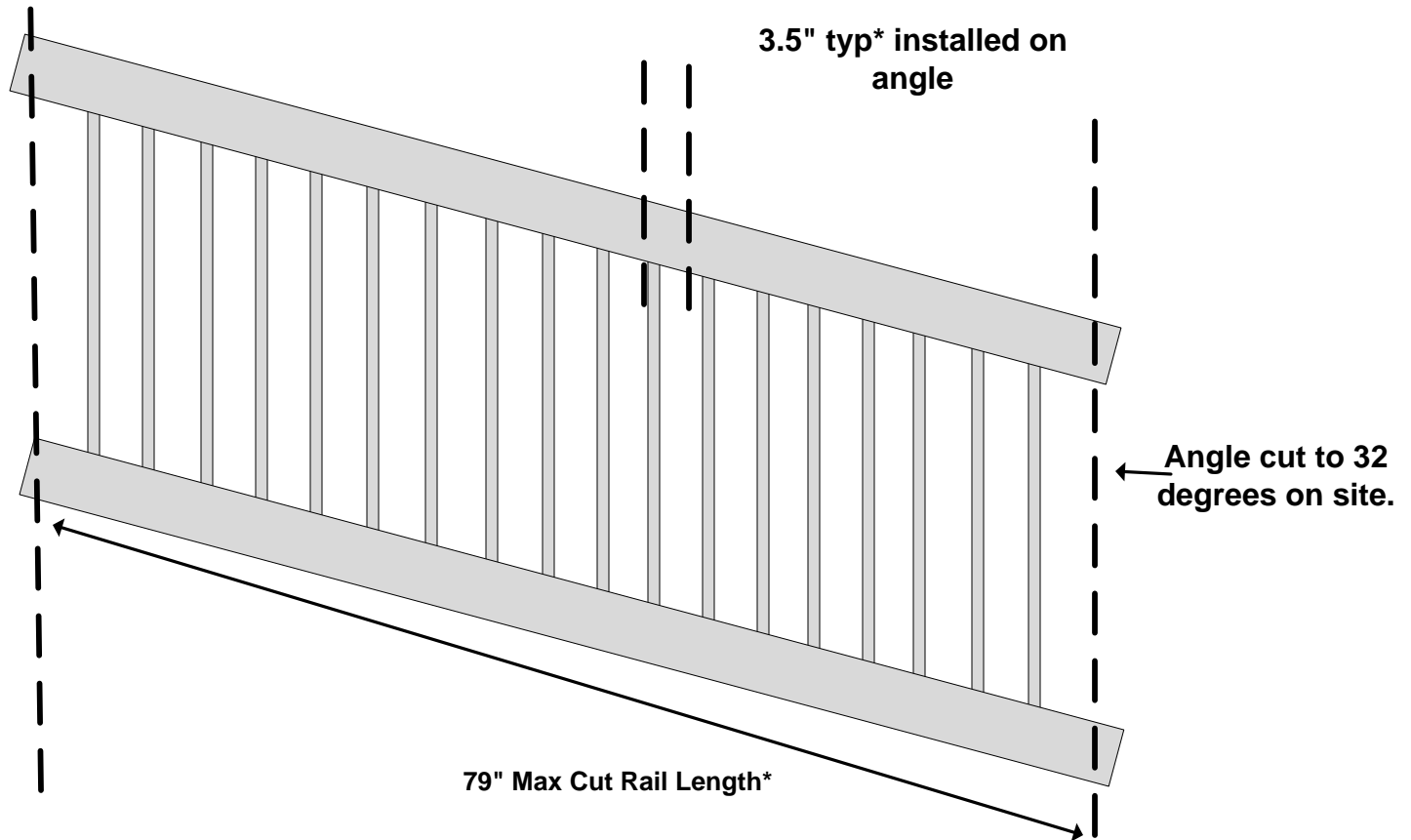


Material per 96" wide panel

1	Number of Panels				
2	Top & Bottom Rail	2" x 3.5" x 96"*			
2	Aluminum Channel	Fits into the top & bottom rail			
2	Straight Bkts (Pairs)	2" x 3.5" Straight Set			
22	Spindles	Black - 3/4" x 32" Round Aluminum Spindles			
1	AMBR-DECKCLIP-KIT	Deck Board Clip Kit			
	*Actual Measurements may vary				

2" x 3.5" Top & Bottom DB w/Round Aluminum Spindles

8' Stair Railing Kit
WWR-R36-R8DBS



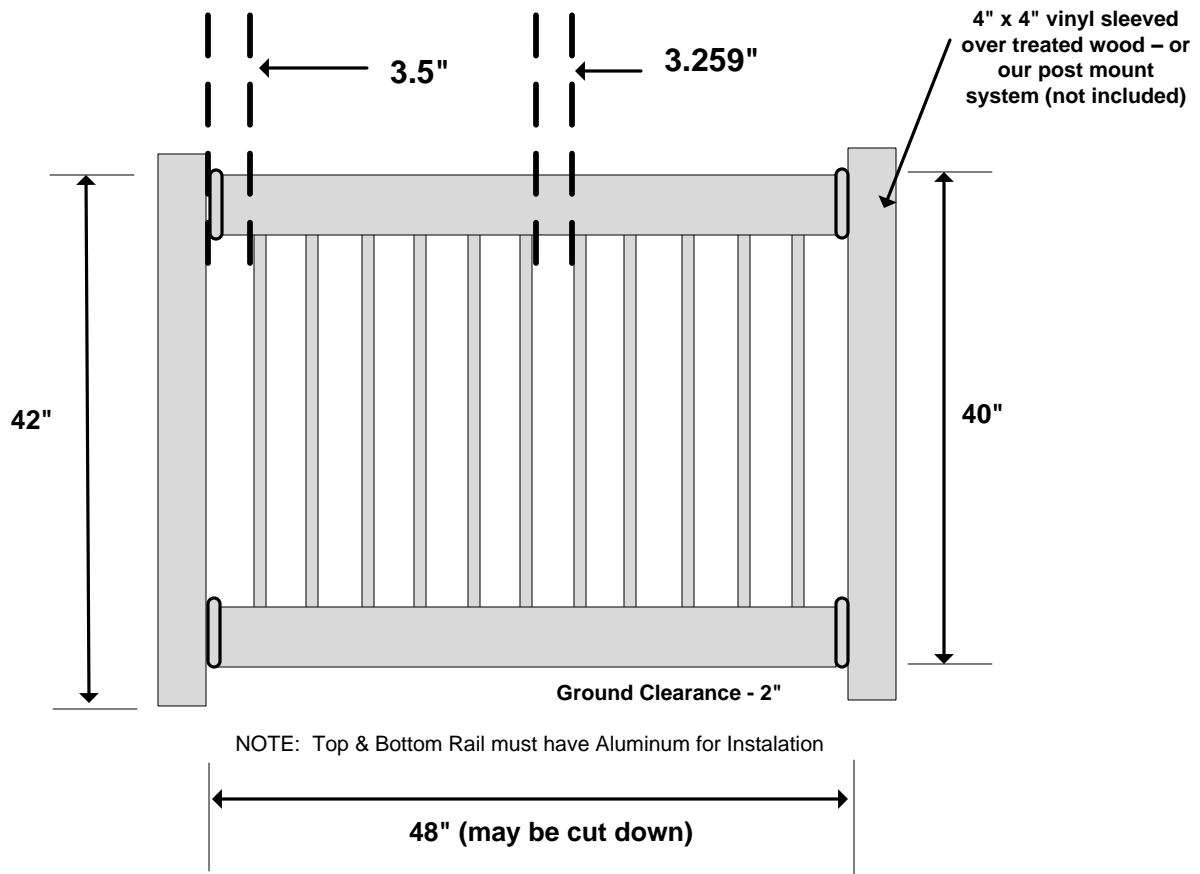
NOTE: Top & Bottom Rail must have Aluminum for Instalation

Material per 96" wide panel					
1	Number of Panels				
2	2" X 3.5"	2" x 3.5" x 96"*			
2	8' Aluminum Channel	Fits in Top and Bottom Rail			
1	Stair DB Top (pair)	Deck Board Stair Set			
1	Stair 2" x 3.5" (pair)	2" x 3.5" Stair Set			
18	Spindles	Black - 3/4" x 32" Round Aluminum Spindles			
1	AMBR-DECKCLIP-KIT	Deck Board Clip Kit			
*Actual Measurements may vary					

2" x 3.5" Top & Bottom DB w/Round Aluminum Spindles

Product Evaluation Report – PER-12049

4' Straight Railing Kit
WWR-R42-R4DB

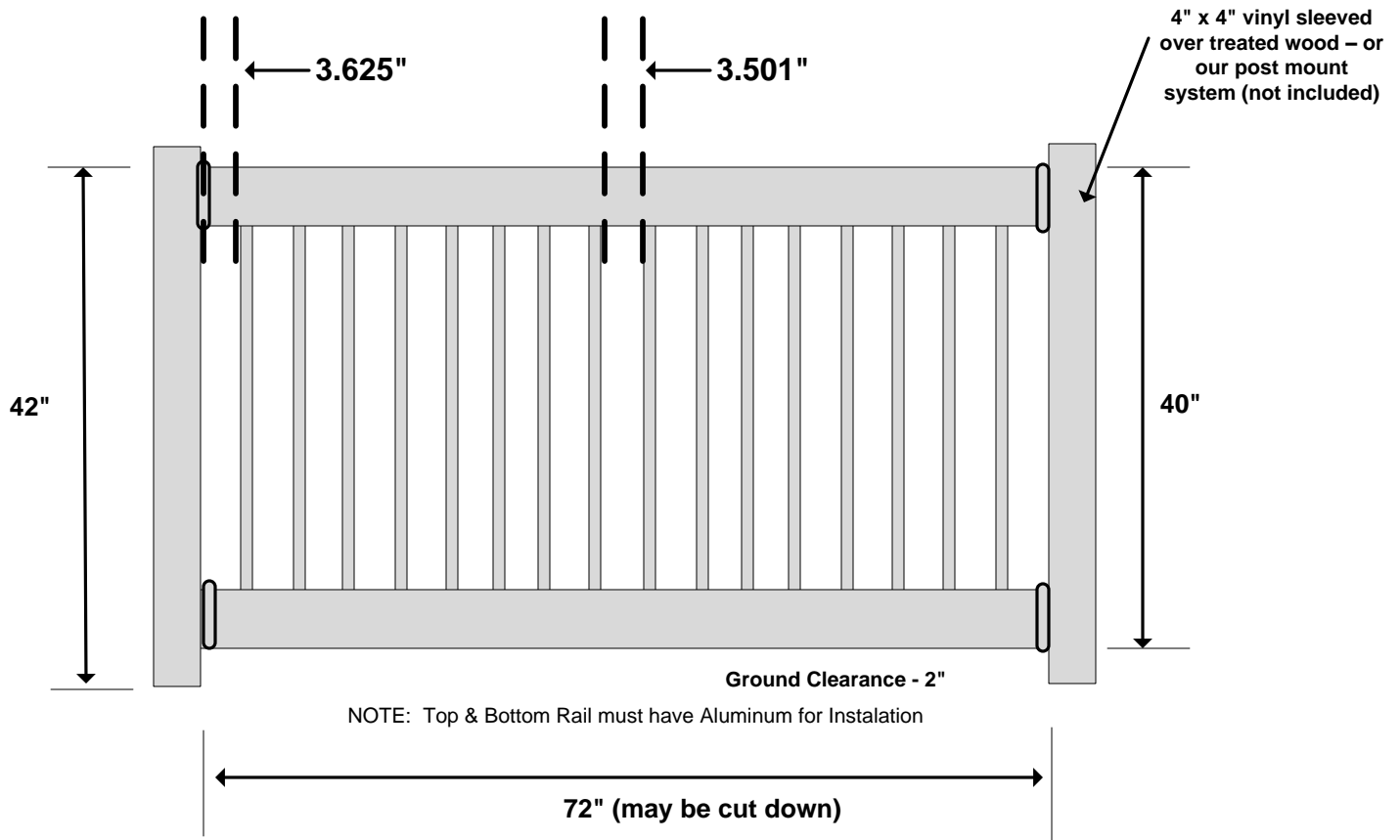


Material per 48" wide panel					
1	Number of Panels				
2	Top & Bottom Rail	2" x 3.5" x 48"*			
2	Aluminum Channel	Fits into the top & bottom rail			
2	Straight Bkts (Pairs)	2" x 3.5" Straight Set			
11	Spindles	Black - 3/4" x 38" Round Aluminum Spindles			
1	AMBR-DECKCLIP-KIT	Deck Board Clip Kit			
*Actual Measurements may vary					

2" x 3.5" Top & Bottom DB w/Round Aluminum Spindles

Product Evaluation Report – PER-12049

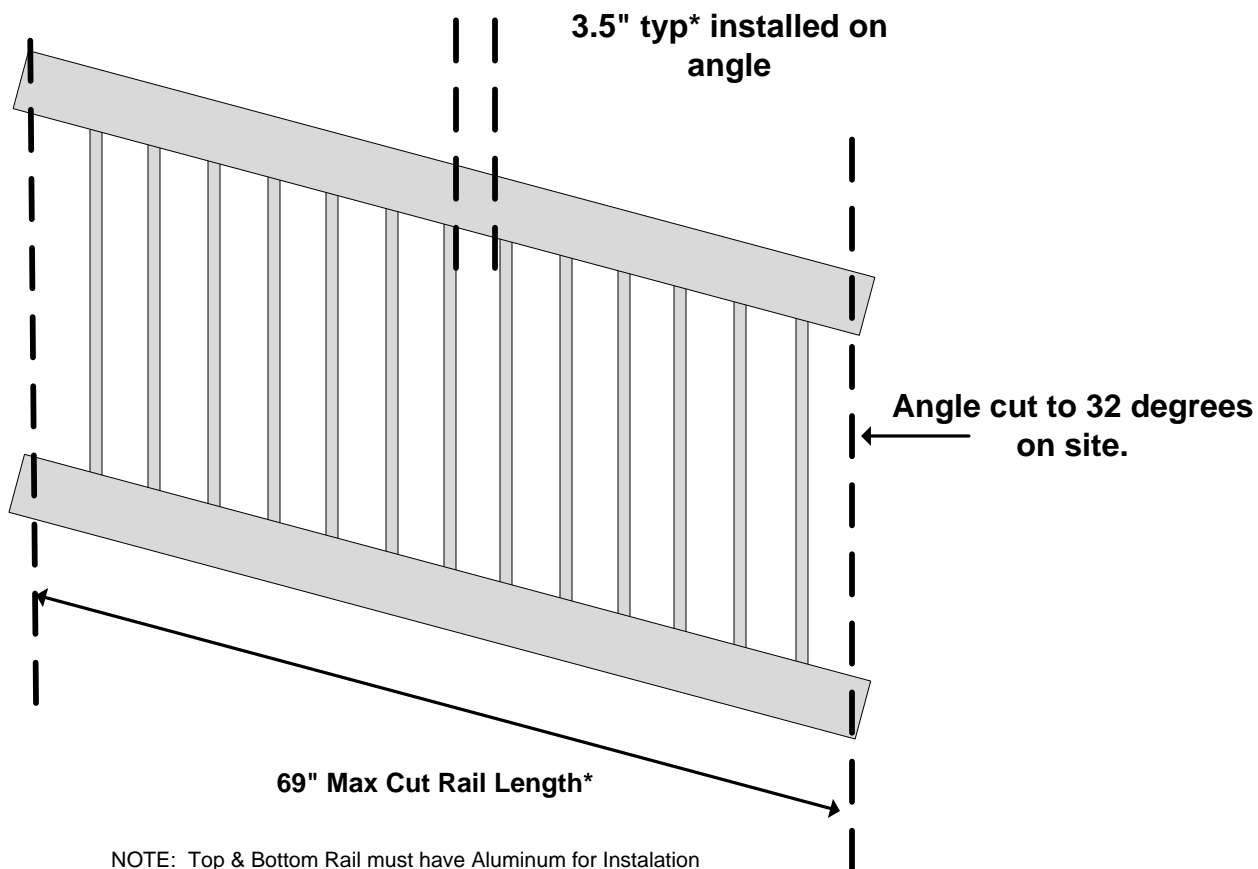
6' Straight Railing Kit
WWR-R42-R6DB



Material per 72" wide panel					
1	Number of Panels				
2	Top & Bottom Rail	2" x 3.5" x 72"*			
2	Aluminum Channel	Fits into the top & bottom rail			
2	Straight Bkts (Pairs)	2" x 3.5" Straight Set			
16	Spindles	Black - 3/4" x 38" Round Aluminum Spindles			
1	AMBR-DECKCLIP-KIT	Deck Board Clip Kit			
	*Actual Measurements may vary				

2" x 3.5" Top & Bottom DB w/Round Aluminum Spindles

6' Stair Railing Kit
WWR-R42-R6DBS



Material per 72" wide panel							
1	Number of Panels						
2	2" x 3.5"	2" x 3.5" x 72"*					
2	6' Aluminum Channel	Fits in Top and Bottom Rail					
1	Stair DB Top (pair)	Deck Board 2" x 3.5" Stair Set					
1	Stair 2" x 3.5" (pair)	2" x 3.5" Stair Set					
13	Spindles	Black - 3/4" x 38" Round Aluminum Spindles					
1	AMBR-DECKCLIP-KIT	Deck Board Clip Kit					
	*Actual Measurements may vary						

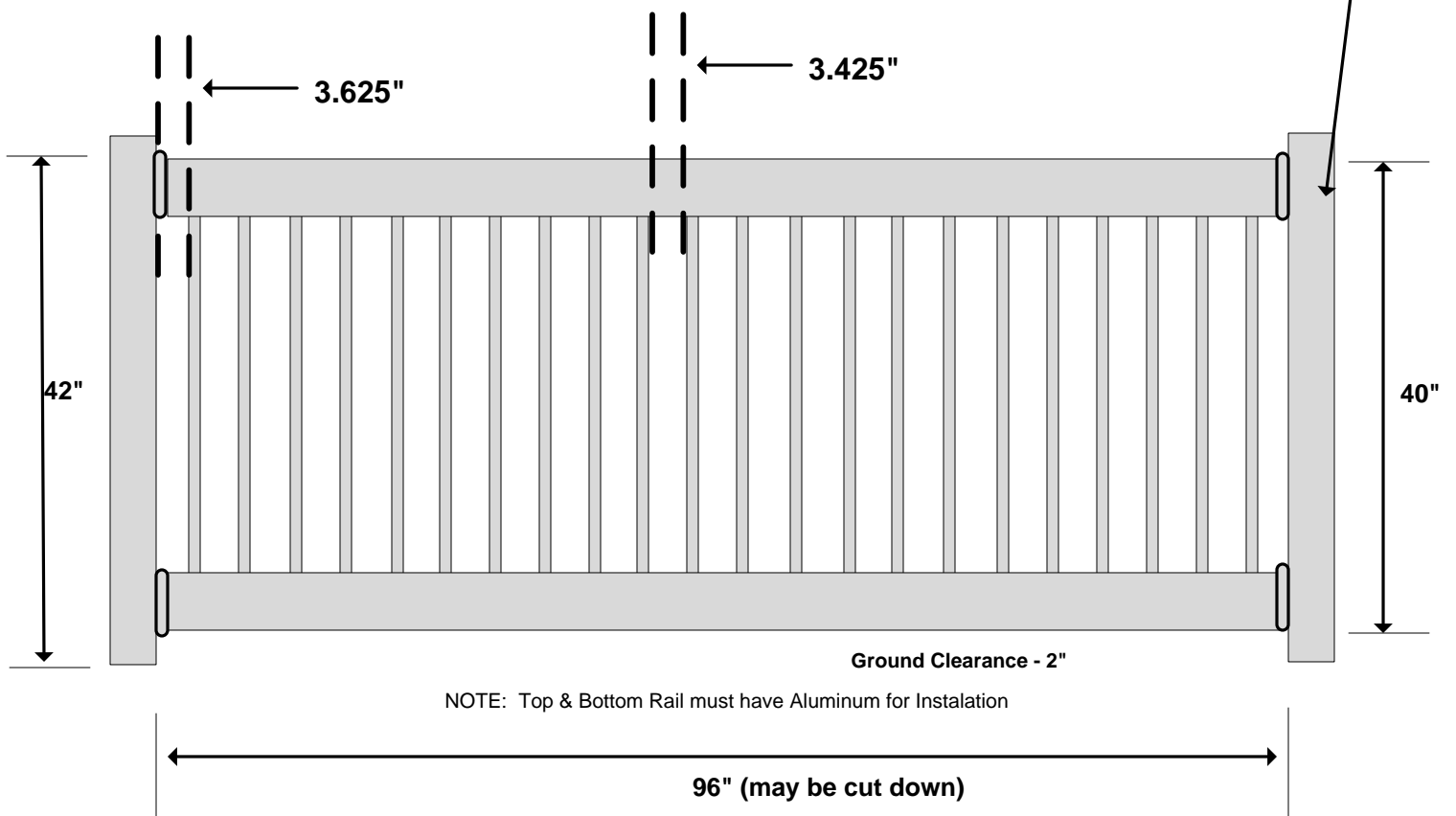
2" x 3.5" Top & Bottom DB w/Round Aluminum Spindles

Product Evaluation Report – PER-12049

8' Straight Railing Kit

WWR-R42-R8DB

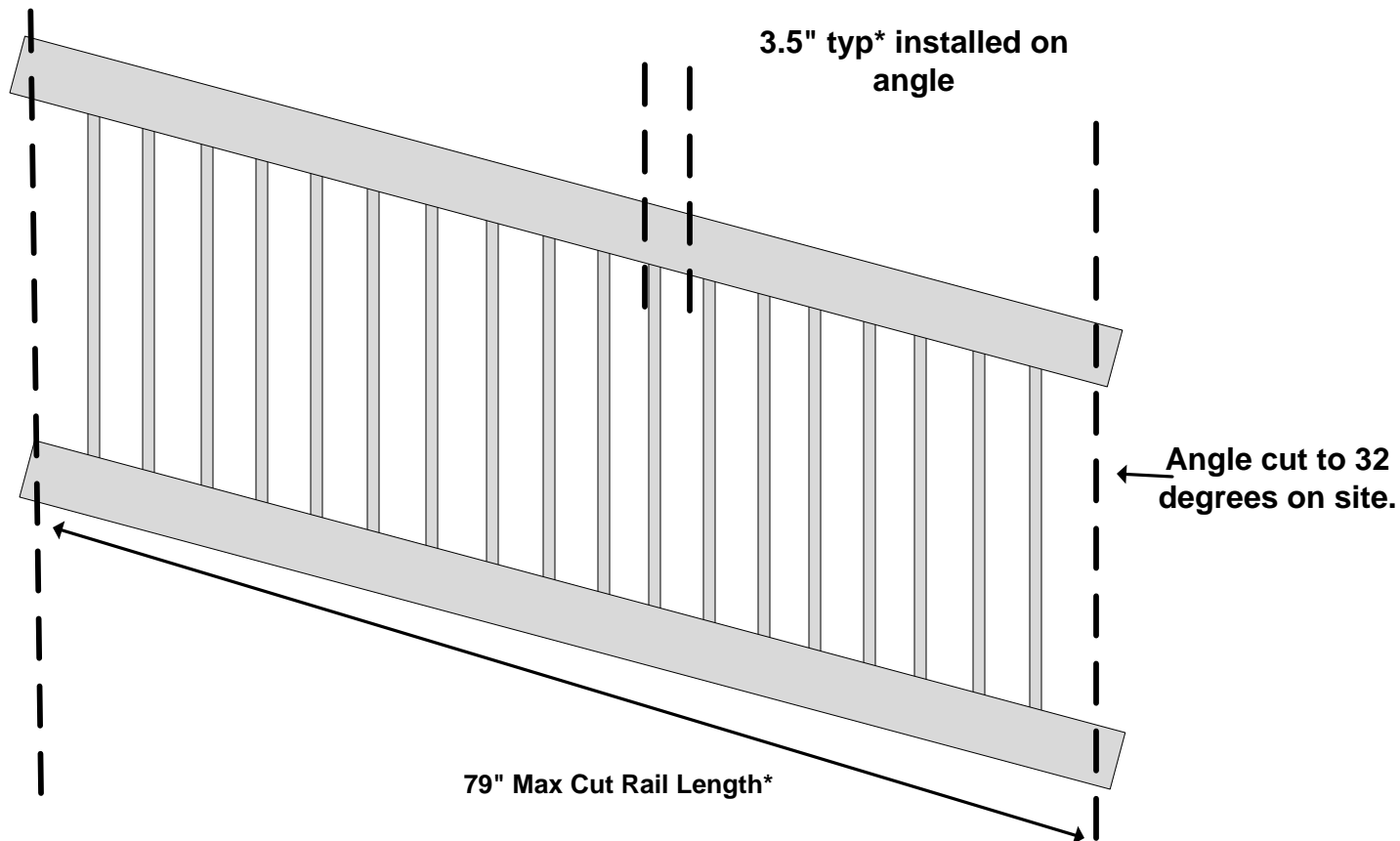
4" x 4" vinyl sleeved
over treated wood – or
our post mount
system (not included)



Material per 96" wide panel							
1	Number of Panels						
2	Bottom Rail	2" x 3.5" x 96"*					
2	Aluminum Channel	Fits into the top & bottom rail					
2	Straight Bkts (Pairs)	T-Rail & 2" x 3.5" Straight Set					
22	Spindles	Black - 3/4" x 38" Round Aluminum Spindles					
1	AWBR-DECKCLIP-KIT	Deck Board Clip Kit					
	*Actual Measurements may vary						

2" x 3.5" Top & Bottom w/Round Aluminum Spindles

8' Stair Railing Kit
WWR-R42-R8DBS



NOTE: Top & Bottom Rail must have Aluminum for Installation

Material per 96" wide panel						
1	Number of Panels					
2	2" X 3.5"	2" x 3.5" x 96"*				
2	8' Aluminum Channel	Fits in Top and Bottom Rail				
1	Stair DB Top (pair)	Deck Board 2" x 3.5" Stair Set				
1	Stair 2" x 3.5" (pair)	2" x 3.5" Stair Set				
18	Spindles	Black - 3/4" x 38" Round Aluminum Spindles				
1	AMBR-DECKCLIP-KIT	Deck Board Clip Kit				
*Actual Measurements may vary						