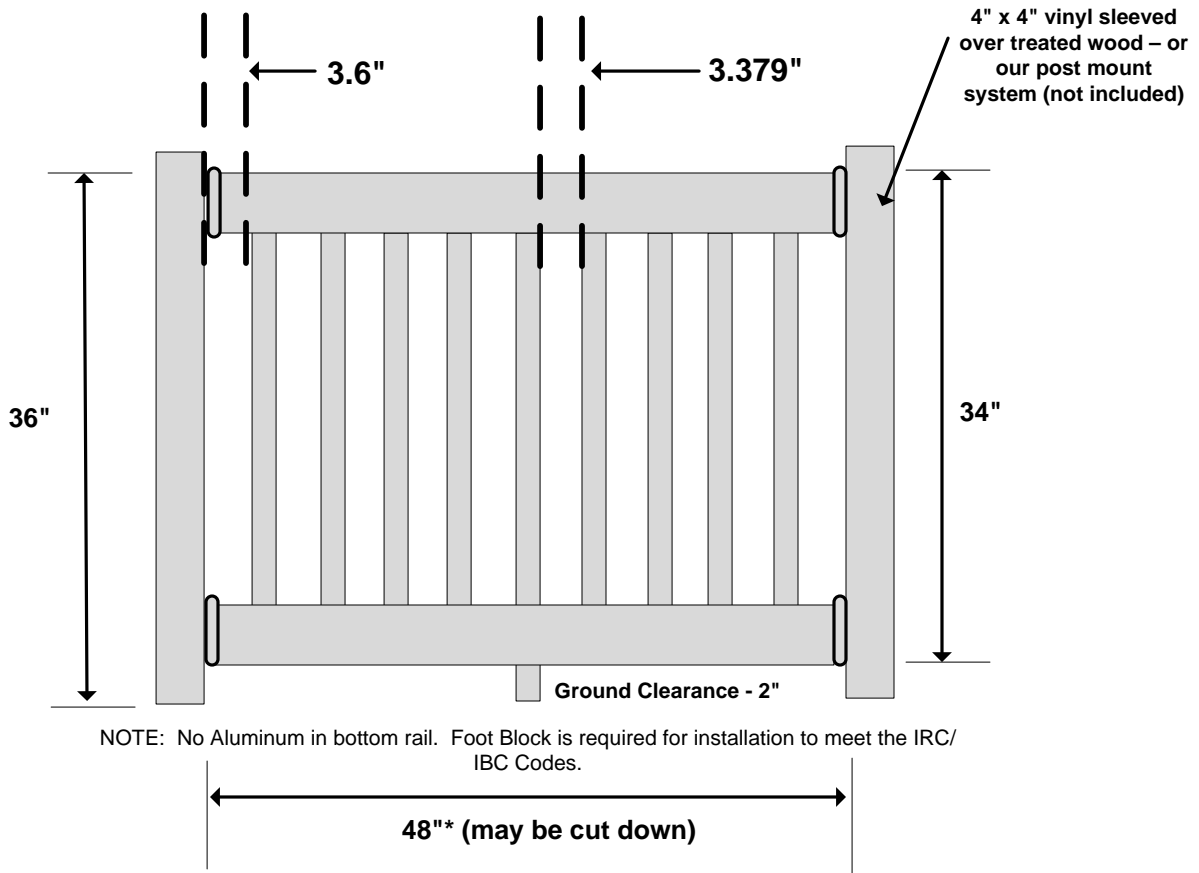


2" x 3.5" Top & Bottom Rail w/ .875" x 1.5" Pickets

Product Evaluation Report – PER-12049

4' Straight Railing Kit
CWR-R36-E4

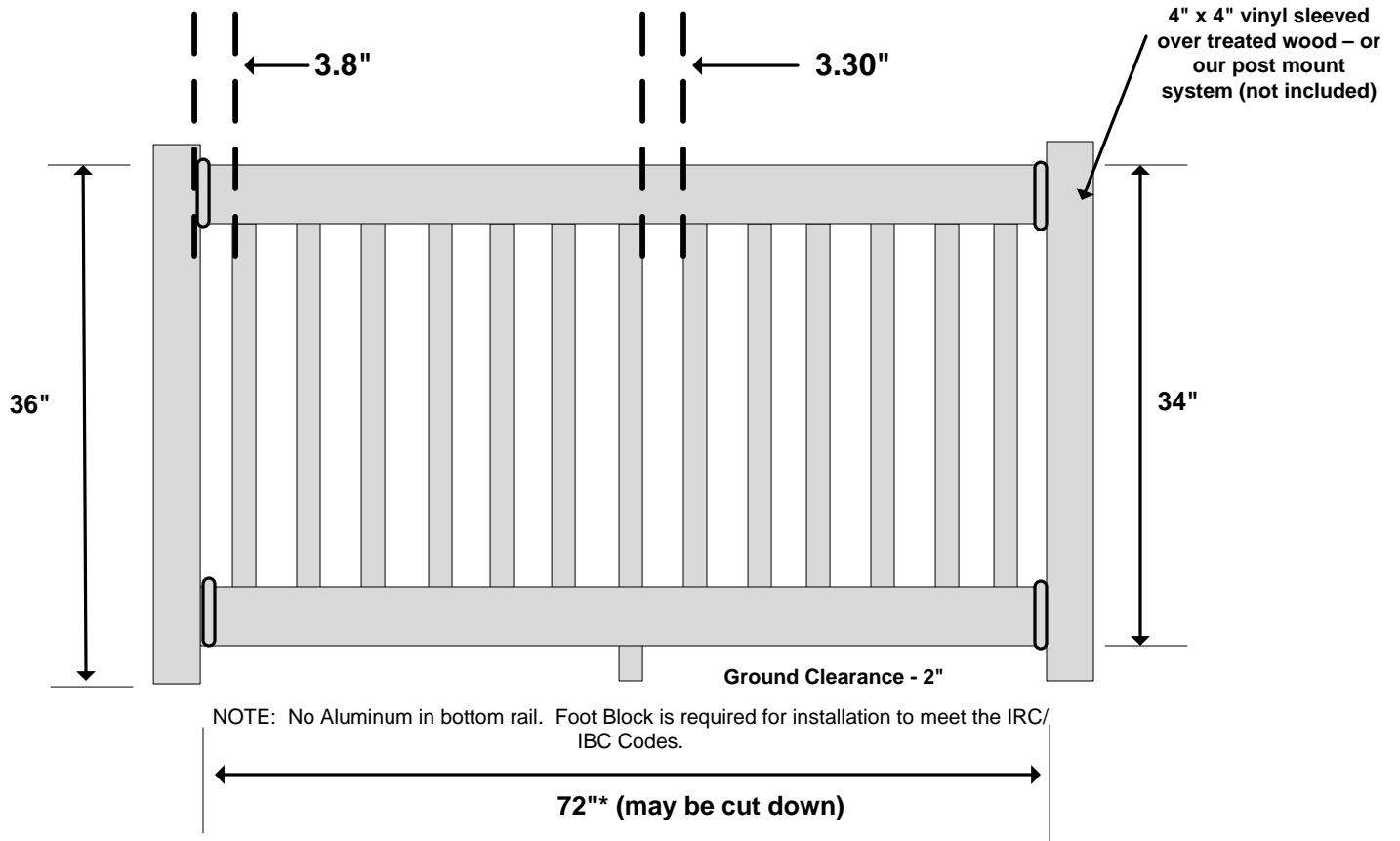


Material per 48" wide panel						
1	Number of Panels					
2	Rails	2" x 3.5" x 48"*				
1	Aluminum Channel	Fits into the top rail				
2	Straight Bkts (Pairs)	2" x 3.5" Straight Set - 1219				
9	Pickets	.875" x 1.5" x 32"*				
1	1.5" Foot Block	1.5" Foot block				
*Actual Measurements may vary						

2" x 3.5" Top & Bottom Rail w/ .875" x 1.5" Pickets

Product Evaluation Report – PER-12049

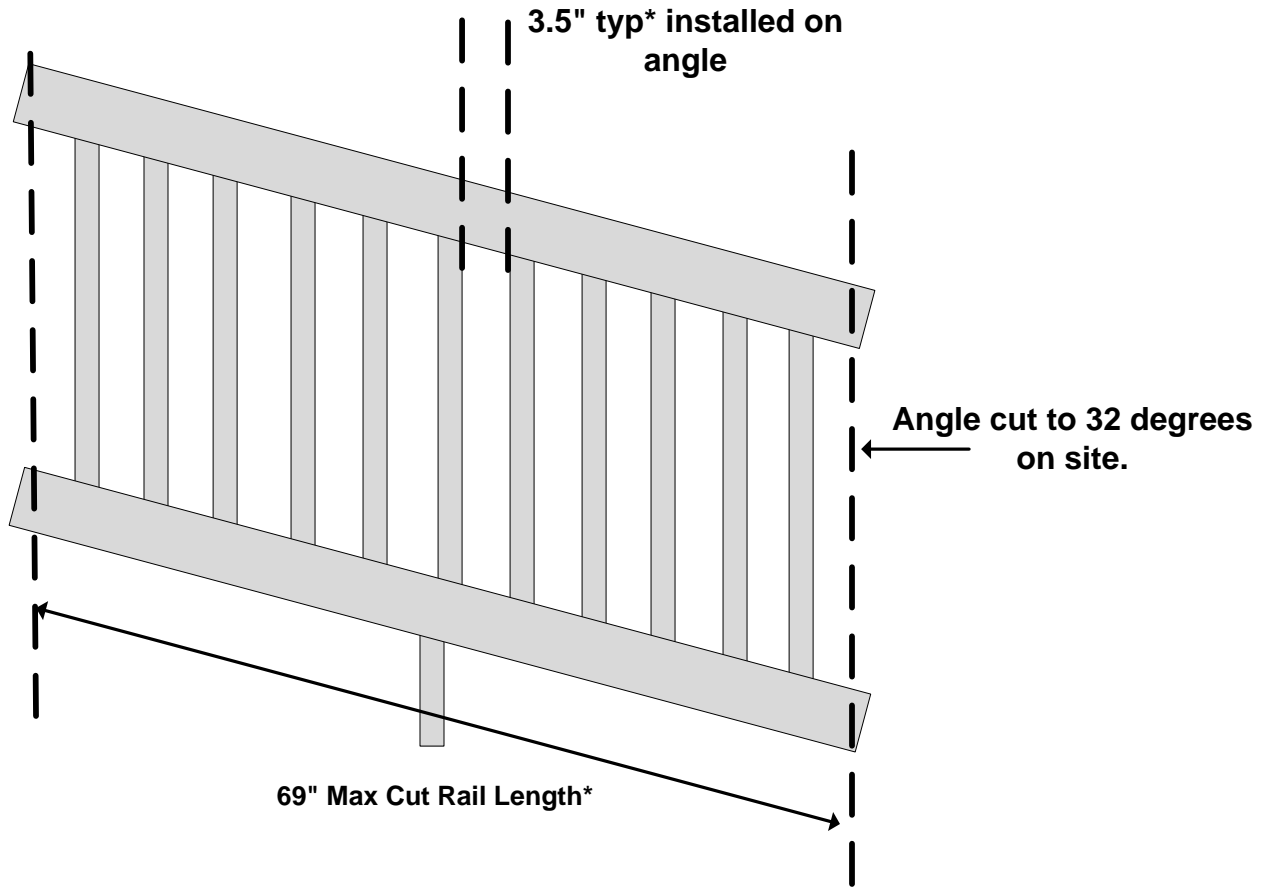
6' Straight Railing Kit
CWR-R36-E6



Material per 72" wide panel						
1	Number of Panels					
2	Rails	2" x 3.5" x 72"*				
1	Aluminum Channel	Fits into the top rail				
2	Straight Bkts (Pairs)	2" x 3.5" Straight Set - 1219				
14	Pickets	.875" x 1.5" x 32"*				
1	1.5" Foot Block	1.5" Foot block				
	*Actual Measurements may vary					

2" x 3.5" Top & Bottom Rail w/ .875" x 1.5"

6' Stair Railing Kit
CWR-R36-E6S

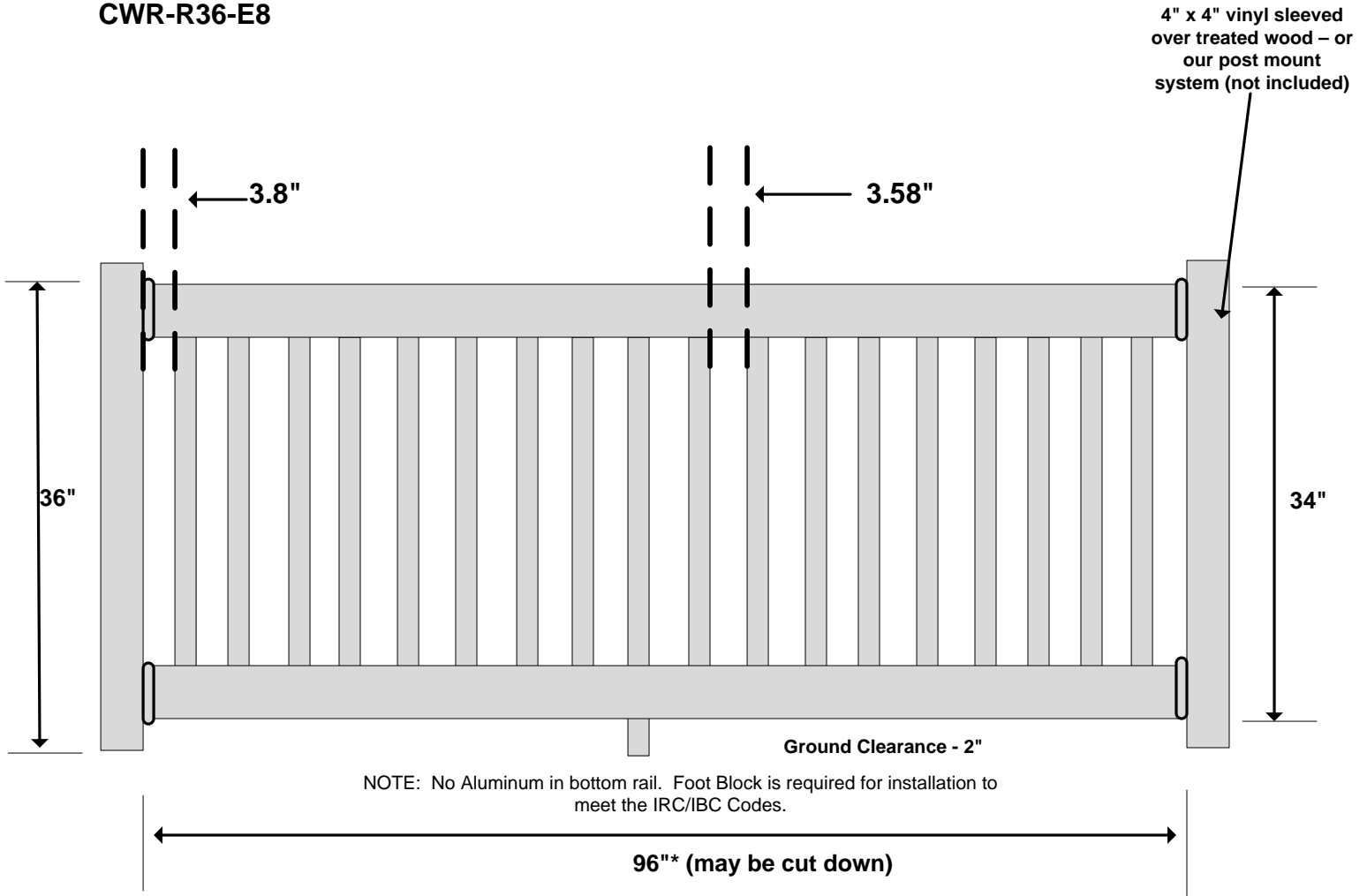


Material per 72" wide panel							
1	Number of Panels						
2	Rails	2" x 3.5" x 72"*					
2	6' Aluminum Channel	Fits in Top and Bottom Rail					
2	Stair Brackets (Pairs)	2" x 3.5" Stair Set - 1276					
11	Pickets	.875" x 1.5" x 32"*					
1	1.5" Foot Block	1.5" x 1.5" x 10.6"*					
*Actual Measurements may vary							

2" x 3.5" Top & Bottom Rail w/ .875" x 1.5" Pickets

Product Evaluation Report – PER-12049

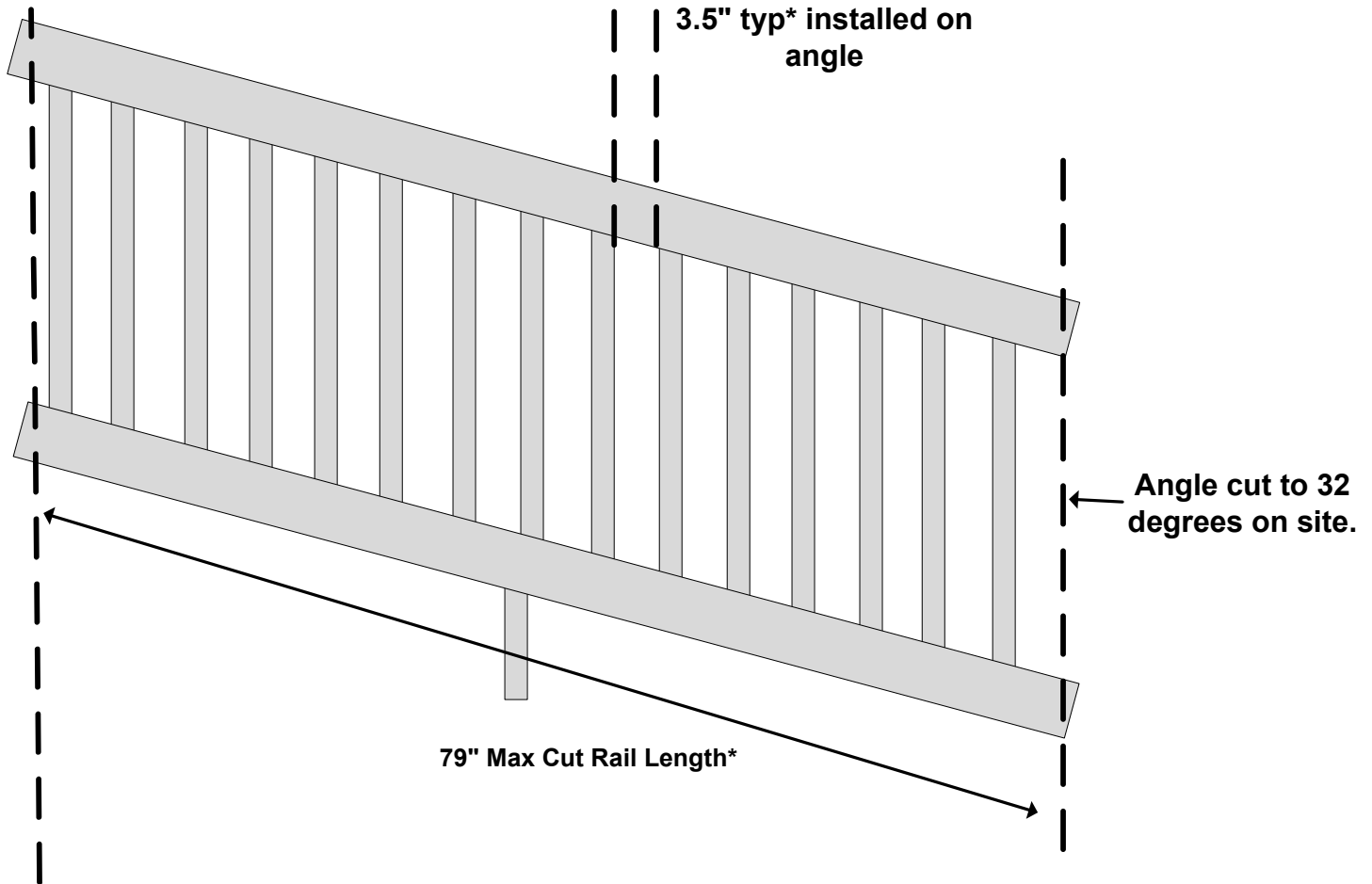
8' Straight Railing Kit
CWR-R36-E8



Material per 96" wide panel		
1	Number of Panels	
2	Rails	2" x 3.5" x 96"*
1	Aluminum Channel	Fits into the top rail
2	Straight Bkts (Pairs)	2" x 3.5" Straight Set - 1219
18	Pickets	.875" x 1.5" x 32"*
1	1.5" Foot Block	1.5" Foot block
*Actual Measurements may vary		

2" x 3.5" Top & Bottom Rail w/.875" x 1.5"

8' Stair Railing Kit
CWR-R36-E8S



Material per 96" wide panel

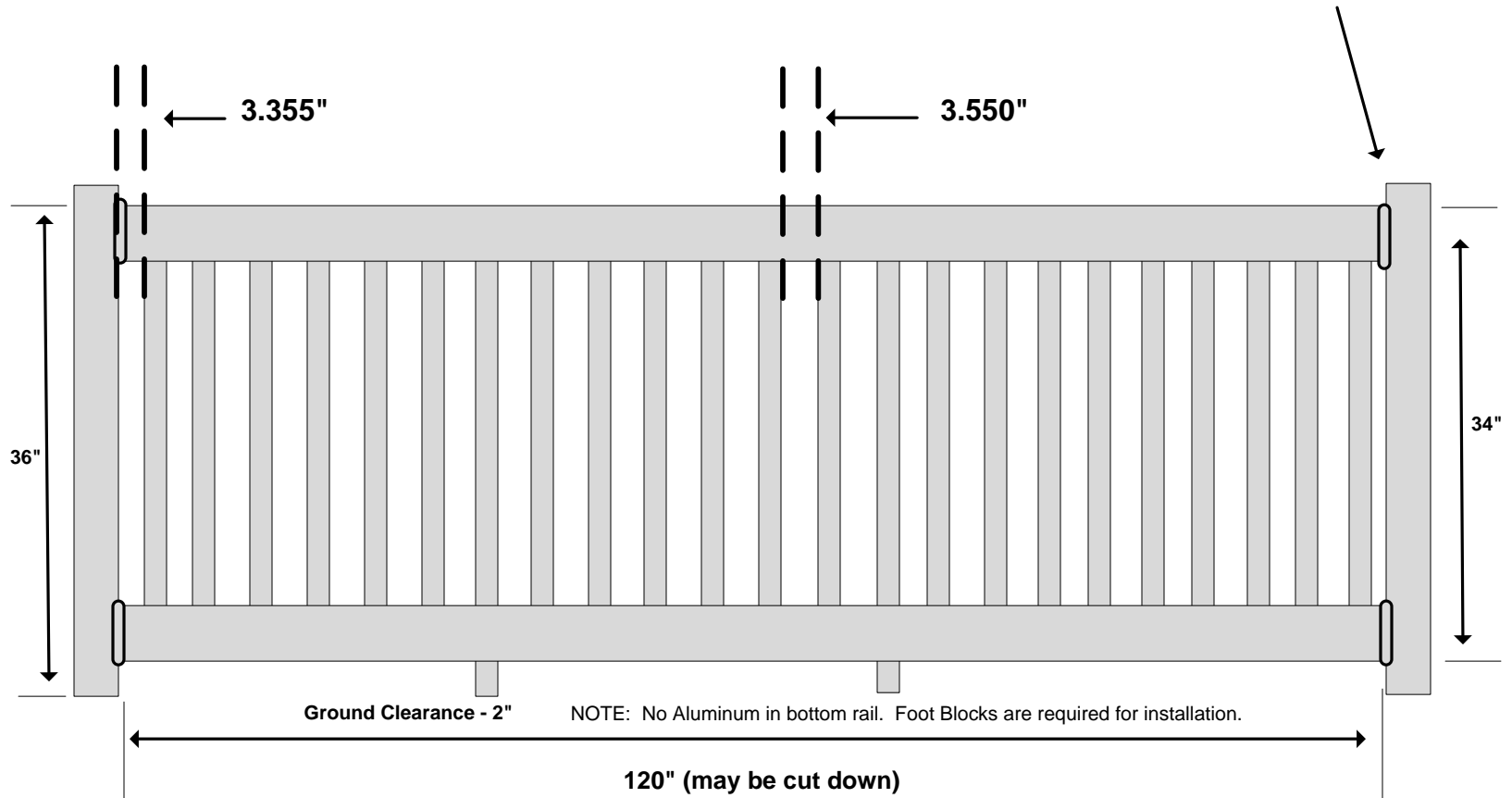
1	Number of Panels						
2	Rails	2" x 3.5" x 96"					
1	8' Aluminum Channel	Fits into Top Rail					
2	Stair Brackets (Pairs)	2" x 3.5" Stair Set - 1276					
15	Pickets	.875" x 1.5" x 32"					
1	1.5" Foot Block	1.5" x 1.5" x 10.6"					
	*Actual Measurements may vary						

2" x 3.5" Top & Bottom Rail w/ .875" x 1.5" Pickets

Product Evaluation Report - NOT CERTIFIED

10' Straight Railing Kit
CWR-R36-E10

4" x 4" vinyl sleeved
over treated wood – or
our post mount
system (not included)

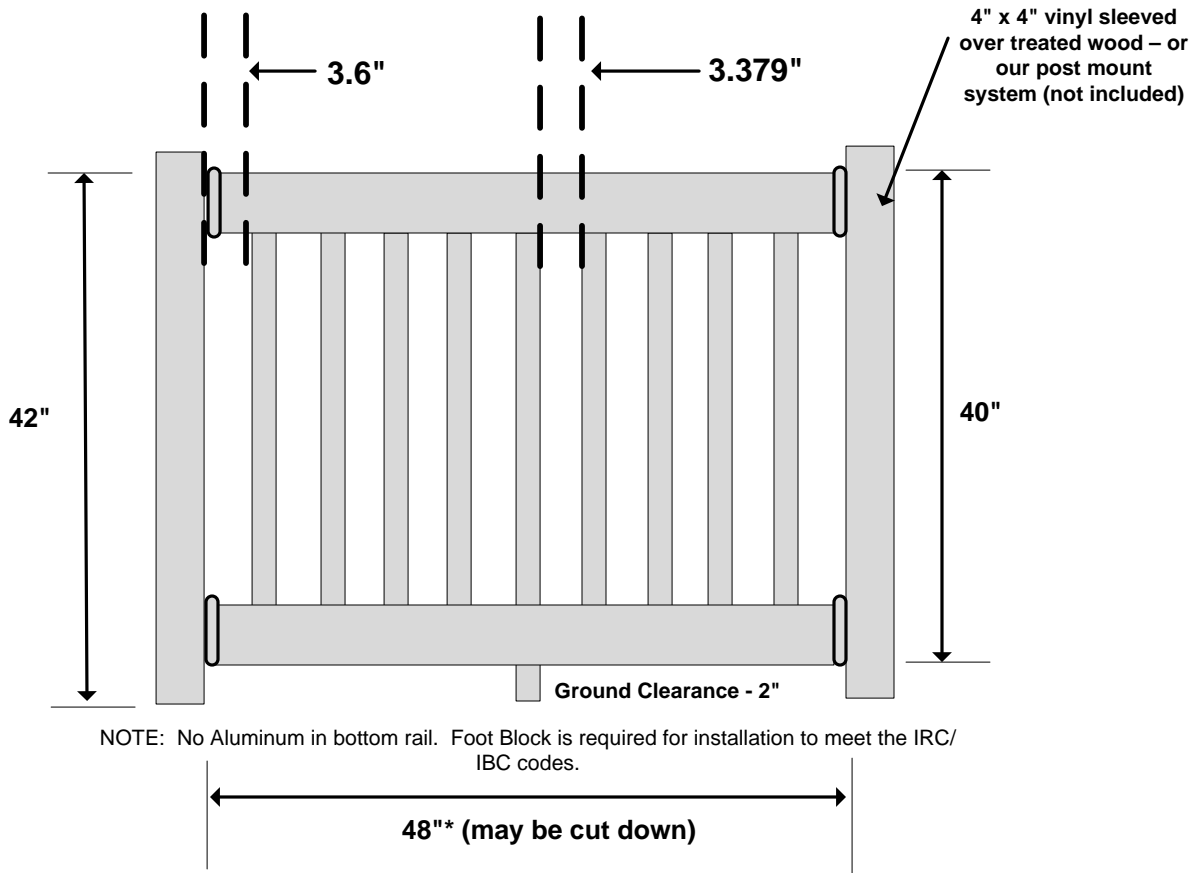


Material per 120" wide panel						
1	Number of Panels					
2	Rails	2" x 3.5" x 120"*				
1	Aluminum Channel	Fits into the top rail				
2	Straight Bkts (Pairs)	T-Rail & 2" x 3.5" Straight Set - 1182				
23	Pickets	.875" x 1.5" x 32"*				
2	1.5" Foot Block	1.5" Foot block				
	*Actual Measurements may vary					

2" x 3.5" Top & Bottom Rail w/ .875" x 1.5" Pickets

Product Evaluation Report – PER-12049

4' Straight Railing Kit
CWR-R42-E4



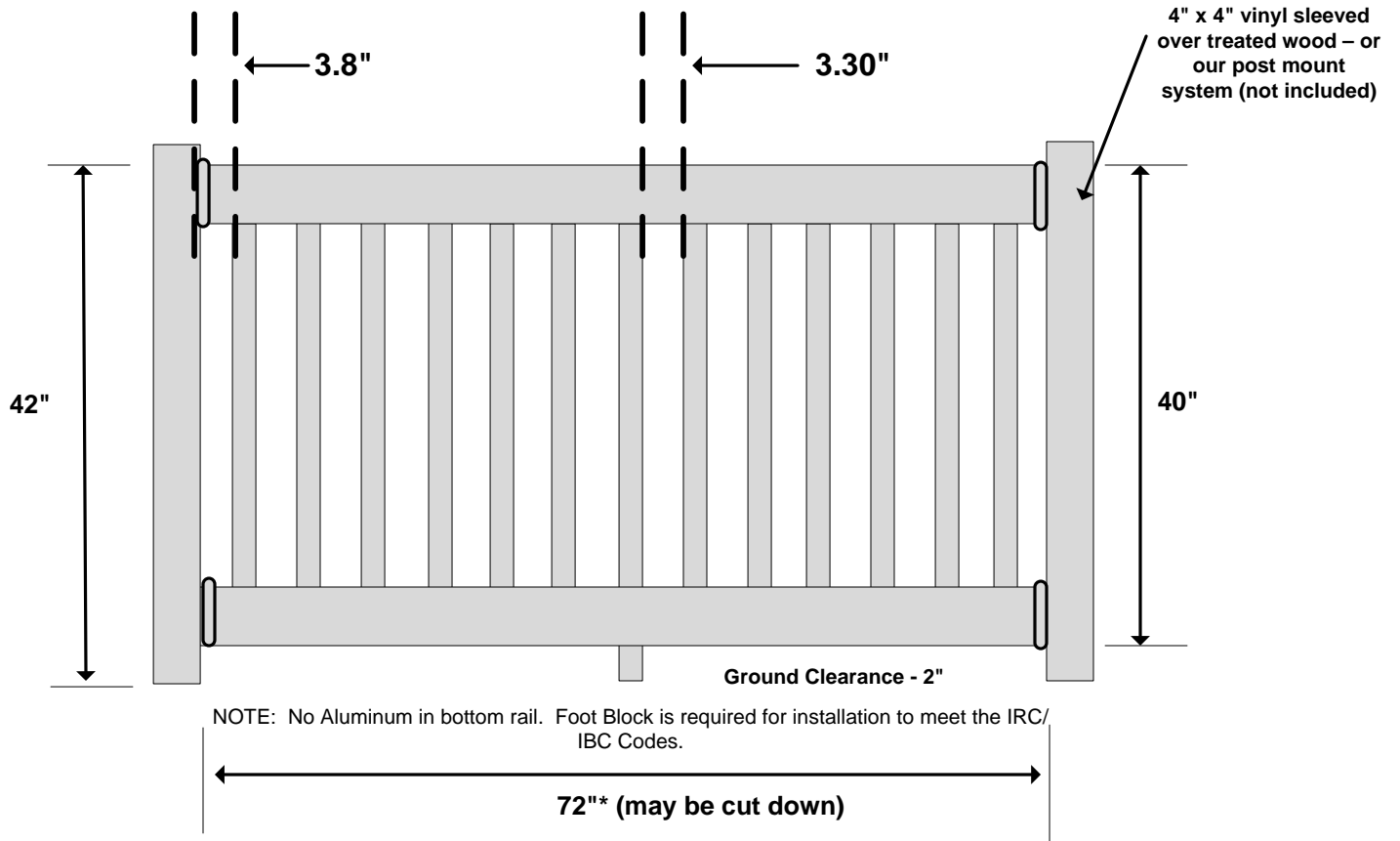
Material per 48" wide panel

1	Number of Panels					
2	Rails	2" x 3.5" x 48"*				
1	Aluminum Channel	Fits into the top rail				
2	Straight Bkts (Pairs)	2" x 3.5" Straight Set - 1219				
9	Pickets	.875" x 1.5" x 38"*				
1	1.5" Foot Block	1.5" Foot block				
	*Actual Measurements may vary					

2" x 3.5" Top & Bottom Rail w/ .875" x 1.5" Pickets

Product Evaluation Report – PER-12049

6' Straight Railing Kit
CWR-R42-E6

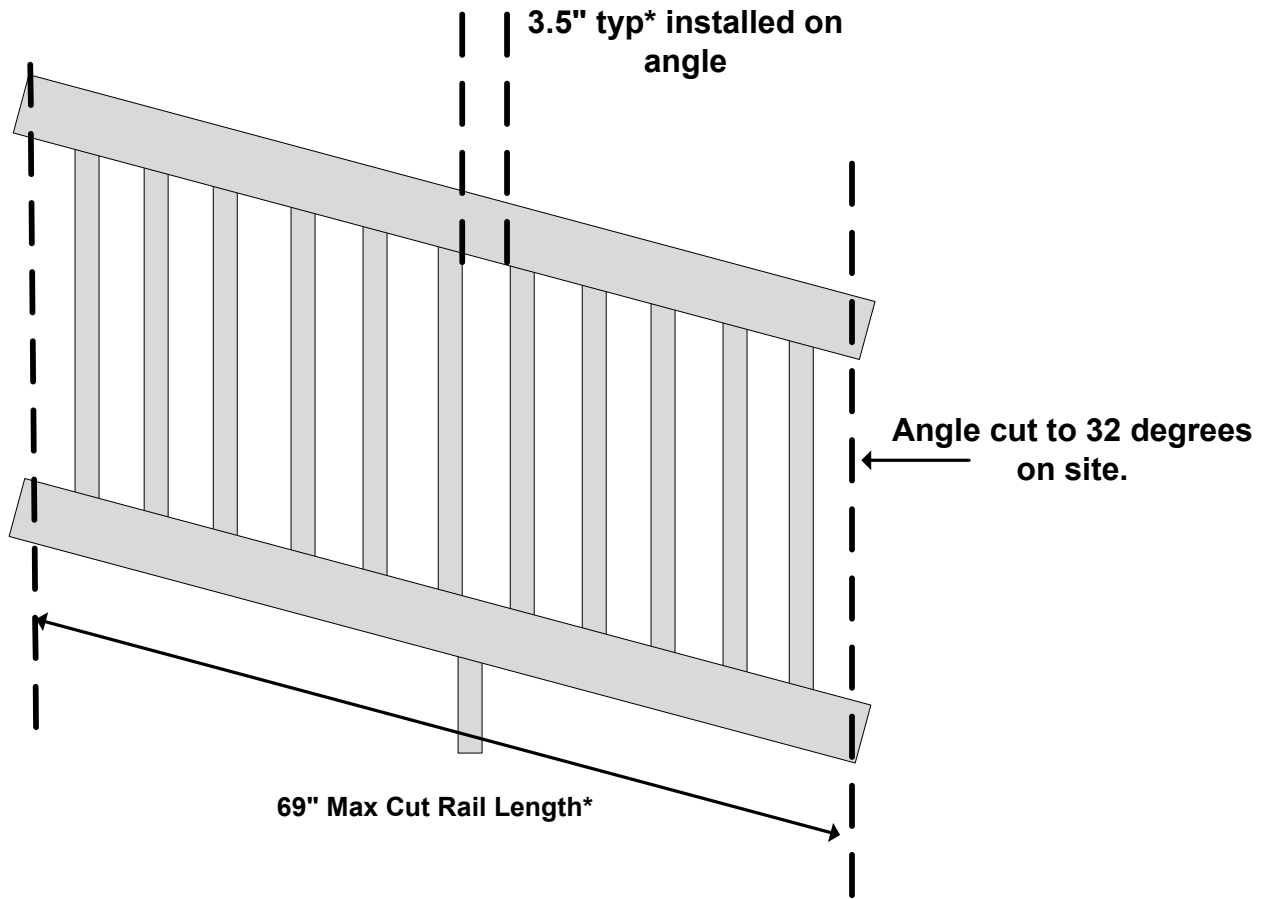


Material per 72" wide panel

1	Number of Panels					
2	Rails	2" x 3.5" x 72"*				
1	Aluminum Channel	Fits into the top rail				
2	Straight Bkts (Pairs)	2" x 3.5" Straight Set - 1219				
14	Pickets	.875" x 1.5" x 38"*				
1	1.5" Foot Block	1.5" Foot block				
	*Actual Measurements may vary					

2" x 3.5" Top & Bottom Rail w/ .875" x 1.5" Pickets

6' Stair Railing Kit
CWR-R42-E6S



Material per 72" wide panel

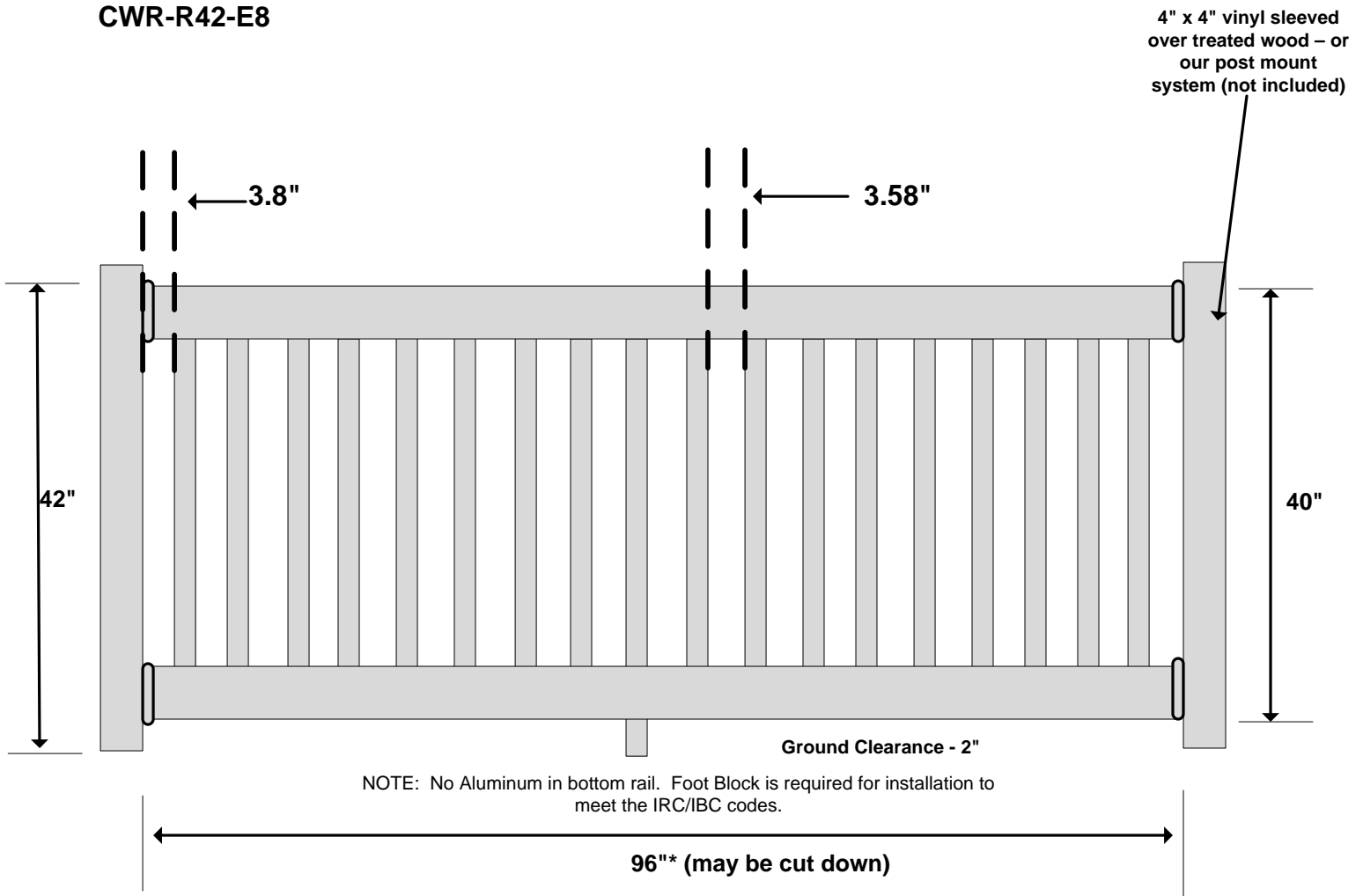
1	Number of Panels						
2	Rails	2" x 3.5" x 72"*					
1	6' Aluminum Channel	Fits in Top Rail					
2	Stair Brackets (Pairs)	2" x 3.5" Stair Set - 1276					
11	Pickets	.875" x 1.5" x 38"*					
1	1.5" Foot Block	1.5" x 1.5" x 10.6"*					
	*Actual Measurements may vary						

2" x 3.5" Top & Bottom Rail w/.875" x 1.5"

Product Evaluation Report – PER-12049

8' Straight Railing Kit

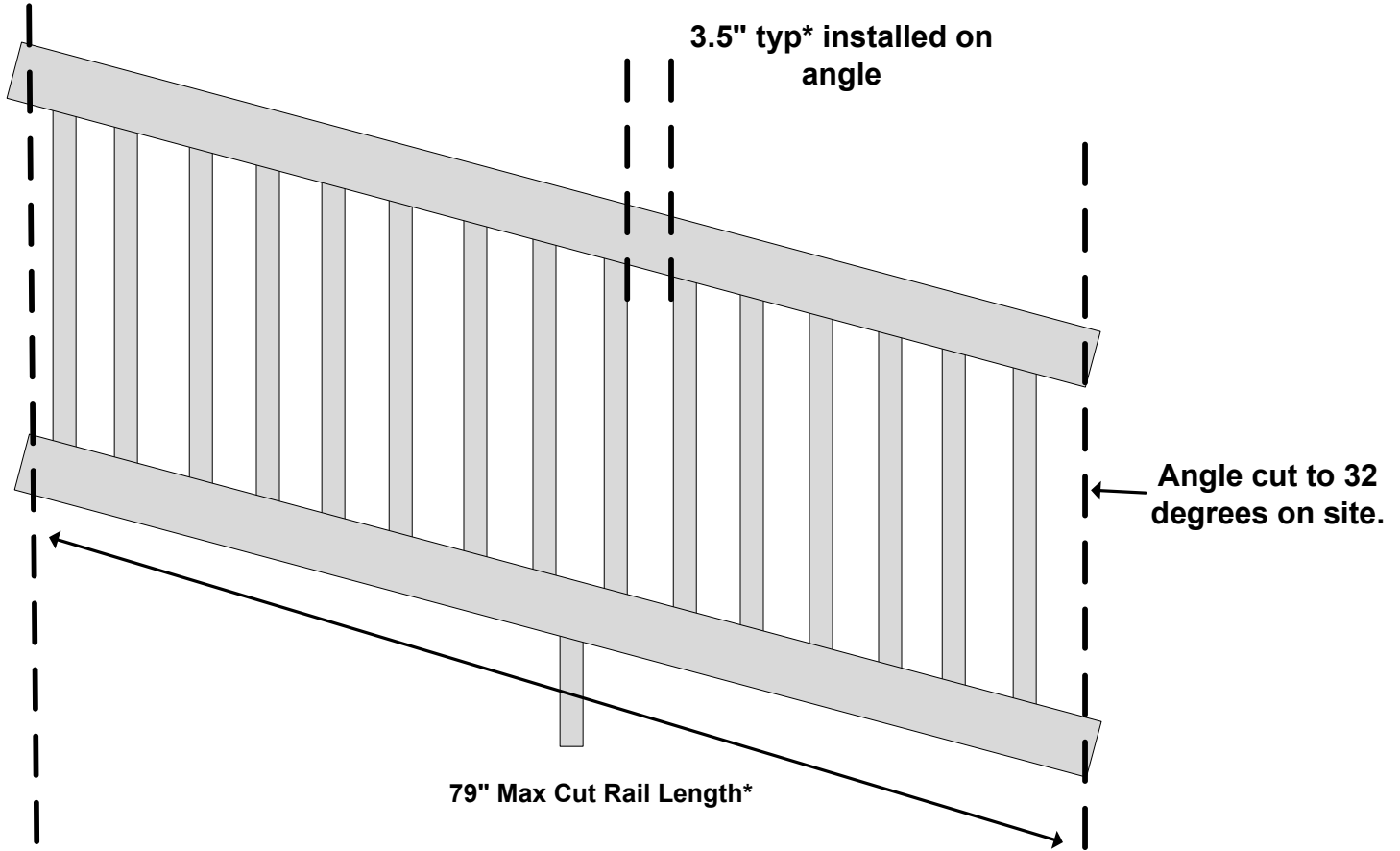
CWR-R42-E8



Material per 96" wide panel		
1	Number of Panels	
2	Rails	2" x 3.5" x 96"*
1	Aluminum Channel	Fits into the top rail
2	Straight Bkts (Pairs)	2" x 3.5" Straight Set - 1219
18	Pickets	.875" x 1.5" x 38"*
1	1.5" Foot Block	1.5" Foot block
*Actual Measurements may vary		

2" x 3.5" Top & Bottom Rail w/.875" x 1.5"

8' Stair Railing Kit
CWR-R42-E8S



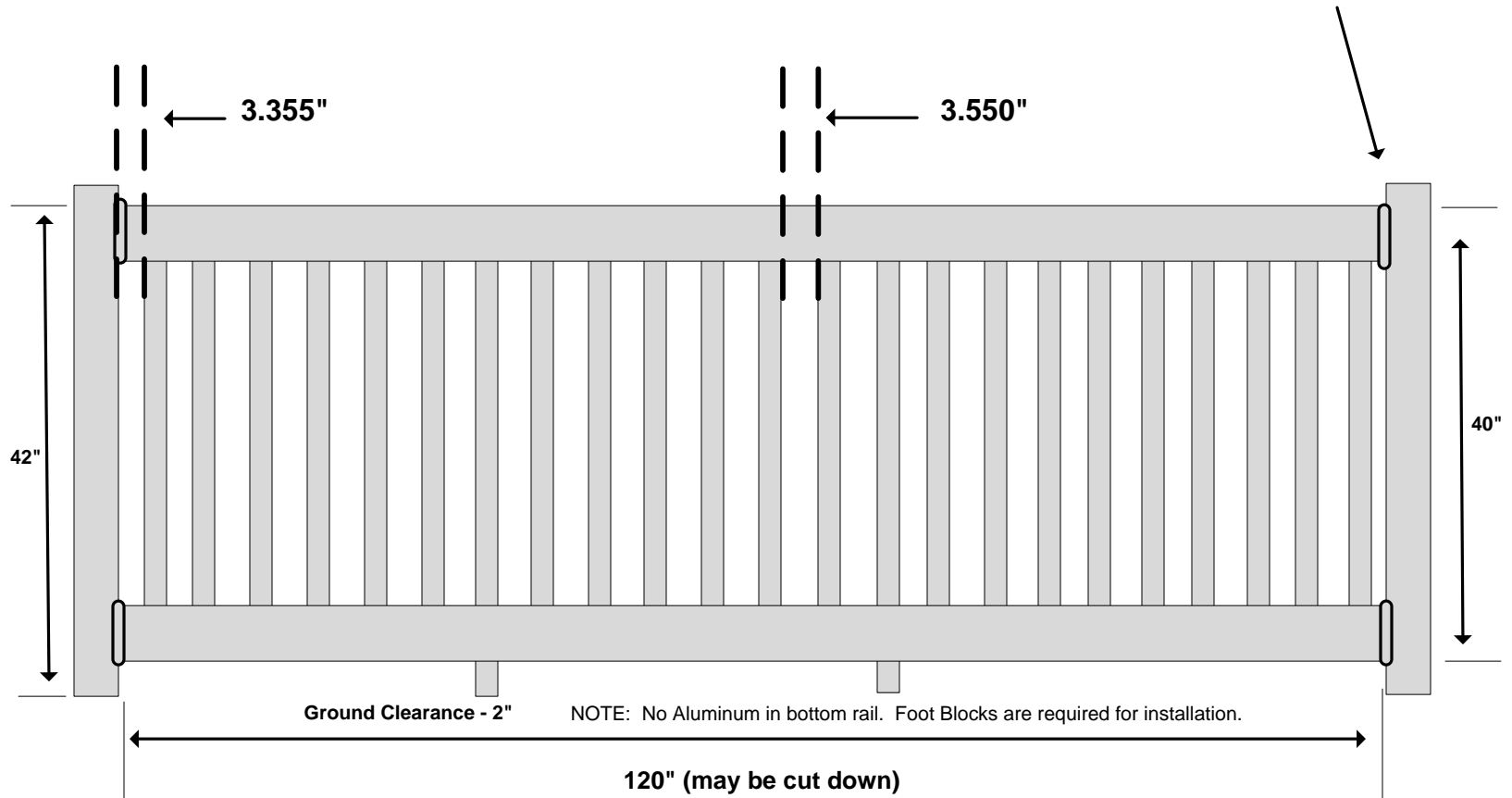
Material per 96" wide panel					
1	Number of Panels				
2	Rails	2" x 3.5" x 96"*			
1	8' Aluminum Channel	Fits in Top Rail			
2	Stair Brackets (Pairs)	2" x 3.5" Stair Set - 1276			
15	Pickets	.875" x 1.5" x 38"*			
1	1.5" Foot Block	1.5" x 1.5" x 10.6"*			
	*Actual Measurements may vary				

2" x 3.5" Top & Bottom Rail w/ .875" x 1.5" Pickets

Product Evaluation Report - NOT CERTIFIED

10' Straight Railing Kit
CWR-R42-E10

4" x 4" vinyl sleeved
over treated wood – or
our post mount
system (not included)



Material per 120" wide panel

1	Number of Panels					
2	Rails	2" x 3.5" x 120"*				
1	Aluminum Channel	Fits into the top rail				
2	Straight Bkts (Pairs)	2" x 3.5" Straight Set - 1219				
23	Pickets	.875" x 1.5" x 38"*				
2	1.5" Foot Block	1.5" Foot block				
	*Actual Measurements may vary					