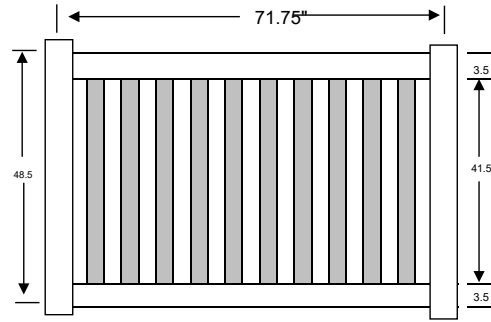


| 1 | | Material List | | Pulled From | | |
|-----|---------------------------|--------------------|--------|-------------|---------|--|
| Qty | Item | Dimension | White | Tan | Khaki | |
| 2 | Socket Post | 4" x 4" x 64.5" | 71.75" | 84" | 84" | |
| 2 | Post Caps | 4" x 4" | 4" | 4" | 4" | |
| 2 | Rails | 2" x 3.5" x 71.5" | 71.75" | 71.75" | 71.75" | |
| 1 | Mid Rail | 2" x 3.5" x 71.5" | 71.75" | 71.75" | 71.75" | |
| 1 | Aluminum | 1.5" x 3.25" x 71" | 71.5" | 71.5" | 71.5" | |
| 9 | Pickets | 0.875" x 3" x 59" | 59" | 59" | 193.25" | |
| 1 | Cross Brace | Cross Brace | 90" | 90" | 90" | |
| 1 | Cross Brace Screws & Caps | | | | | |
| 1 | Vinyl Fence Glue | | 1.5 Oz | 1.5 Oz | 1.5 Oz | |

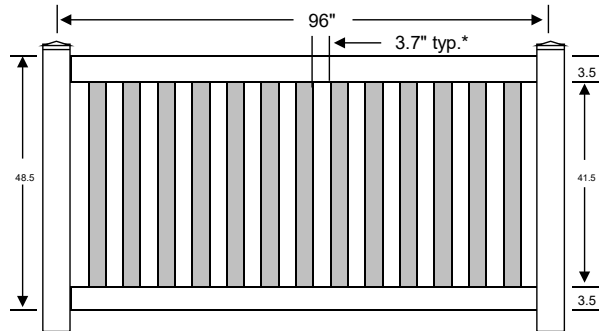
G_PO-3-5X72

P_PO-3-4 Master

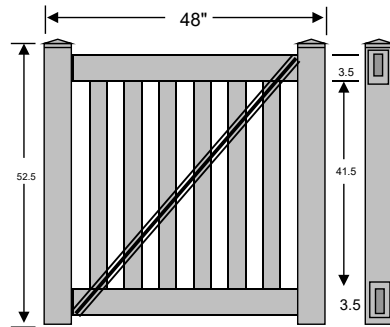
| | | | | | | |
|-------------------|----------------------|-------------|----------------------|--------------|------------|--------------|
| 1 | Material List | | Pulled From | | | |
| | Qty | Item | Dimension | White | Tan | Khaki |
| | 2 | Rails | 2" x 3.5" x 71.75" | 71.75" | 71.75" | 71.75" |
| | 1 | Aluminum | 1.5" x 3.25" x 71.5" | 71.5" | 71.5" | 71.5" |
| | 10 | Pickets | 0.875" x 3" x 47" | 47" | 47" | 47" |
| P_PO-3-4X6 | | | | | | |



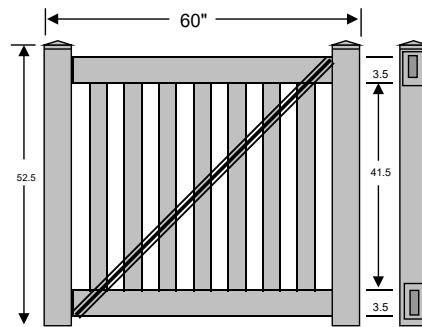
| | | | | | | |
|-------------------|----------------------|-------------|----------------------|--------------|------------|--------------|
| 1 | Material List | | Pulled From | | | |
| | Qty | Item | Dimension | White | Tan | Khaki |
| | 2 | Rails | 2" x 3.5" x 95.75" | 95.75" | 95.75" | 95.75" |
| | 1 | Aluminum | 1.5" x 3.25" x 95.5" | 95.5" | 95.5" | 95.5" |
| | 13 | Pickets | 0.875" x 3" x 47" | 47" | 47" | 47" |
| P_PO-3-4X8 | | | | | | |



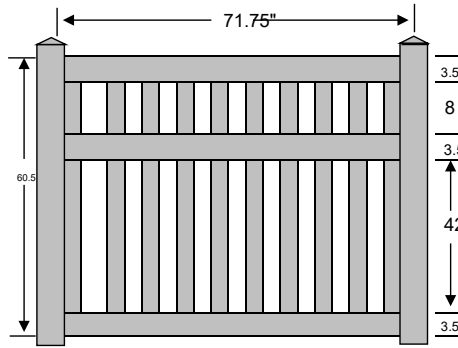
| | | | | | | |
|--------------------|----------------------|---------------------------|--------------------|--------------|------------|--------------|
| 1 | Material List | | Pulled From | | | |
| | Qty | Item | Dimension | White | Tan | Khaki |
| | 2 | Socket Post | 4" x 4" x 52.5" | 54" | 108" | 108" |
| | 2 | Post Caps | 4" x 4" | 4" | 4" | 4" |
| | 2 | Rails | 2" x 3.5" x 47.5" | 95.75" | 95.75" | 95.75" |
| | 1 | Aluminum | 1.5" x 3.25" x 47" | 95.5" | 95.5" | 95.5" |
| | 6 | Pickets | 0.875" x 3" x 47" | 47" | 47" | 47" |
| | 1 | Cross Brace | Cross Brace | 90" | 90" | 90" |
| | 1 | Vinyl Fence Glue | | 1.5 Oz | 1.5 Oz | 1.5 Oz |
| | 1 | Cross Brace Screws & Caps | | | | |
| G_PO-3-4X48 | | | | | | |



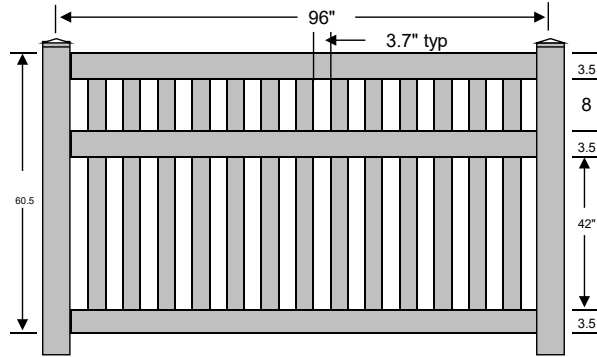
| | | | | | | |
|--------------------|----------------------|---------------------------|--------------------|--------------|------------|--------------|
| 1 | Material List | | Pulled From | | | |
| | Qty | Item | Dimension | White | Tan | Khaki |
| | 2 | Socket Post | 4" x 4" x 52.5" | 54" | 108" | 108" |
| | 2 | Post Caps | 4" x 4" | 4" | 4" | 4" |
| | 2 | Rails | 2" x 3.5" x 59.5" | 71.75" | 71.75" | 71.75" |
| | 1 | Aluminum | 1.5" x 3.25" x 59" | 71.5" | 71.5" | 71.5" |
| | 7 | Pickets | 0.875" x 3" x 47" | 47" | 47" | 47" |
| | 1 | Cross Brace | Cross Brace | 90" | 90" | 90" |
| | 1 | Vinyl Fence Glue | | 1.5 Oz | 1.5 Oz | 1.5 Oz |
| | 1 | Cross Brace Screws & Caps | | | | |
| G_PO-3-4X60 | | | | | | |



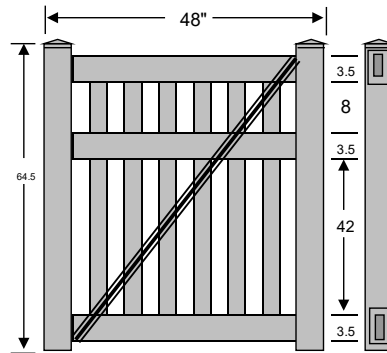
| 1 | | Material List | | | Pulled From | | |
|-------------------|-----------|--------------------|--------|--------|-------------|--|--|
| Qty | Item | Dimension | White | Tan | Khaki | | |
| 2 | T&B Rails | 2" x 3.5" x 71.5" | 71.75" | 71.75" | 71.75" | | |
| 1 | Mid Rail | 2" x 3.5" x 71.5" | 71.75" | 71.75" | 71.75" | | |
| 1 | Aluminum | 1.5" x 3.25" x 71" | 71.5" | 71.5" | 71.5" | | |
| 10 | Pickets | 0.875" x 3" x 59" | 59" | 59" | 193.25" | | |
| P_PO-3-5X6 | | | | | | | |



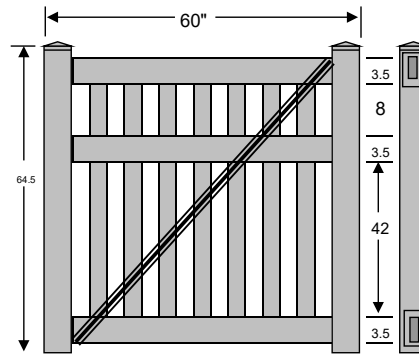
| 1 | | Material List | | | Pulled From | | |
|-------------------|-----------|----------------------|--------|--------|-------------|--|--|
| Qty | Item | Dimension | White | Tan | Khaki | | |
| 2 | T&B Rails | 2" x 3.5" x 95.75" | 95.75" | 95.75" | 95.75" | | |
| 1 | Mid Rail | 2" x 3.5" x 95.75" | 95.75" | 95.75" | 95.75" | | |
| 1 | Aluminum | 1.5" x 3.25" x 95.5" | 95.5" | 95.5" | 95.5" | | |
| 13 | Pickets | 0.875" x 3" x 59" | 59" | 59" | 193.25" | | |
| P_PO-3-5X8 | | | | | | | |



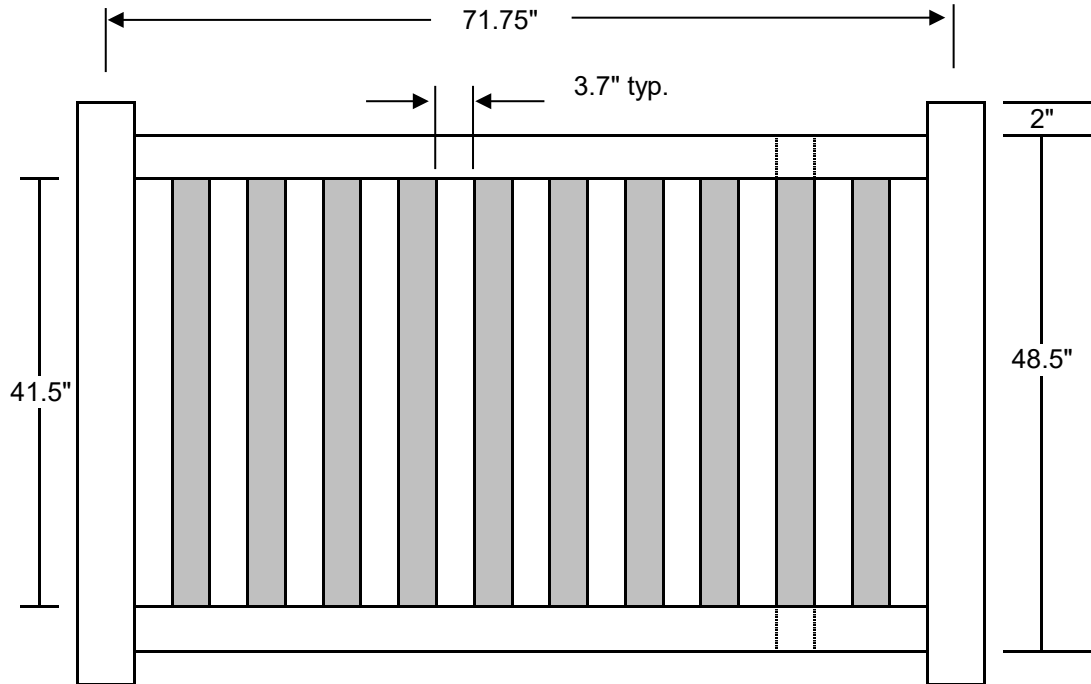
| 1 | | Material List | | | Pulled From | | |
|--------------------|---------------------------|--------------------|--------|--------|-------------|--|--|
| Qty | Item | Dimension | White | Tan | Khaki | | |
| 2 | Socket Post | 4" x 4" x 64.5" | 71.75" | 84" | 84" | | |
| 2 | Post Caps | 4" x 4" | 4" | 4" | 4" | | |
| 2 | T&B rails | 2" x 3.5" x 47.5" | 95.75" | 95.75" | 95.75" | | |
| 1 | Mid Rail | 2" x 3.5" x 47.5" | 95.75" | 95.75" | 95.75" | | |
| 1 | Aluminum | 1.5" x 3.25" x 47" | 95.5" | 95.5" | 95.5" | | |
| 6 | Pickets | 0.875" x 3" x 59" | 59" | 59" | 193.25" | | |
| 1 | Cross Brace | Cross Brace | 90" | 90" | 90" | | |
| 1 | Vinyl Fence Glue | | 1.5 Oz | 1.5 Oz | 1.5 Oz | | |
| 1 | Cross Brace Screws & Caps | | | | | | |
| G_PO-3-5X48 | | | | | | | |



| 1 | | Material List | | | Pulled From | | |
|--------------------|---------------------------|--------------------|--------|--------|-------------|--|--|
| Qty | Item | Dimension | White | Tan | Khaki | | |
| 2 | Socket Post | 4" x 4" x 64.5" | 71.75" | 84" | 84" | | |
| 2 | Post Caps | 4" x 4" | 4" | 4" | 4" | | |
| 2 | T&B Rails | 2" x 3.5" x 59.5" | 71.75" | 71.75" | 71.75" | | |
| 1 | Mid Rail | 2" x 3.5" x 59.5" | 71.75" | 71.75" | 71.75" | | |
| 1 | Aluminum | 1.5" x 3.25" x 59" | 71.5" | 71.5" | 71.5" | | |
| 7 | Pickets | 0.875" x 3" x 59" | 59" | 59" | 193.25" | | |
| 1 | Cross Brace | Cross Brace | 90" | 90" | 90" | | |
| 1 | Vinyl Fence Glue | | 1.5 OZ | 1.5 Oz | 1.5 Oz | | |
| 1 | Cross Brace Screws & Caps | | | | | | |
| G_PO-3-5X60 | | | | | | | |

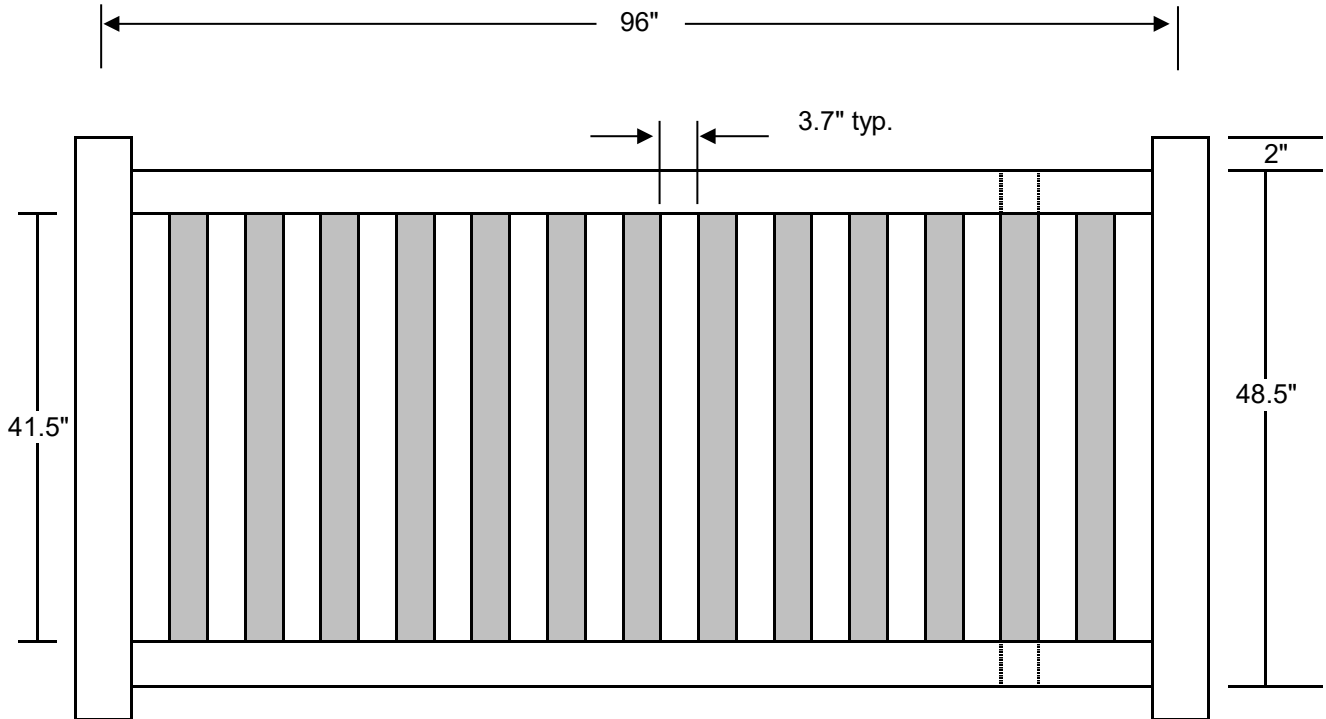


P_PO-3-4X6

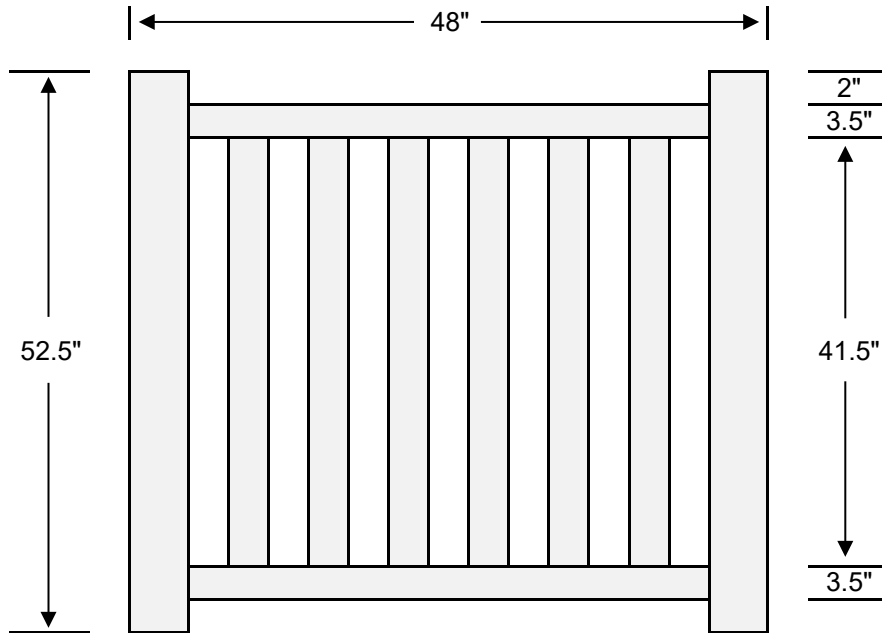


| 1 | Material List | | Pulled From | | |
|----|---------------|----------------------|-------------|--------|--------|
| | Qty | Item | Dimension | White | Tan |
| 2 | Rails | 2" x 3.5" x 71.75" | 71.75" | 71.75" | 71.75" |
| 1 | Aluminum | 1.5" x 3.25" x 71.5" | 71.5" | 71.5" | 71.5" |
| 10 | Pickets | 0.875" x 3" x 47" | 47" | 47" | 47" |

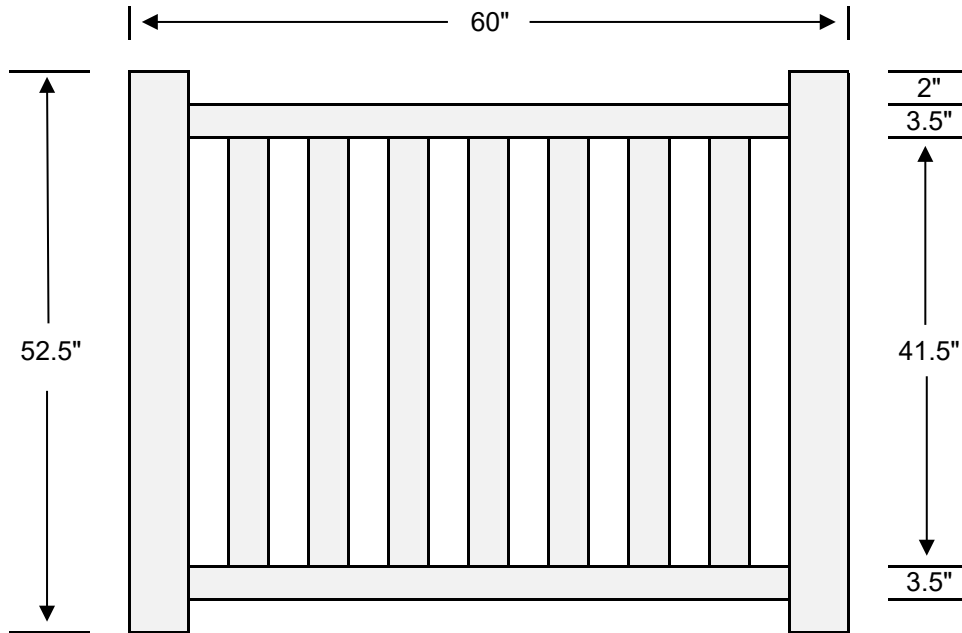
P_PO-3-4X6



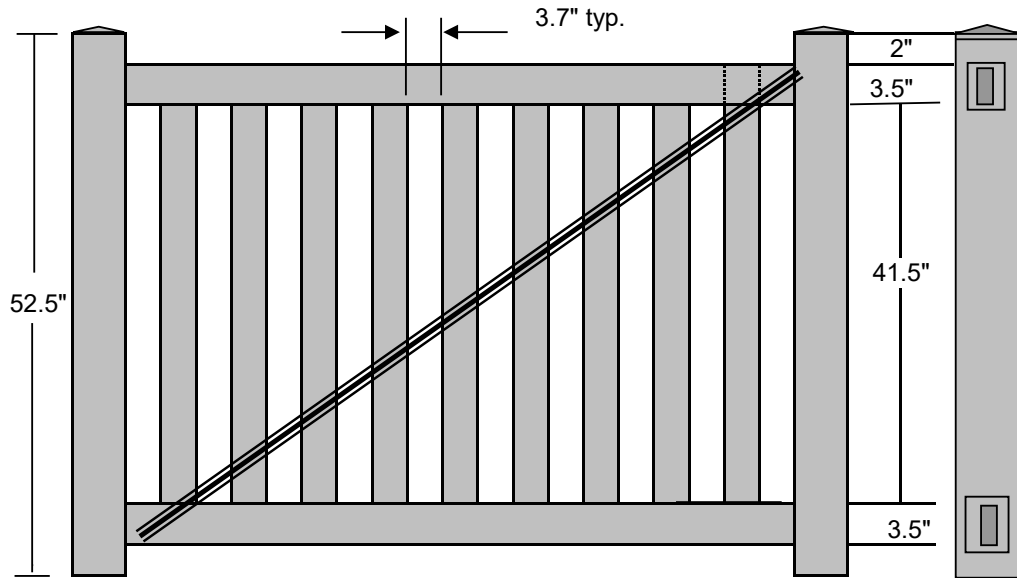
| 1 | Material List | | Pulled From | | |
|-------------------|---------------|----------------------|-------------|--------|--------|
| | Qty | Item | Dimension | White | Tan |
| 2 | Rails | 2" x 3.5" x 95.75" | 95.75" | 95.75" | 95.75" |
| 1 | Aluminum | 1.5" x 3.25" x 95.5" | 95.5" | 95.5" | 95.5" |
| 13 | Pickets | 0.875" x 3" x 47" | 47" | 47" | 47" |
| P_PO-3-4X8 | | | | | |



| 1 | Material List | | Pulled From | | |
|---|---------------------------|--------------------|--------------------|--------|--------|
| | QTY | Item | Dimensions | White | Tan |
| 2 | Socket Post | 4" x 4" x 52.5" | 54" | 108" | 108" |
| 2 | Post Caps | 4" x 4" | 4" | 4" | 4" |
| 1 | Top Rail | 2" x 3.5" x 47.5" | 95.75" | 95.75" | 95.75" |
| 1 | Bottom Rail | 2" x 3.5" x 47.5" | 95.75" | 95.75" | 95.75" |
| 1 | Aluminum | 1.5" x 3.25" x 47" | 95.5" | 95.5" | 95.5" |
| 6 | Pickets | 0.875" x 3" x 47" | 47" | 47" | 47" |
| 1 | Cross Brace | Cross Brace | 90" | 90" | 90" |
| 1 | Vinyl Fence Glue | | 1.5 Oz | 1.5 Oz | 1.5 Oz |
| 1 | Cross Brace Screws & Caps | | | | |
| | | | G_PO-3-4X48 | | |



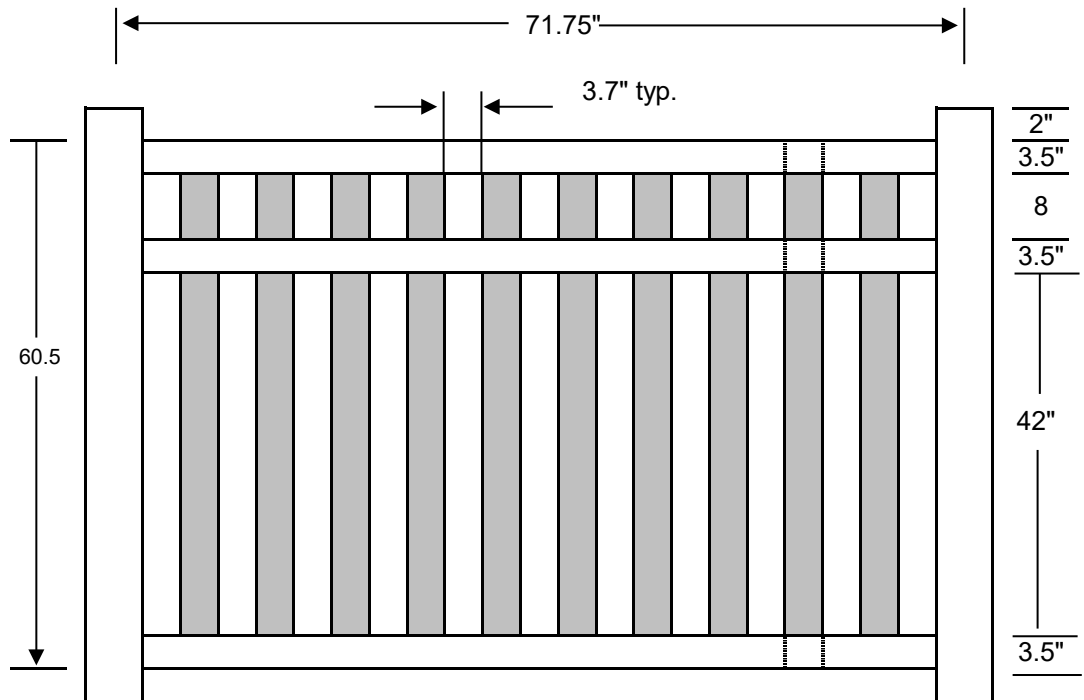
| 1 | Material List | | Pulled From | | |
|---|---------------------------|--------------------|--------------------|--------|--------|
| | QTY | Item | Dimensions | White | Tan |
| 2 | Socket Post | 4" x 4" x 52.5" | 54" | 108" | 108" |
| 2 | Post Caps | 4" x 4" | 4" | 4" | 4" |
| 1 | Top Rail | 2" x 3.5" x 59.5" | 71.75" | 71.75" | 71.75" |
| 1 | Bottom Rail | 2" x 3.5" x 59.5" | 71.75" | 71.75" | 71.75" |
| 1 | Aluminum | 1.5" x 3.25" x 59" | 71.5" | 71.5" | 71.5" |
| 7 | Pickets | 0.875" x 3" x 47" | 47" | 47" | 47" |
| 1 | Cross Brace | Cross Brace | 90" | 90" | 90" |
| 1 | Vinyl Fence Glue | | 1.5 Oz | 1.5 Oz | 1.5 Oz |
| 1 | Cross Brace Screws & Caps | | | | |
| | | | G_PO-3-4X60 | | |



| 1 | | Material List | | Pulled From | | |
|-----|---------------------------|--------------------|--------|-------------|--------|--|
| Qty | Item | Dimension | White | Tan | Khaki | |
| 2 | Socket Post | 4" x 4" x 52.5" | 54" | 108" | 108' | |
| 2 | Post Caps | 4" x 4" | 4" | 4" | 4" | |
| 2 | Rails | 2" x 3.5" x 71.5" | 71.75" | 71.75" | 71.75" | |
| 1 | Aluminum | 1.5" x 3.25" x 71" | 71.5" | 71.5" | 71.5" | |
| 9 | Pickets | 0.875" x 3" x 47" | 47" | 47" | 47" | |
| 1 | Cross Brace | Cross Brace | 90" | 90" | 90" | |
| 1 | Cross Brace Screws & Caps | | | | | |
| 1 | Vinyl Fence Glue | | 1.5 Oz | 1.5 Oz | 1.5 Oz | |

G_PO-3-4X72

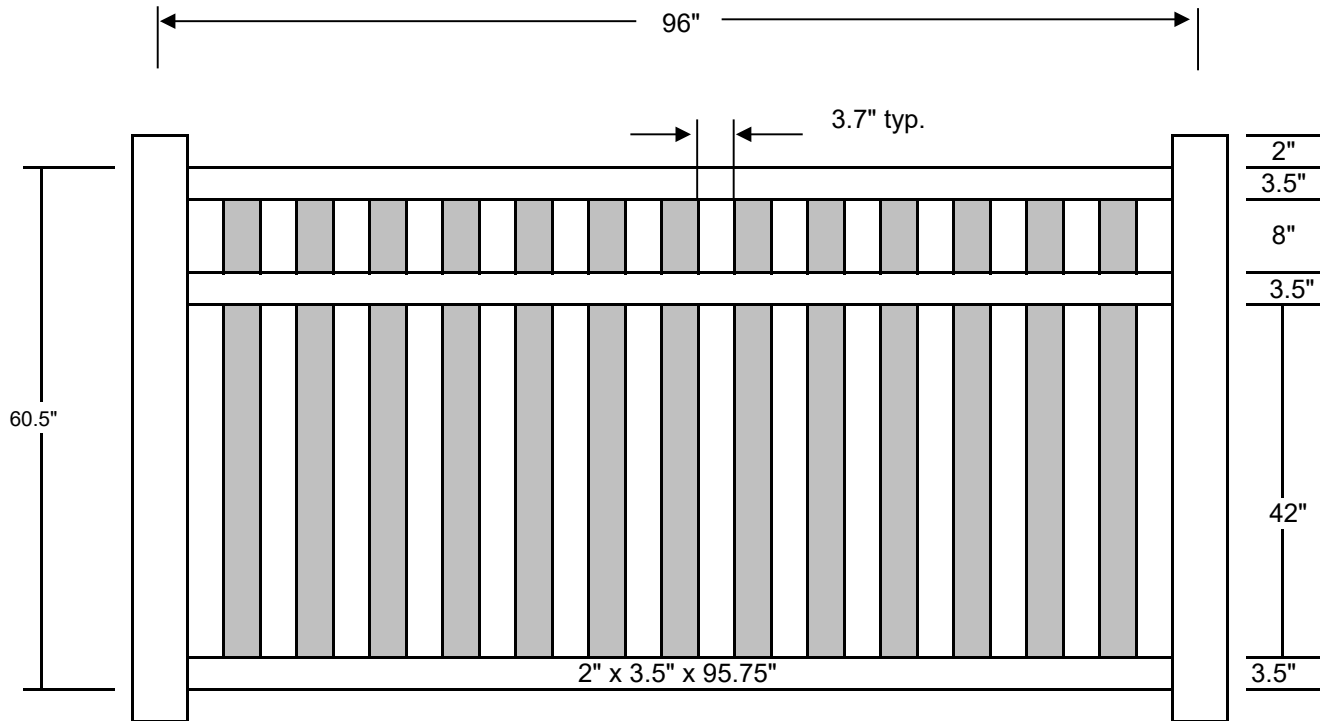
P_PO-3-5X6



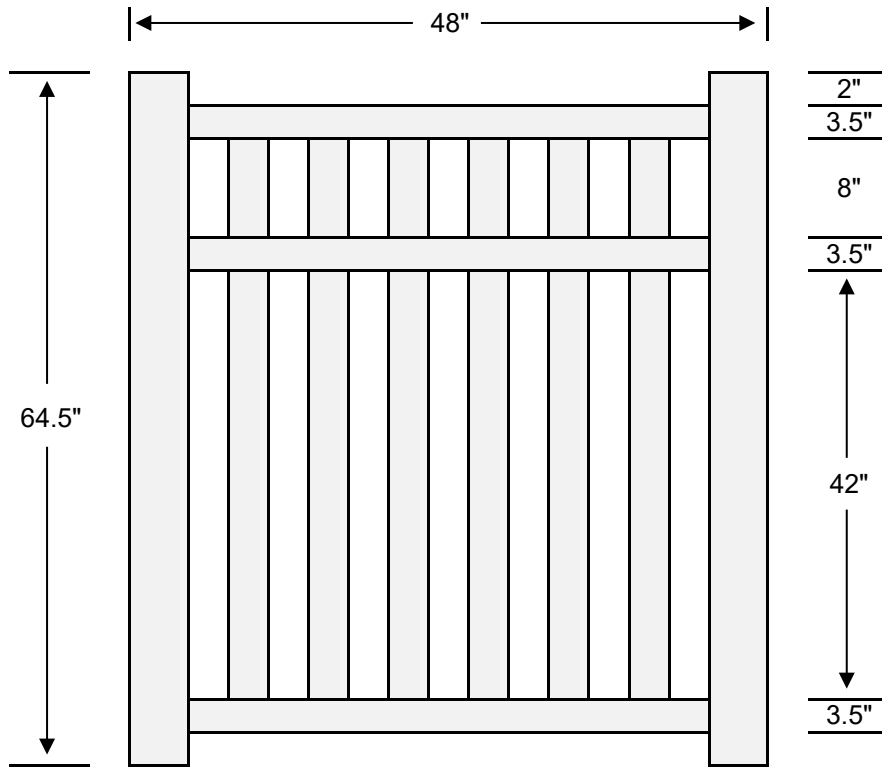
| 1 | Material List | | Pulled From | | |
|----|---------------|----------------------|-------------|--------|---------|
| | Qty | Item | Dimension | White | Tan |
| 2 | Rails | 2" x 3.5" x 71.75" | 71.75" | 71.75" | 71.75" |
| 1 | Mid Rail | 2" x 3.5" x 71.75" | 71.75" | 71.75" | 71.75" |
| 1 | Aluminum | 1.5" x 3.25" x 71.5" | 71.5" | 71.5" | 71.5" |
| 10 | Pickets | 0.875" x 3" x 59" | 59" | 59" | 193.25" |

P_PO-3-5X6

P_PO-3-5X8

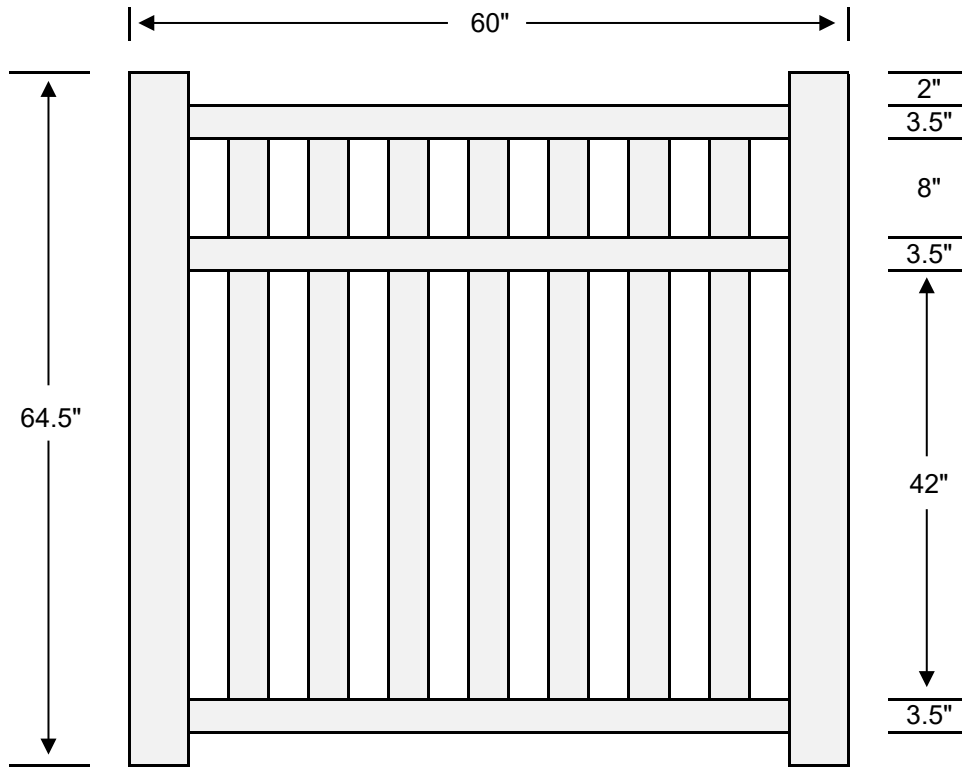


| 1 | | Material List | | Pulled From | | |
|-------------------|----------|----------------------|--------|-------------|---------|--|
| Qty | Item | Dimension | White | Tan | Khaki | |
| 2 | Rails | 2" x 3.5" x 95.75" | 95.75" | 95.75" | 95.75" | |
| 1 | Mid Rail | 2" x 3.5" x 95.75" | 95.75" | 95.75" | 95.75" | |
| 1 | Aluminum | 1.5" x 3.25" x 95.5" | 95.5" | 95.5" | 95.5" | |
| 13 | Pickets | 0.875" x 3" x 59" | 59" | 59" | 193.25" | |
| P_PO-3-5X8 | | | | | | |



| 1 | Material List | | Pulled From | | |
|---|---------------------------|--------------------|--------------------|--------|---------|
| | QTY | Item | Dimensions | White | Tan |
| 2 | Socket Post | 4" x 4" x 64.5" | 71.75" | 84" | 84" |
| 2 | Post Caps | 4" x 4" | 4" | 4" | 4" |
| 1 | Top Rail | 2" x 3.5" x 47.5" | 95.75" | 95.75" | 95.75" |
| 1 | Mid Rail | 2" x 3.5" x 47.5" | 95.75" | 95.75" | 95.75" |
| 1 | Bottom Rail | 2" x 3.5" x 47.5" | 95.75" | 95.75" | 95.75" |
| 1 | Aluminum | 1.5" x 3.25" x 47" | 95.5" | 95.5" | 95.5" |
| 6 | Pickets | 0.875" x 3" x 59" | 59" | 59" | 193.25" |
| 1 | Cross Brace | Cross Brace | 90" | 90" | 90" |
| 1 | Vinyl Fence Glue | | 1.5 Oz | 1.5 Oz | 1.5 Oz |
| 1 | Cross Brace Screws & Caps | | | | |
| | | | G_PO-3-5X48 | | |

G_PO-3-5X60



| 1 | Material List | | Pulled From | | |
|---|---------------------------|--------------------|--------------------|--------|---------|
| | QTY | Item | Dimensions | White | Tan |
| 2 | Socket Post | 4" x 4" x 64.5" | 71.75" | 84" | 84" |
| 2 | Post Caps | 4" x 4" | 4" | 4" | 4" |
| 1 | Top Rail | 2" x 3.5" x 59.5" | 71.75" | 71.75" | 71.75" |
| 1 | Mid Rail | 2" x 3.5" x 59.5" | 71.75" | 71.75" | 71.75" |
| 1 | Bottom Rail | 2" x 3.5" x 59.5" | 71.75" | 71.75" | 71.75" |
| 1 | Aluminum | 1.5" x 3.25" x 59" | 71.5" | 71.5" | 71.5" |
| 7 | Pickets | 0.875" x 3" x 59" | 59" | 59" | 193.25" |
| 1 | Cross Brace | Cross Brace | 90" | 90" | 90" |
| 1 | Vinyl Fence Glue | | 1.5 Oz | 1.5 Oz | 1.5 Oz |
| 1 | Cross Brace Screws & Caps | | | | |
| | | | G_PO-3-5X60 | | |