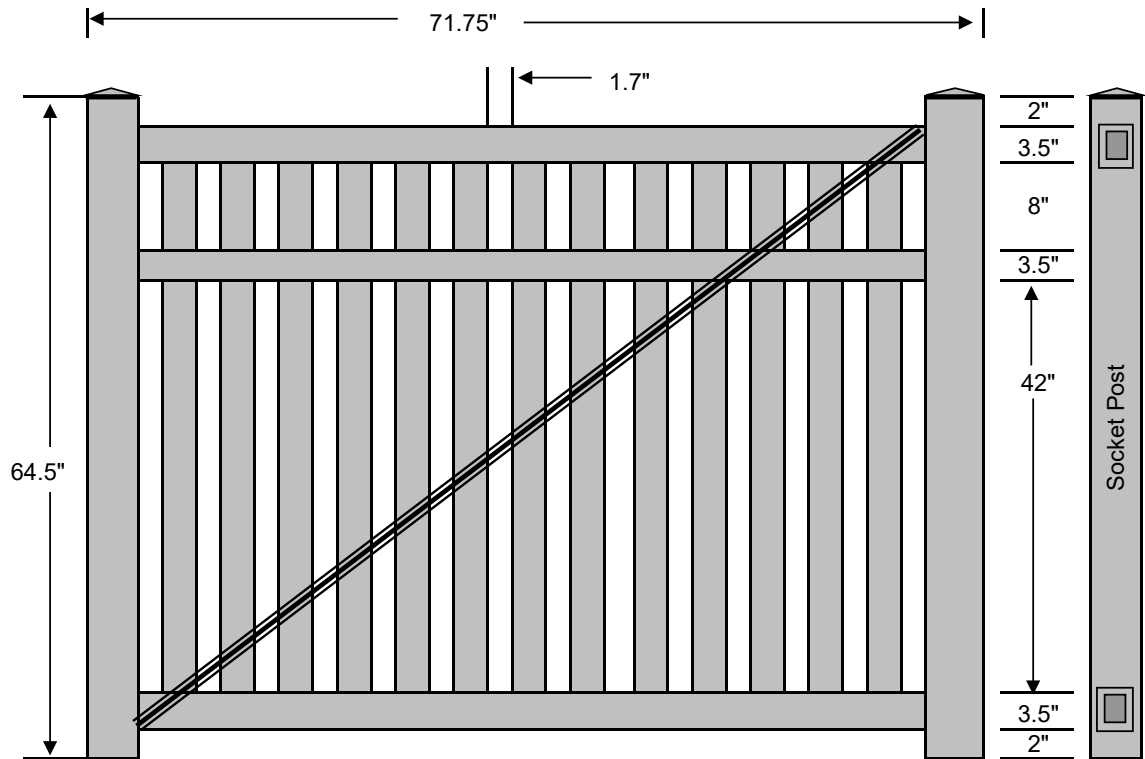


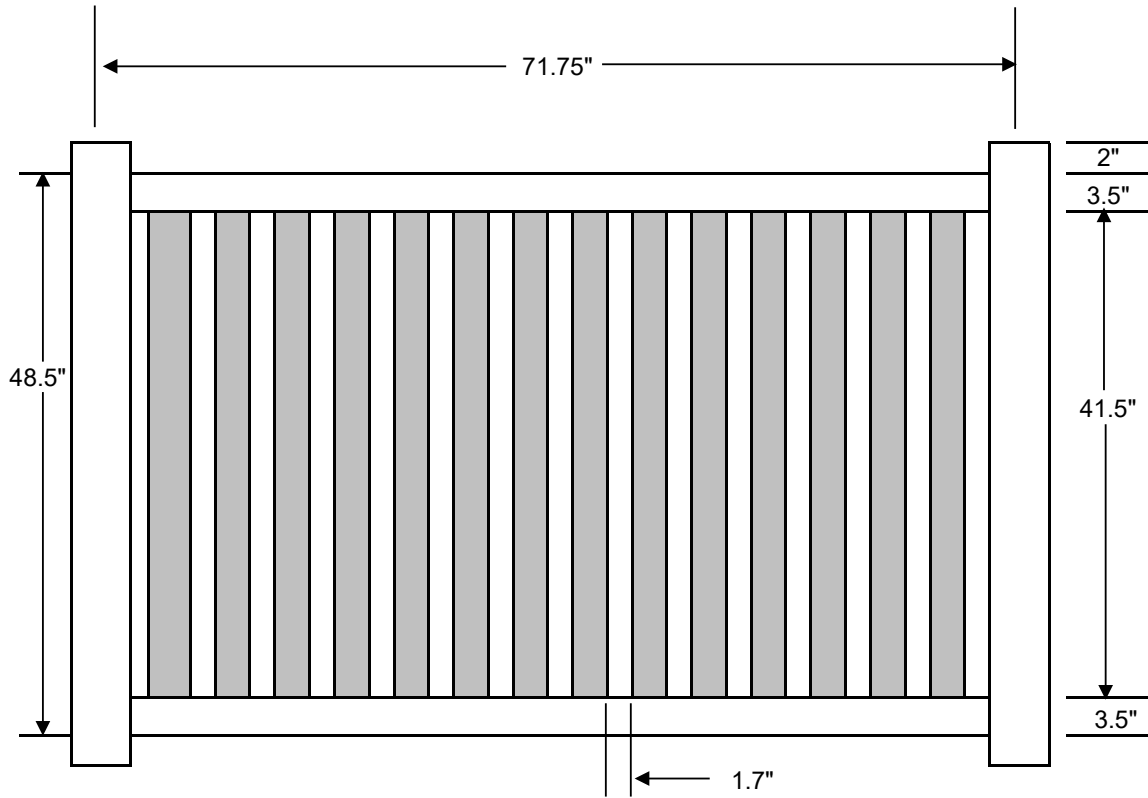
G_PO-3NR-5X72



| 1 | Material List | | Pulled From | | |
|----|---------------------------|--------------------|-------------|--------|---------|
| | Qty | Item | Dimension | White | Tan |
| 2 | Socket Posts | 4" x 4" x 64.5" | 71.75" | 84" | 84" |
| 2 | Post Caps | 4" x 4" | 4" | 4" | 4" |
| 2 | Top & Bott. Rails | 2" x 3.5" x 71.5" | 71.75" | 71.75" | 71.75" |
| 1 | Mid Rail | 2" x 3.5" x 71.5" | 71.75" | 71.75" | 71.75" |
| 1 | Aluminum | 1.5" x 3.25" x 71" | 71.5" | 71.5" | 71.5" |
| 13 | Pickets | 0.875" x 3" x 59" | 59" | 59" | 193.25" |
| 1 | Cross Brace | Cross Brace | 90" | 90" | 90" |
| 1 | Cross Brace Screws & Caps | | | | |
| 1 | Vinyl Fence Glue | | 1.5 Oz | 1.5 Oz | 1.5 Oz |

G_PO-3NR-5X72

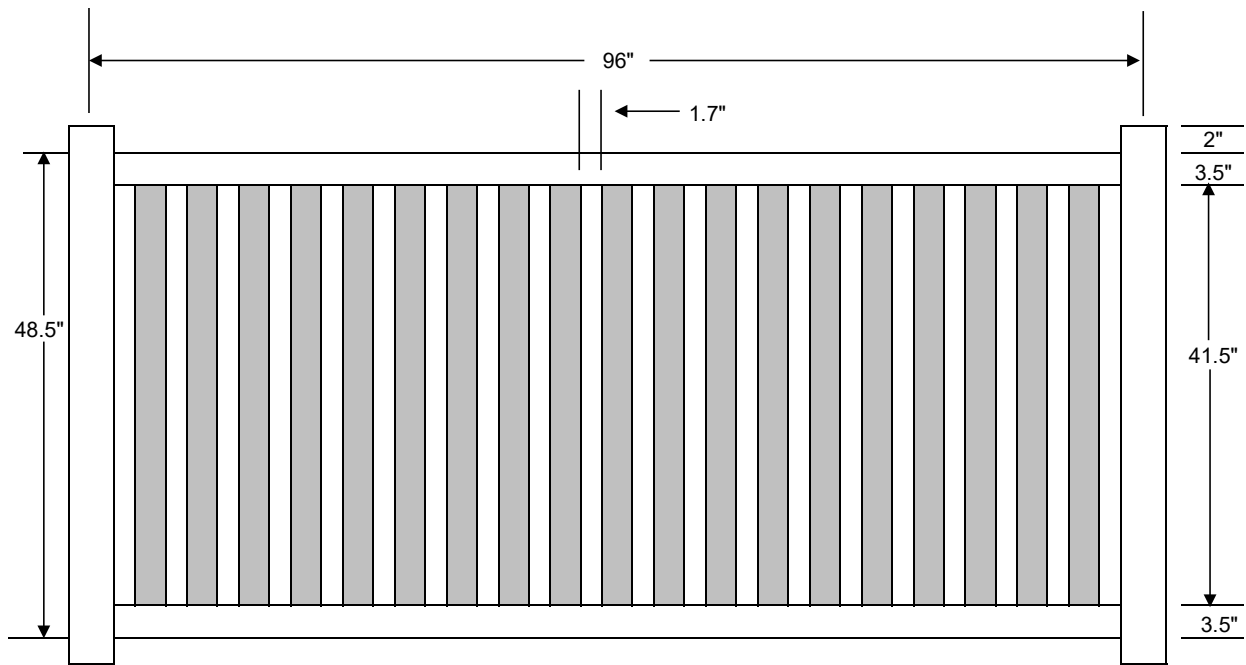
P_PO-3NR-4X6



1

| Material List | | | Pulled From | | |
|---------------|----------|----------------------|-------------|--------|--------|
| Qty | Item | Dimension | White | Tan | Khaki |
| 2 | Rails | 2" x 3.5" x 71.75" | 71.75" | 71.75" | 71.75" |
| 1 | Aluminum | 1.5" x 3.25" x 71.5" | 71.5" | 71.5" | 71.5" |
| 14 | Pickets | 0.875" x 3" x 47" | 47" | 47" | 47" |

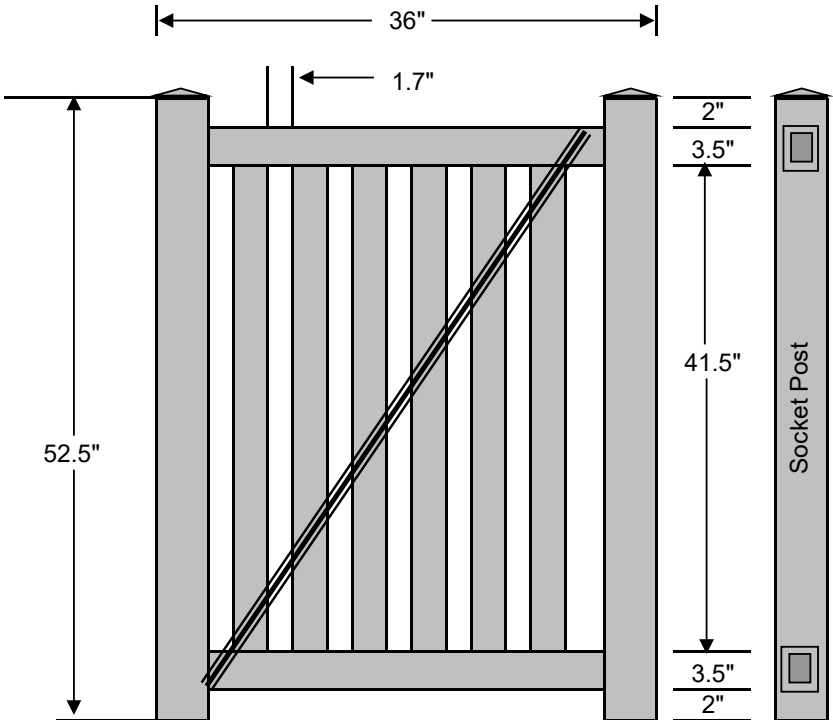
P_PO-3NR-4X6



1

| Material List | | | Pulled From | | |
|---------------|----------|----------------------|-------------|--------|--------|
| Qty | Item | Dimension | White | Tan | Khaki |
| 2 | Rails | 2" x 3.5" x 95.75" | 95.75" | 95.75" | 95.75" |
| 1 | Aluminum | 1.5" x 3.25" x 95.5" | 95.5" | 95.5" | 95.5" |
| 19 | Pickets | 0.875" x 3" x 47" | 47" | 47" | 47" |

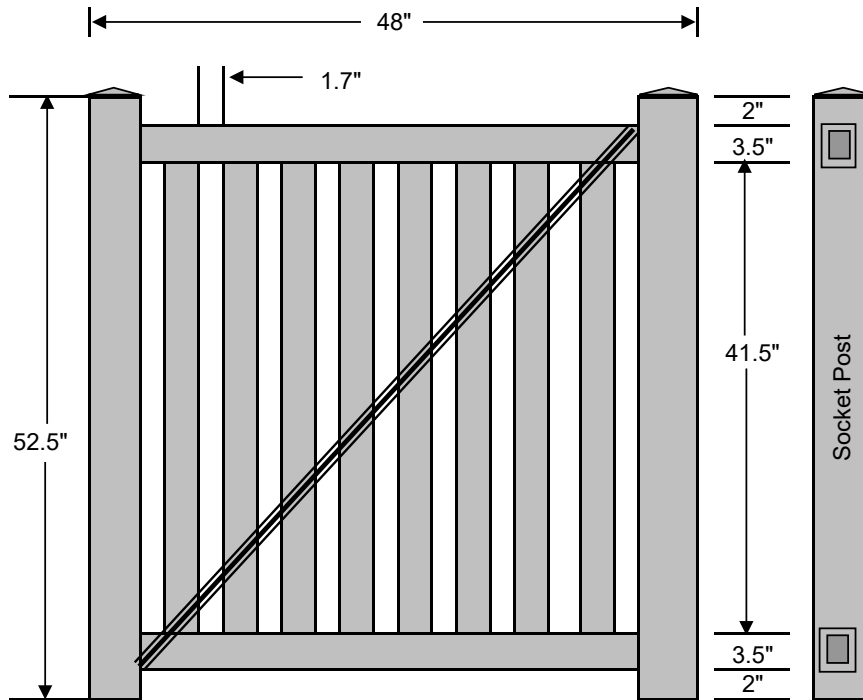
P_PO-3NR-4X8



1

| Material List | | | Pulled From | | |
|---------------|---------------------------|--------------------|-------------|--------|--------|
| Qty | Item | Dimension | White | Tan | Khaki |
| 2 | Socket Posts | 4" x 4" x 52.5" | 54" | 108" | 108" |
| 2 | Post Caps | 4" x 4" | 4" | 4" | 4" |
| 2 | Rails | 2" x 3.5" x 35.5" | 71.75" | 71.75" | 71.75" |
| 1 | Aluminum | 1.5" x 3.25" x 35" | 71.5" | 71.5" | 71.5" |
| 6 | Pickets | 0.875" x 3" x 47" | 47" | 47" | 47" |
| 1 | Cross Brace | Cross Brace | 90" | 90" | 90" |
| 1 | Cross Brace Screws & Caps | | | | |
| 1 | Vinyl Fence Glue | | 1.5 Oz | 1.5 Oz | 1.5 Oz |

G_PO-3NR-4X36

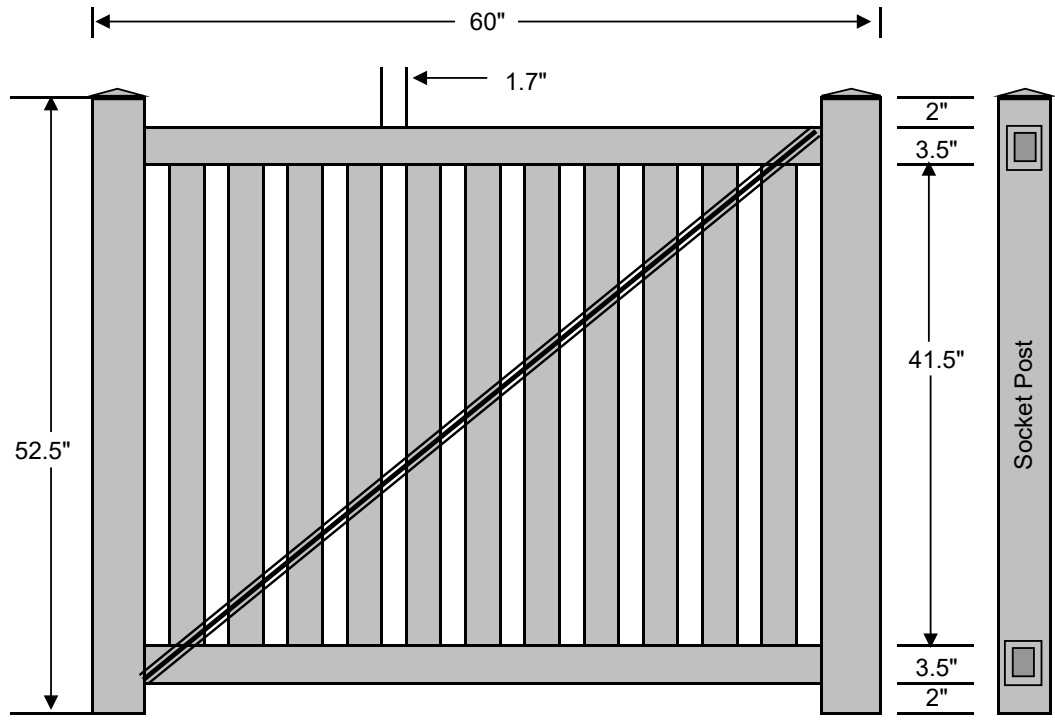


1

| Material List | | | Pulled From | | |
|---------------|---------------------------|--------------------|-------------|--------|--------|
| Qty | Item | Dimension | White | Tan | Khaki |
| 2 | Socket Posts | 4" x 4" x 52.5" | 54" | 108" | 108" |
| 2 | Post Caps | 4" x 4" | 4" | 4" | 4" |
| 2 | Rails | 2" x 3.5" x 47.5" | 95.75" | 95.75" | 95.75" |
| 1 | Aluminum | 1.5" x 3.25" x 47" | 95.5" | 95.5" | 95.5" |
| 8 | Pickets | 0.875" x 3" x 47" | 47" | 47" | 47" |
| 1 | Cross Brace | Cross Brace | 90" | 90" | 90" |
| 1 | Cross Brace Screws & Caps | | | | |
| 1 | Vinyl Fence Glue | | 1.5 Oz | 1.5 Oz | 1.5 Oz |

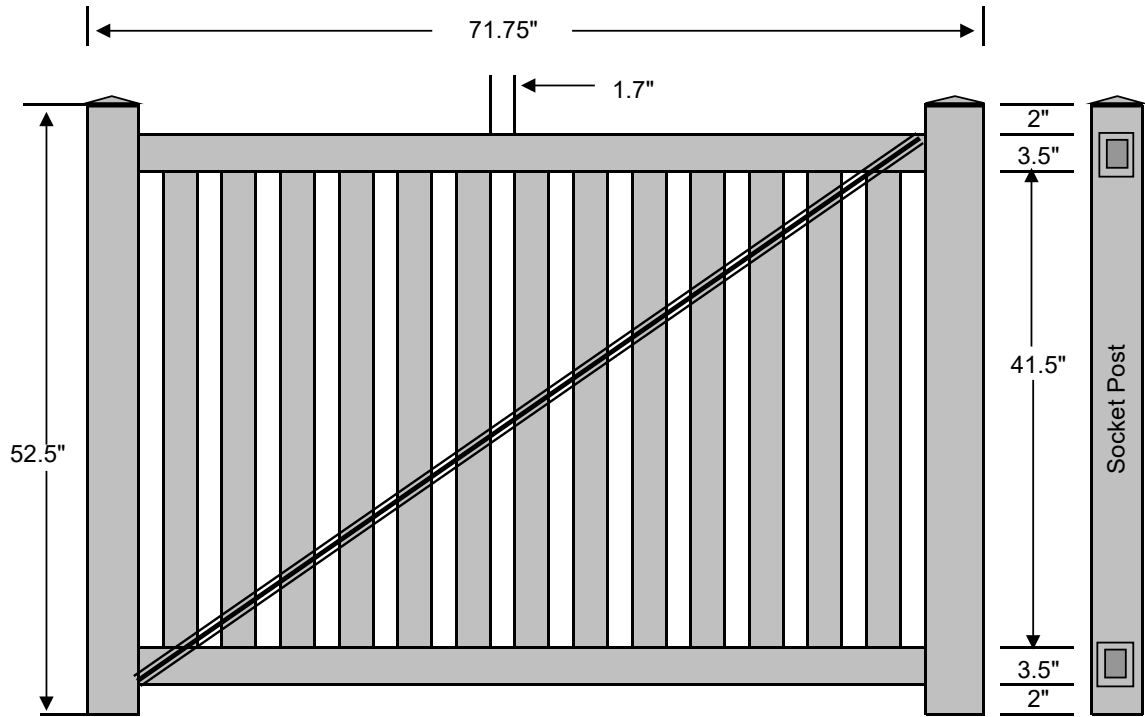
G_PO-3NR-4X48

G_PO-3NR-4X60



| 1 | | Material List | | Pulled From | | |
|-----|---------------------------|--------------------|----------------------|-------------|--------|--|
| Qty | Item | Dimension | White | Tan | Khaki | |
| 2 | Socket Posts | 4" x 4" x 52.5" | 54" | 108" | 108" | |
| 2 | Post Caps | 4" x 4" | 4" | 4" | 4" | |
| 2 | Rails | 2" x 3.5" x 59.5" | 71.75" | 71.75" | 71.75" | |
| 1 | Aluminum | 1.5" x 3.25" x 59" | 71.5" | 71.5" | 71.5" | |
| 11 | Pickets | 0.875" x 3" x 47" | 47" | 47" | 47" | |
| 1 | Cross Brace | Cross Brace | 90" | 90" | 90" | |
| 1 | Cross Brace Screws & Caps | | | | | |
| 1 | Vinyl Fence Glue | | 1.5 Oz | 1.5 Oz | 1.5 Oz | |
| | | | G_PO-3NR-4X60 | | | |

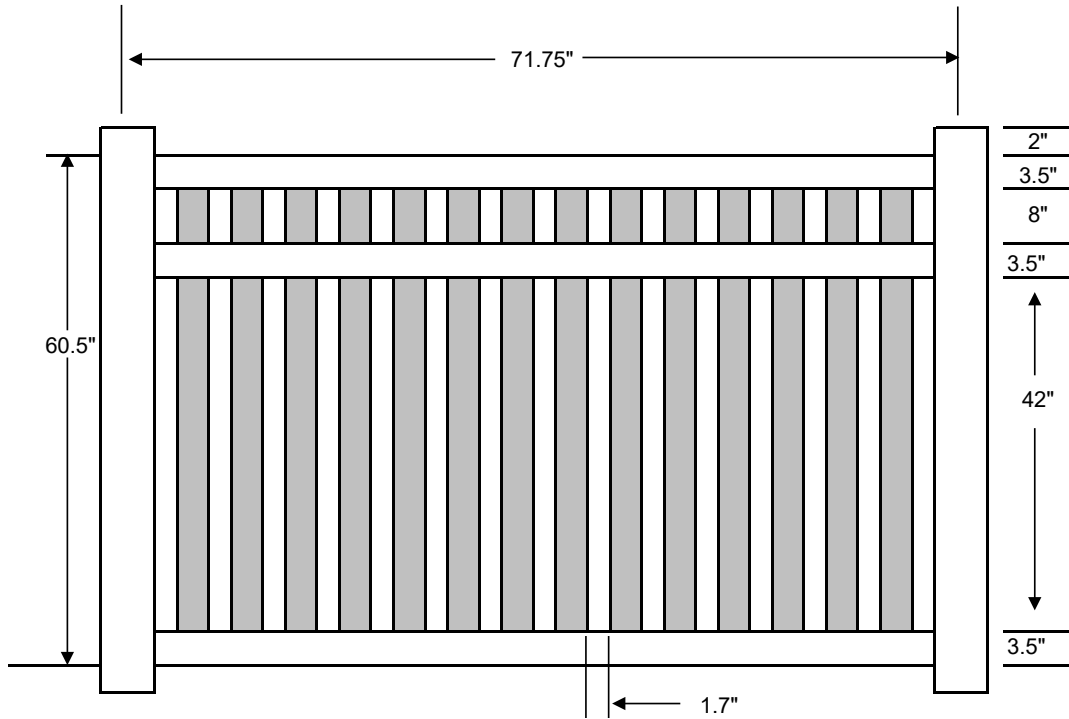
G_PO-3NR-4X72



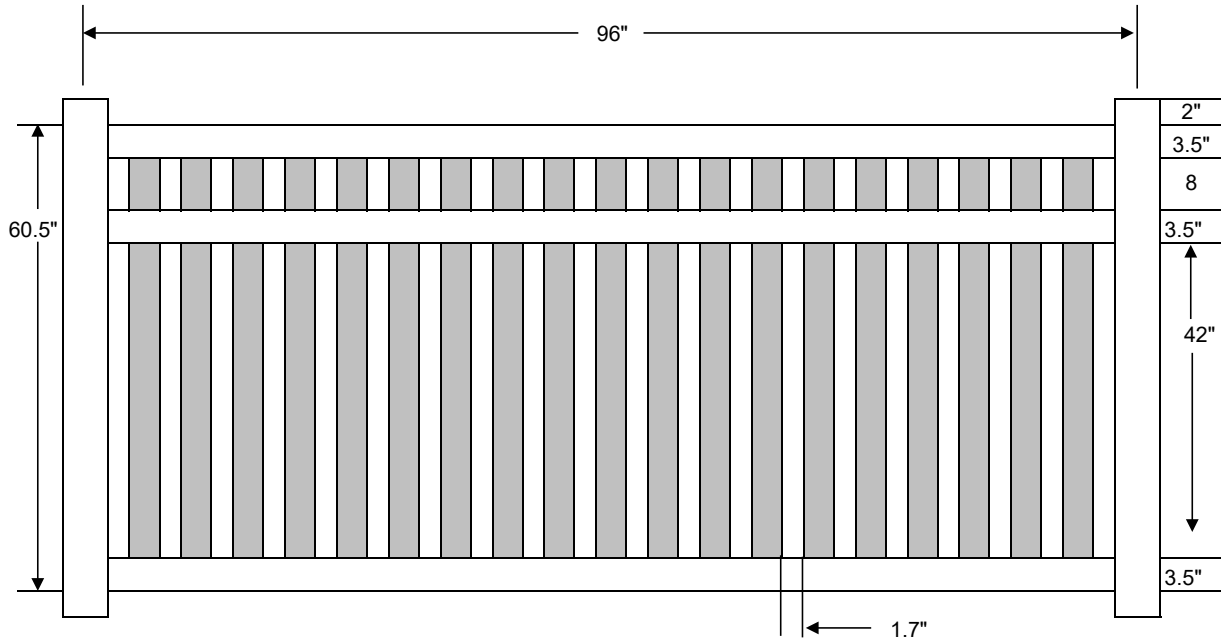
1

| Material List | | | Pulled From | | |
|---------------|---------------------------|--------------------|-------------|--------|--------|
| Qty | Item | Dimension | White | Tan | Khaki |
| 2 | Socket Posts | 4" x 4" x 52.5" | 54" | 108" | 108" |
| 2 | Post Caps | 4" x 4" | 4" | 4" | 4" |
| 2 | Rails | 2" x 3.5" x 71.5" | 71.75" | 71.75" | 71.75" |
| 1 | Aluminum | 1.5" x 3.25" x 71" | 71.5" | 71.5" | 71.5" |
| 13 | Pickets | 0.875" x 3" x 47" | 47" | 47" | 47" |
| 1 | Cross Brace | Cross Brace | 90" | 90" | 90" |
| 1 | Cross Brace Screws & Caps | | | | |
| 1 | Vinyl Fence Glue | | 1.5 Oz | 1.5 Oz | 1.5 Oz |

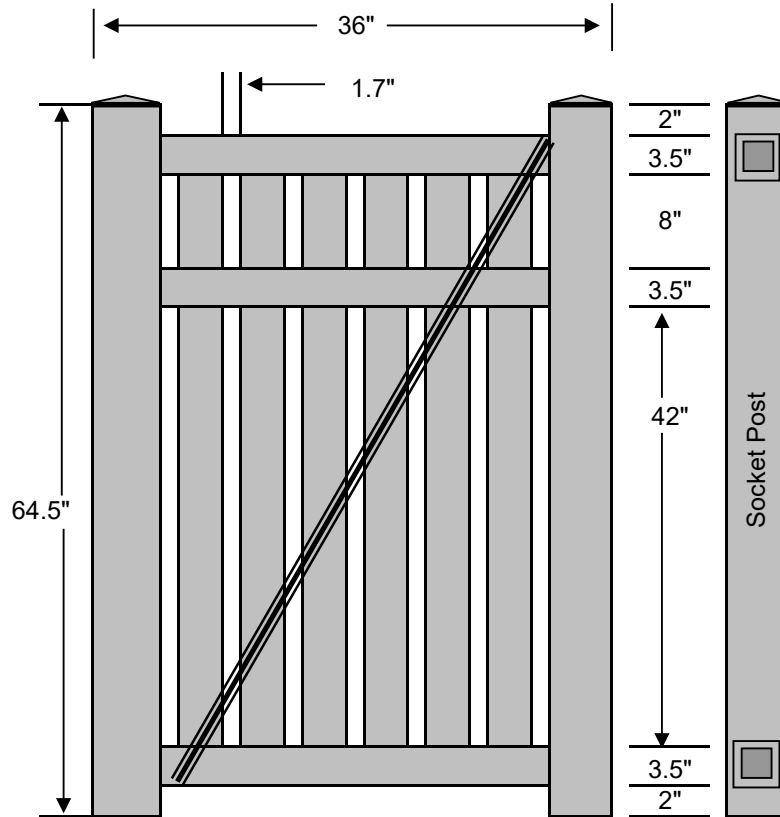
G_PO-3NR-4X72



| 1 | Material List | | Pulled From | | |
|----|-------------------|----------------------|---------------------|--------|---------|
| | Qty | Item | Dimension | White | Tan |
| 2 | Top & Bottom Rail | 2" x 3.5" x 71.75" | 71.75" | 71.75" | 71.75" |
| 1 | Mid Rail | 2" x 3.5" x 71.75" | 71.75" | 71.75" | 71.75" |
| 1 | Aluminum | 1.5" x 3.25" x 71.5" | 71.5" | 71.5" | 71.5" |
| 14 | Picket | 0.875" x 3" x 59" | 59" | 59" | 193.25" |
| | | | P_PO-3NR-5X6 | | |



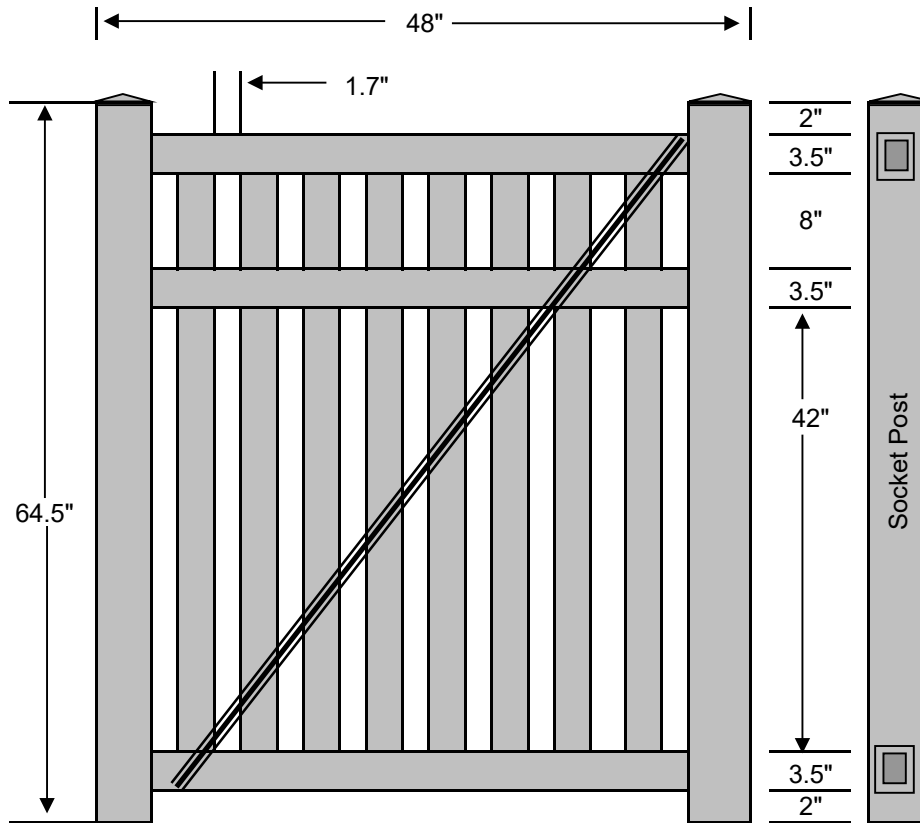
| 1 | | Material List | | Pulled From | | |
|---------------------|-------------------|----------------------|--------|-------------|---------|--|
| Qty | Item | Dimension | White | Tan | Khaki | |
| 2 | Top & Bottom Rail | 2" x 3.5" x 95.75" | 95.75" | 95.75" | 95.75" | |
| 1 | Mid Rail | 2" x 3.5" x 95.75" | 95.75" | 95.75" | 95.75" | |
| 1 | Aluminum | 1.5" x 3.25" x 95.5" | 95.5" | 95.5" | 95.5" | |
| 19 | Picket | 0.875" x 3" x 59" | 59" | 59" | 193.25" | |
| P_PO-3NR-5X8 | | | | | | |



| 1 | | Material List | | Pulled From | | |
|-----|---------------------------|--------------------|--------|-------------|---------|--|
| Qty | Item | Dimension | White | Tan | Khaki | |
| 2 | Socket Posts | 4" x 4" x 64.5" | 71.75" | 84" | 84" | |
| 2 | Post Caps | 4" x 4" | 4" | 4" | 4" | |
| 2 | Top & Bottom Rails | 2" x 3.5" x 35.5" | 71.75" | 71.75" | 71.75" | |
| 1 | Mid Rail | 2" x 3.5" x 35.5" | 71.75" | 71.75" | 71.75" | |
| 1 | Aluminum | 1.5" x 3.25" x 35" | 71.5" | 71.5" | 71.5" | |
| 6 | Pickets | 0.875" x 3" x 59" | 59" | 59" | 193.25" | |
| 1 | Cross Brace | Cross Brace | 90" | 90" | 90" | |
| 1 | Cross Brace Screws & Caps | | | | | |
| 1 | Vinyl Fence Glue. | | 1.5 Oz | 1.5 Oz | 1.5 Oz | |

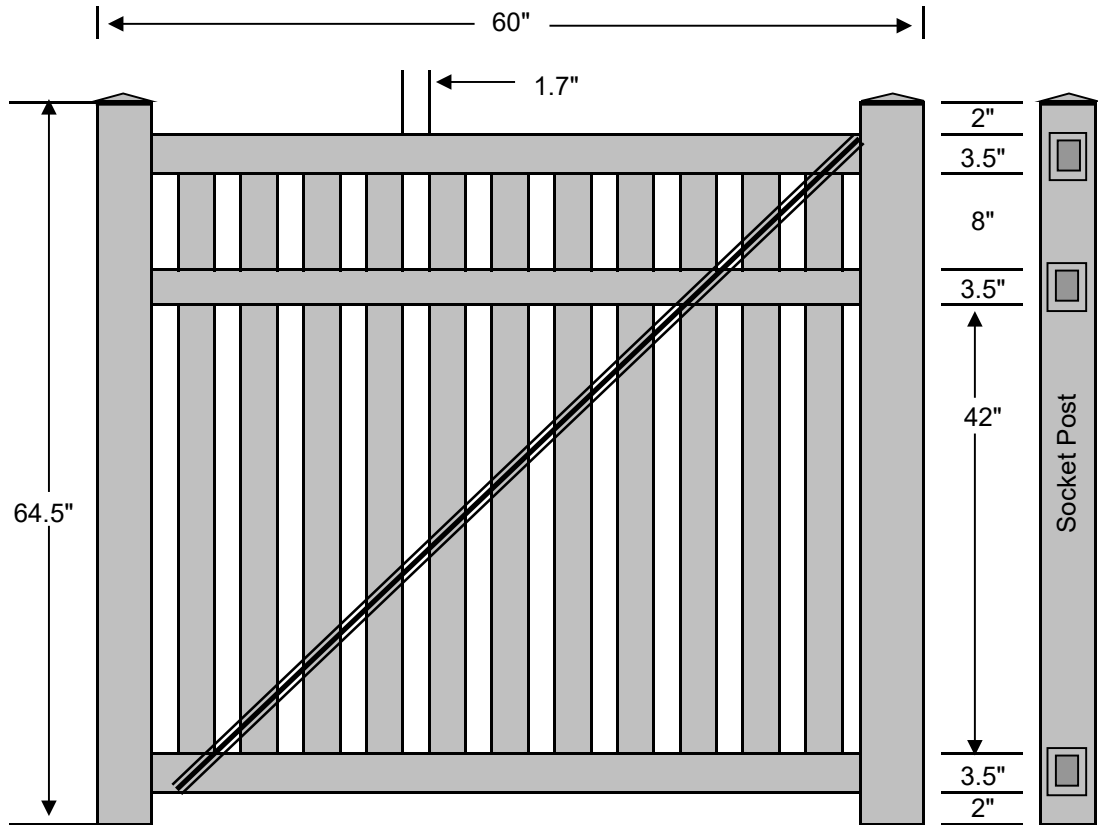
G_PO-3NR-5X36

G_PO-3NR-5X48



| 1 | Material List | | Pulled From | | |
|---|---------------------------|--------------------|----------------------|--------|---------|
| | Qty | Item | Dimension | White | Tan |
| 2 | Socket Posts | 4" x 4" x 64.5" | 71.75" | 84" | 84" |
| 2 | Post Caps | 4" x 4" | 4" | 4" | 4" |
| 2 | Top & Bottom Rails | 2" x 3.5" x 47.5" | 95.75" | 95.75" | 95.75" |
| 1 | Mid Rail | 2" x 3.5" x 47.5" | 95.75" | 95.75" | 95.75" |
| 1 | Aluminum | 1.5" x 3.25" x 47" | 95.5" | 95.5" | 95.5" |
| 8 | Pickets | 0.875" x 3" x 59" | 59" | 59" | 193.25" |
| 1 | Cross Brace | Cross Brace | 90" | 90" | 90" |
| 1 | Cross Brace Screws & Caps | | | | |
| 1 | Vinyl Fence Glue. | | 1.5 Oz | 1.5 Oz | 1.5 Oz |
| | | | G_PO-3NR-5X48 | | |

G_PO-3NR-5X60



| 1 | Material List | | Pulled From | | |
|----|---------------------------|--------------------|----------------------|--------|---------|
| | Qty | Item | Dimension | White | Tan |
| 2 | Socket Post | 4" x 4" x 64.5" | 71.75" | 84" | 84" |
| 2 | Post Cap | 4" x 4" | 4" | 4" | 4" |
| 2 | Top & Botom Rail | 2" x 3.5" x 59.5" | 71.75" | 71.75" | 71.75" |
| 1 | Mid Rail | 2" x 3.5" x 59.5" | 71.75" | 71.75" | 71.75" |
| 1 | Aluminum | 1.5" x 3.25" x 59" | 71.5" | 71.5" | 71.5" |
| 11 | Picket | 0.875" x 3" x 59" | 59" | 59" | 193.25" |
| 1 | Cross Brace | Cross Brace | 90" | 90" | 90" |
| 1 | Cross Brace Screws & Caps | | | | |
| 1 | Vinyl Fence Glue. | | 1.5 Oz | 1.5 Oz | 1.5 Oz |
| | | | G_PO-3NR-5X60 | | |