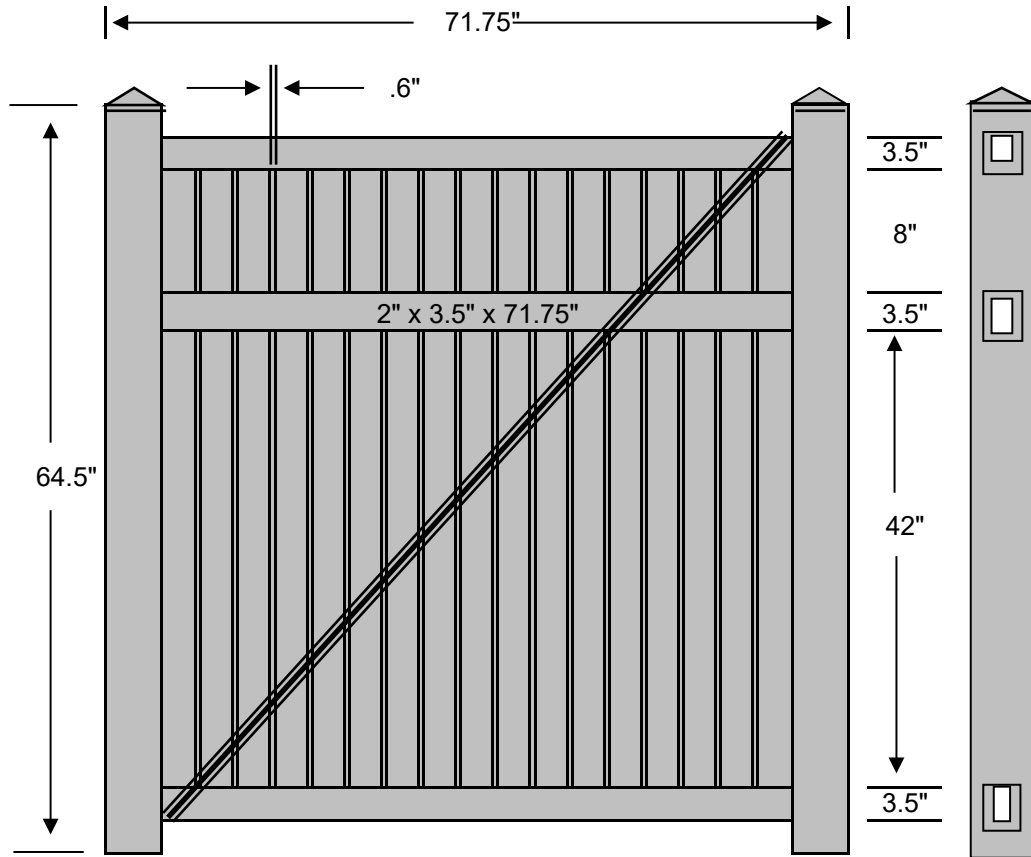
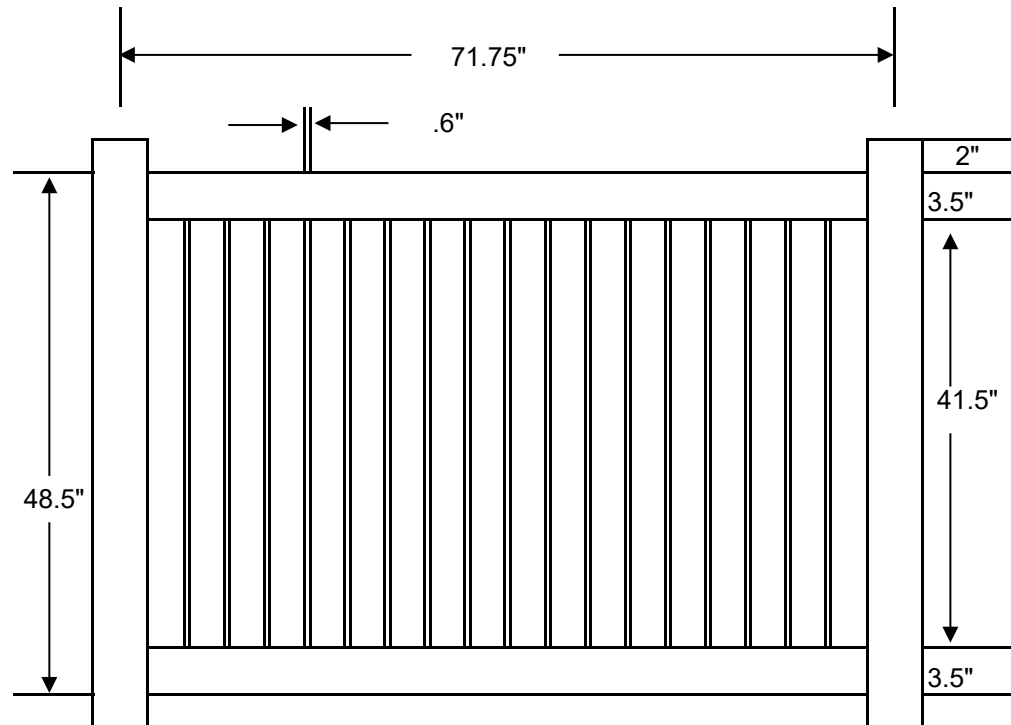


G_PO-SP-5X72



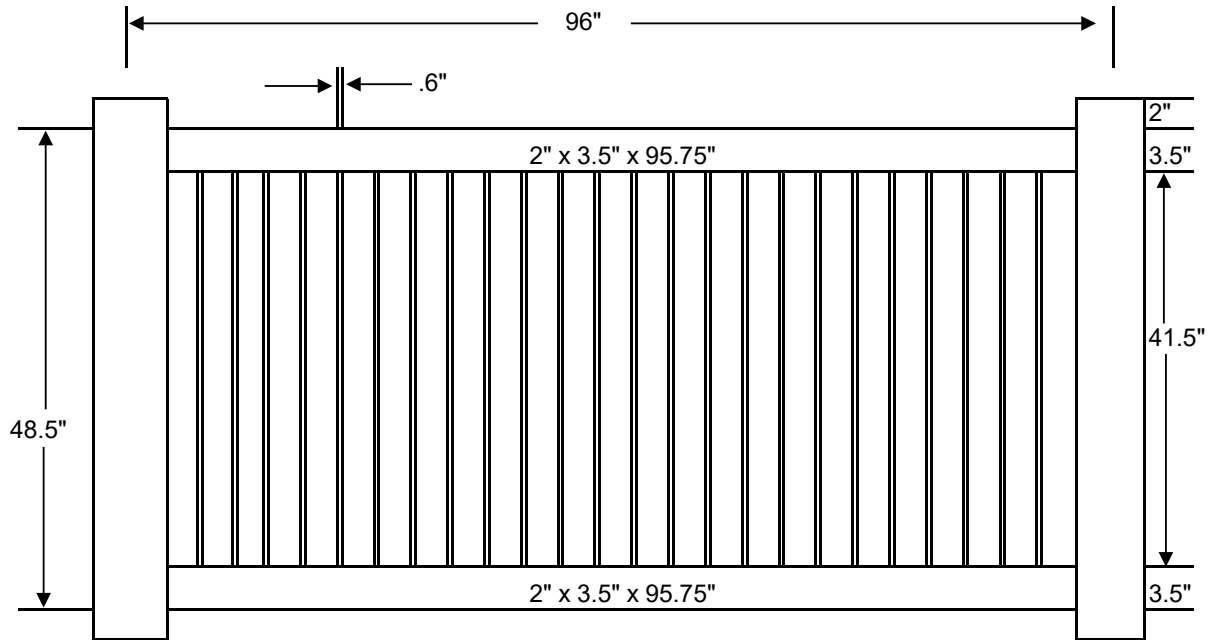
1		Material List	Pulled From		
QTY	Item	Dimensions	White	Tan	Khaki
2	Socket Post	4" x 4" x 64.5"	71.75"	84"	84"
2	Post Cap	4" x 4"	4"	4"	4"
2	Top & Bottom Rail	2" x 3.5" x 71.5"	71.75"	71.75"	71.75"
1	Mid Rail	2" x 3.5" x 71.5"	71.75"	71.75"	71.75"
17	Picket	0.875" x 3" x 59"	59"	59"	193.25"
1	Cross Brace	Cross Brace	90"	90"	90"
1	Aluminum	1.5" x 3.25" x 71"	71.5"	71.5"	71.5"
1	Vinyl Fence Glue		1.5 Oz	1.5 Oz	1.5 Oz
1	Cross Brace Screws & Caps				
			G_PO-SP-5X72		



1

Material List			Pulled From		
Qty	Item	Dimension	White	Tan	Khaki
0	Top Rail	2" x 3.5" x 71.75"	71.75"	71.75"	71.75"
1	Bottom Rail	2" x 3.5" x 71.75"	71.75"	71.75"	71.75"
1	Aluminum	1.5" x 3.25" x 71.5"	71.5"	71.5"	71.5"
0	Pickets	0.875" x 3" x 47"	47"	47"	47"

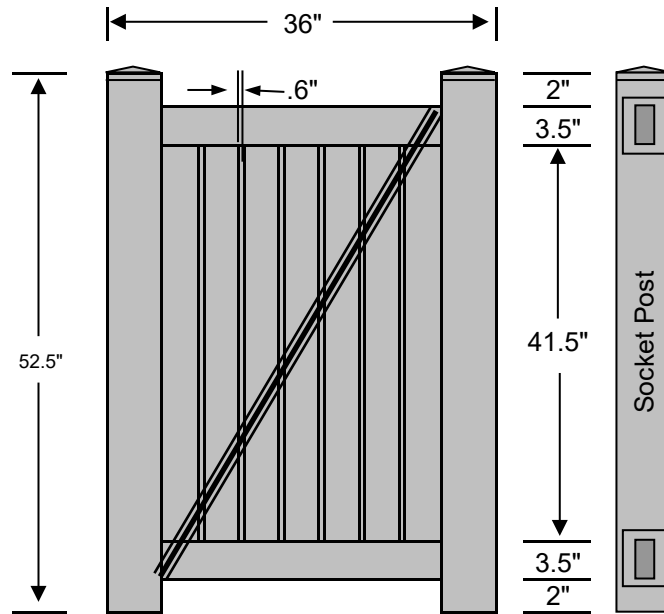
P_PO-SP-4X6



1		Material List		Pulled From		
Qty	Item	Dimension	White	Tan	Khaki	
1	Top Rail	2" x 3.5" x 95.75"	95.75"	95.75"	95.75"	
1	Bottom Rail	2" x 3.5" x 95.75"	95.75"	95.75"	95.75"	
1	Aluminum	1.5" x 3.25" x 95.5"	95.5"	95.5"	95.5"	
25	Pickets	0.875" x 3" x 47"	47"	47"	47"	

P_PO-SP-4X8

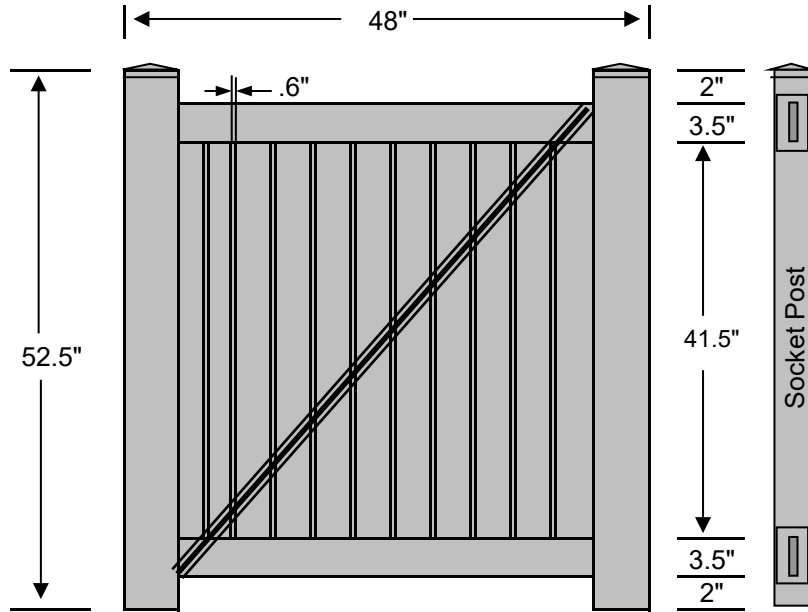
G_PO-SP-4X36



1

Material List			Pulled From		
QTY	Item	Dimensions	White	Tan	Khaki
2	Socket Posts	4" x 4" x 52.5"	54"	108"	108"
2	Post Caps	4" x 4"	4"	4"	4"
1	Top Rail	2" x 3.5" x 35.5"	71.75"	71.75"	71.75"
1	Bottom Rail	2" x 3.5" x 35.5"	71.75"	71.75"	71.75"
1	Aluminum	1.5" x 3.25" x 35"	71.5"	71.5"	71.5"
1	Cross Brace	Cross Brace	90"	90"	90"
7	Pickets	0.875" x 3" x 47"	47"	47"	47"
1	Cross Brace Screws & Caps				
1	Vinyl Fence Glue		1.5 Oz	1.5 Oz	1.5 Oz

G_PO-SP-4X36

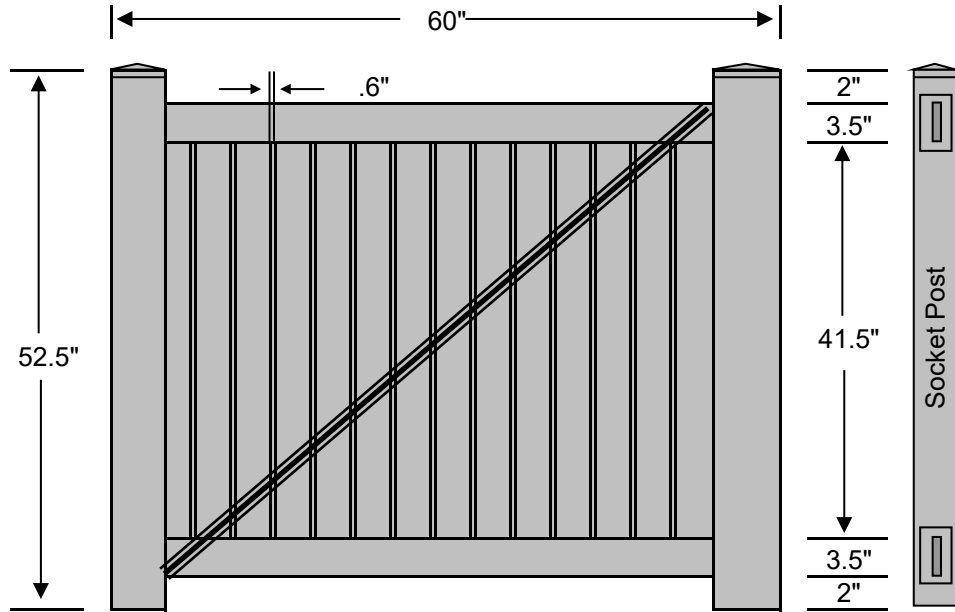


1

Material List			Pulled From		
QTY	Item	Dimensions	White	Tan	Khaki
2	Socket Posts	4" x 4" x 52.5"	54"	108"	108"
2	Post Caps	4" x 4"	4"	4"	4"
1	Top Rail	2" x 3.5" x 47.5"	95.75"	95.75"	95.75"
1	Bottom Rail	2" x 3.5" x 47.5"	95.75"	95.75"	95.75"
1	Aluminum	1.5" x 3.25" x 47"	95.5"	95.5"	95.5"
1	Cross Brace	Cross Brace	90"	90"	90"
11	Pickets	0.875" x 3" x 47"	47"	47"	47"
1	Cross Brace Screws & Caps				
1	Vinyl Fence Glue		1.5 Oz	1.5 Oz	1.5 Oz

G_PO-SP-4X48

G_PO-SP-4X60

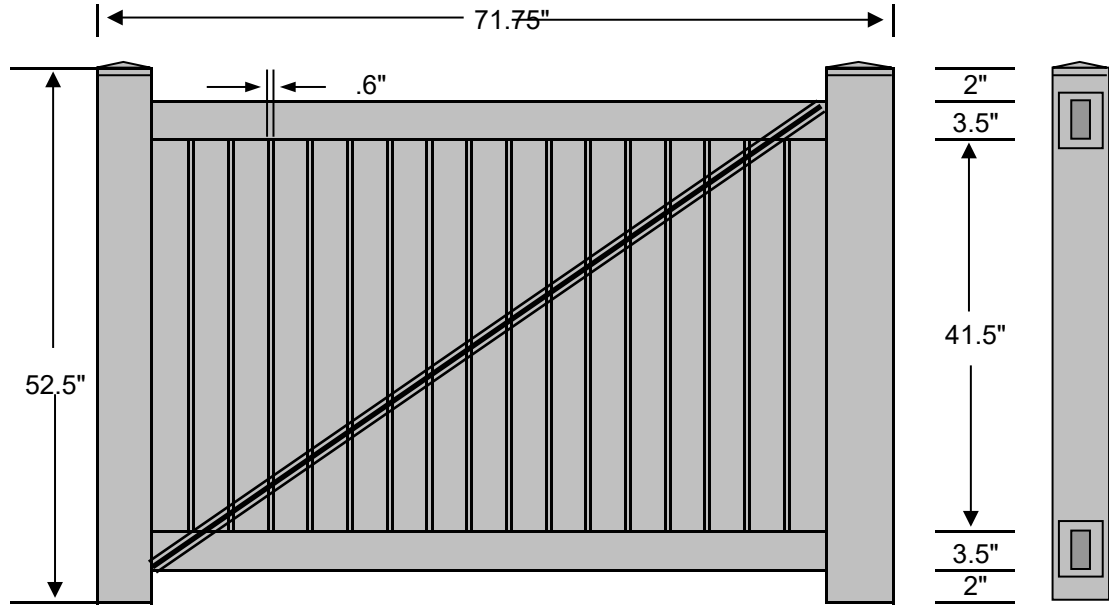


1

Material List			Pulled From		
QTY	Item	Dimensions	White	Tan	Khaki
2	Socket Posts	4" x 4" x 52.5"	54"	108"	108"
2	Post Caps	4" x 4"	4"	4"	4"
1	Top Rail	2" x 3.5" x 59.5"	71.75"	71.75"	71.75"
1	Bottom Rail	2" x 3.5" x 59.5"	71.75"	71.75"	71.75"
1	Aluminum	1.5" x 3.25" x 59"	71.5"	71.5"	71.5"
1	Cross Brace	Cross Brace	90"	90"	90"
14	Pickets	0.875" x 3" x 47"	47"	47"	47"
1	Cross Brace Screws & Caps				
1	Vinyl Fence Glue		1.5 Oz	1.5 Oz	1.5 Oz

G_PO-SP-4X60

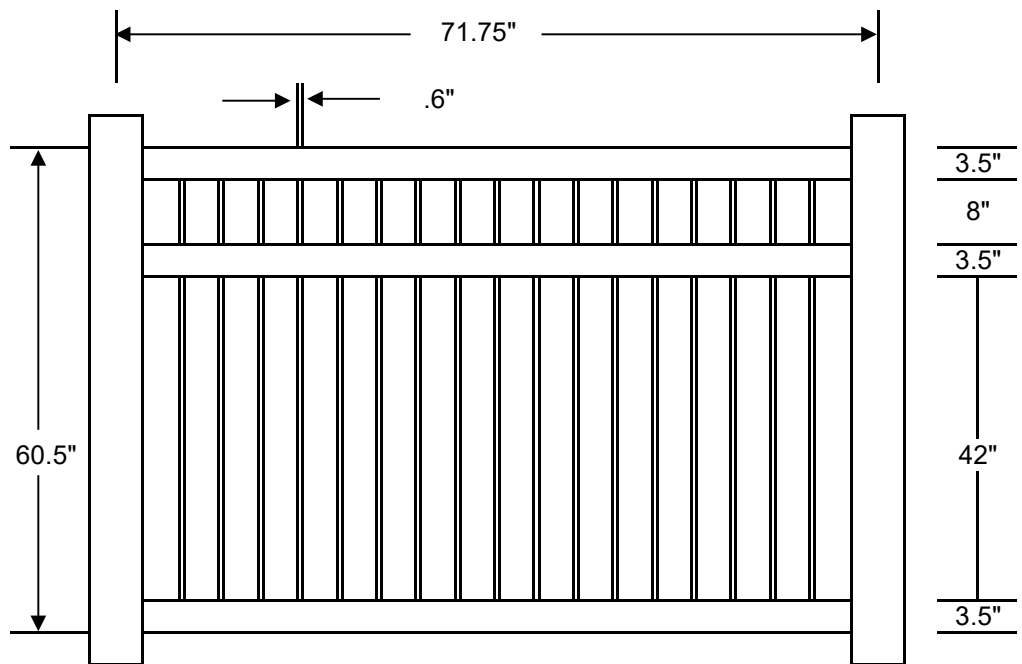
G_PO-SP-4X72



1

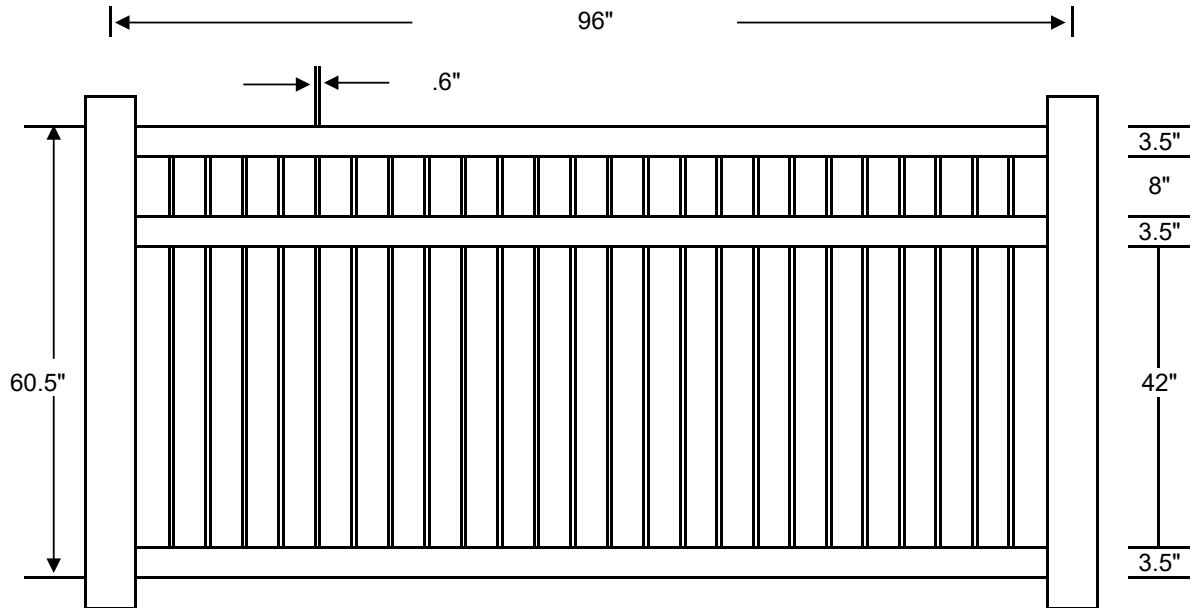
Material List			Pulled From		
QTY	Item	Dimensions	White	Tan	Khaki
2	Socket Post	4" x 4" x 52.5"	54"	108"	108"
2	Post Caps	4" x 4"	4"	4"	4"
1	Top Rail	2" x 3.5" x 71.5"	71.75"	71.75"	71.75"
1	Bottom Rail	2" x 3.5" x 71.5"	71.75"	71.75"	71.75"
1	Aluminum	1.5" x 3.25" x 71"	71.5"	71.5"	71.5"
1	Cross Brace	Cross Brace	90"	90"	90"
17	Pickets	0.875" x 3" x 47"	47"	47"	47"
1	Cross Brace Screws & Caps				
1	Vinyl Fence Glue		1.5 Oz	1.5 Oz	1.5 Oz
			G_PO-SR-4X72		

P_PO-SP-5X6



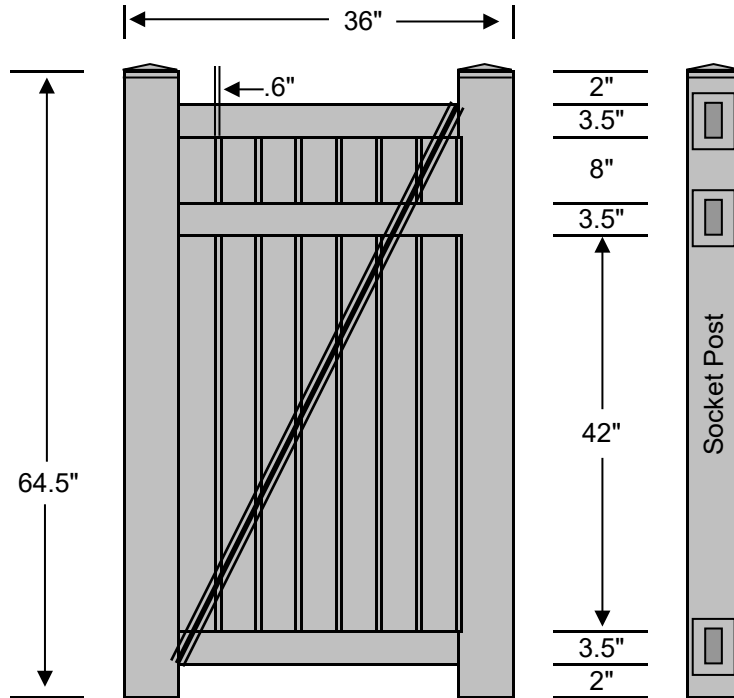
1

Material List			Pulled From		
Qty	Item	Dimension	White	Tan	Khaki
2	Rails	2" x 3.5" x 71.75"	71.75"	71.75"	71.75"
1	Mid Rail	2" x 3.5" x 71.75"	71.75"	71.75"	71.75"
1	Aluminum	1.5" x 3.25" x 71.5"	71.5"	71.5"	71.5"
18	Pickets	0.875" x 3" x 59"	59"	59"	193.25"
			P_PO-SP-5X6		



1	Material List		Pulled From		
	Qty	Item	Dimension	White	Tan
2	Rails	2" x 3.5" x 95.75"	95.75"	95.75"	95.75"
1	Mid Rail	2" x 3.5" x 95.75"	95.75"	95.75"	95.75"
1	Aluminum	1.5" x 3.25" x 95.5"	95.5"	95.5"	95.5"
25	Pickets	0.875" x 3" x 59"	59"	59"	193.25"

P_PO-SP-5X8

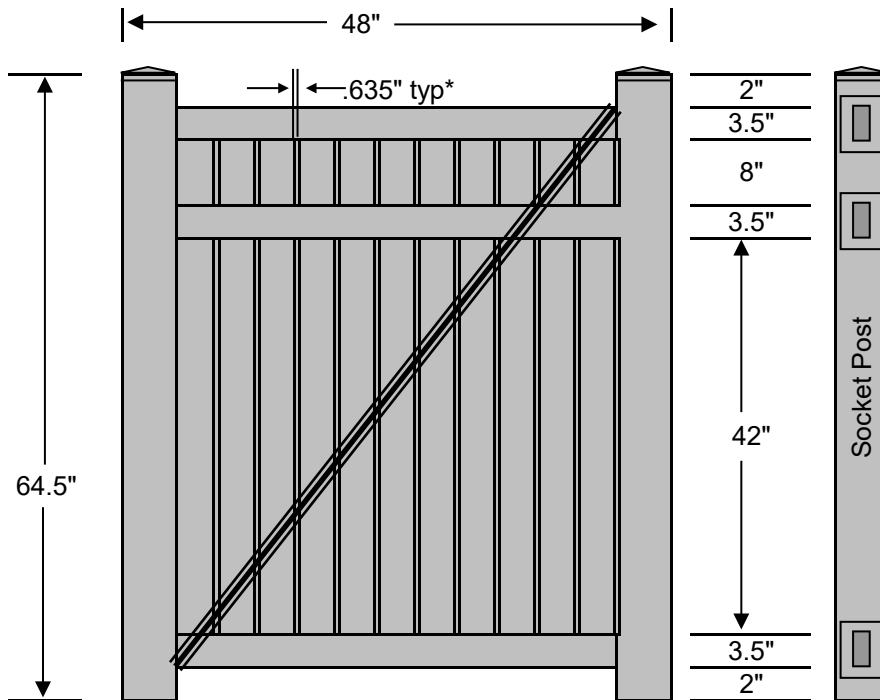


1

Material List			Pulled From		
QTY	Item	Description	White	Tan	Khaki
2	Socket Posts	4" x 4" x 64.5"	71.75"	84"	84"
2	Post Caps	4" x 4"	4"	4"	4"
1	Top Rail	2" x 3.5" x 35.5"	71.75"	71.75"	71.75"
1	Mid Rail	2" x 3.5" x 35.5"	71.75"	71.75"	71.75"
1	Bottom Rail	2" x 3.5" x 35.5"	71.75"	71.75"	71.75"
1	Aluminum	1.5" x 3.25" x 35"	71.5"	71.5"	71.5"
1	Cross Brace	Cross Brace	90"	90"	90"
7	Pickets	0.875" x 3" x 59"	59"	59"	193.25"
1	Cross Brace Screws & Caps				
1	Vinyl Fence Glue		1.5 Oz	1.5 Oz	1.5 Oz

G_PO-SP-5X36

G_PO-SP-5X48

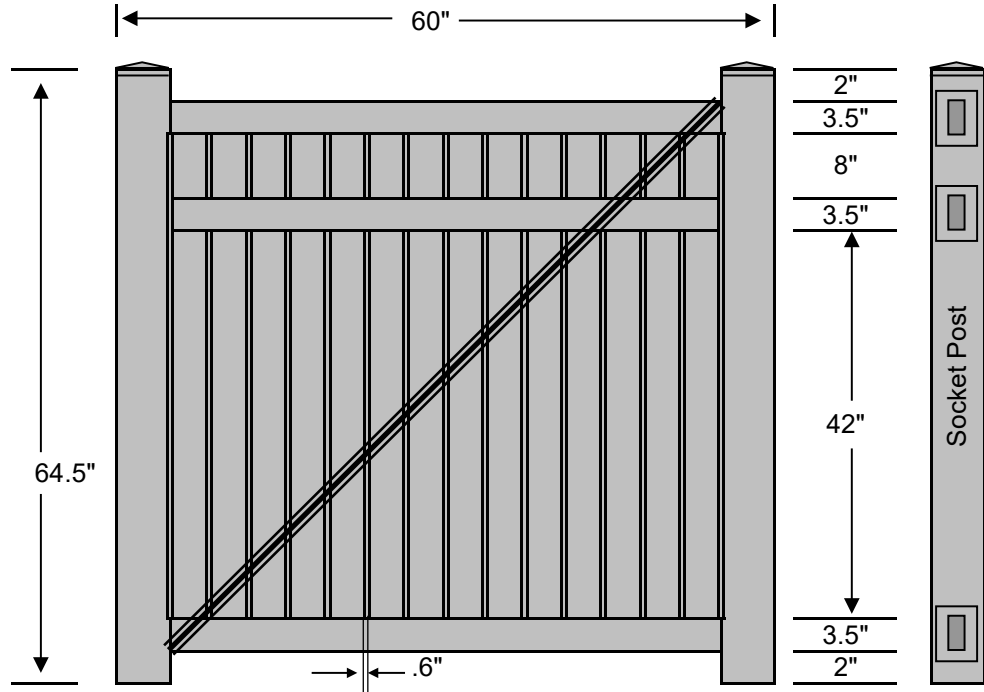


1

Material List			Pulled From		
QTY	Item	Dimensions	White	Tan	Khaki
2	Socket Posts	4" x 4" x 64.5"	71.75"	84"	84"
2	Post Caps	4" x 4"	4"	4"	4"
1	Top Rail	2" x 3.5" x 47.5"	95.75"	95.75"	95.75"
1	Mid Rail	2" x 3.5" x 47.5"	95.75"	95.75"	95.75"
1	Bottom Rail	2" x 3.5" x 47.5"	95.75"	95.75"	95.75"
1	Aluminum	1.5" x 3.25" x 47"	95.5"	95.5"	95.5"
1	Cross Brace	Cross Brace	90"	90"	90"
11	Pickets	0.875" x 3" x 59"	59"	59"	193.25"
1	Cross Brace Screws & Caps				
1	Vinyl Fence Glue		1.5 Oz	1.5 Oz	1.5 Oz

G_PO-SP-5X48

G_PO-SP-5X60



1

Material List			Pulled From		
QTY	Item	Dimensions	White	Tan	Khaki
2	Socket Posts	4" x 4" x 64.5"	71.75"	84"	84"
2	Post Caps	4" x 4"	4"	4"	4"
1	Top Rail	2" x 3.5" x 59.5"	71.75"	71.75"	71.75"
1	Mid Rail	2" x 3.5" x 59.5"	71.75"	71.75"	71.75"
1	Bottom Rail	2" x 3.5" x 59.5"	71.75"	71.75"	71.75"
1	Aluminum	1.5" x 3.25" x 59"	71.5"	71.5"	71.5"
1	Cross Brace	Cross Brace	90"	90"	90"
14	Pickets	0.875" x 3" x 59"	59"	59"	193.25"
1	Cross Brace Screws & Caps				
1	Vinyl Fence Glue		1.5 Oz	1.5 Oz	1.5 Oz

G_PO-SP-5X60