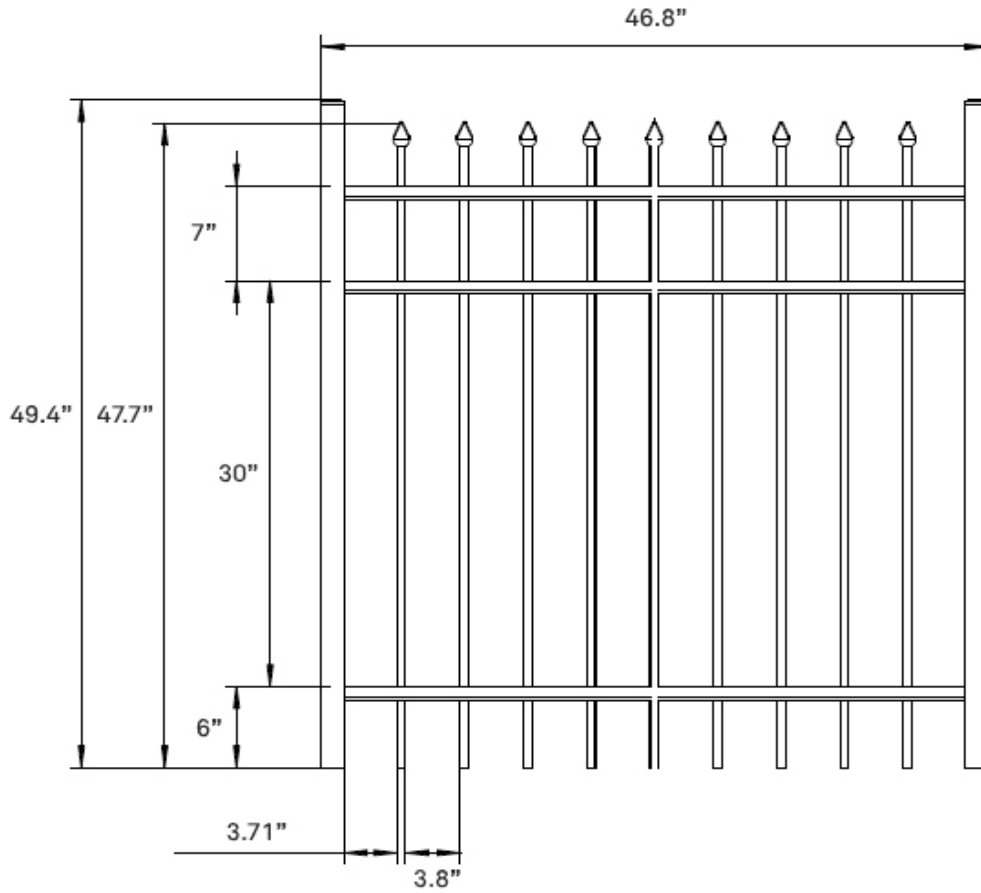


1

| Material List | | |
|---------------|-------------------------|-----------------------|
| QTY | Item | Dimensions |
| 1 | Top Rail | 1" x 1" x 72.5" |
| 1 | Mid Rail | 1" x 1" x 72.5" |
| 1 | Bottom Rail | 1" x 1" x 72.5" |
| 3 | Hidden Screw Rail Strip | 1" x 1" x 72.5" |
| 15 | Picket | .625" x .625" x 47.8" |
| 45 | Screws | .5" |

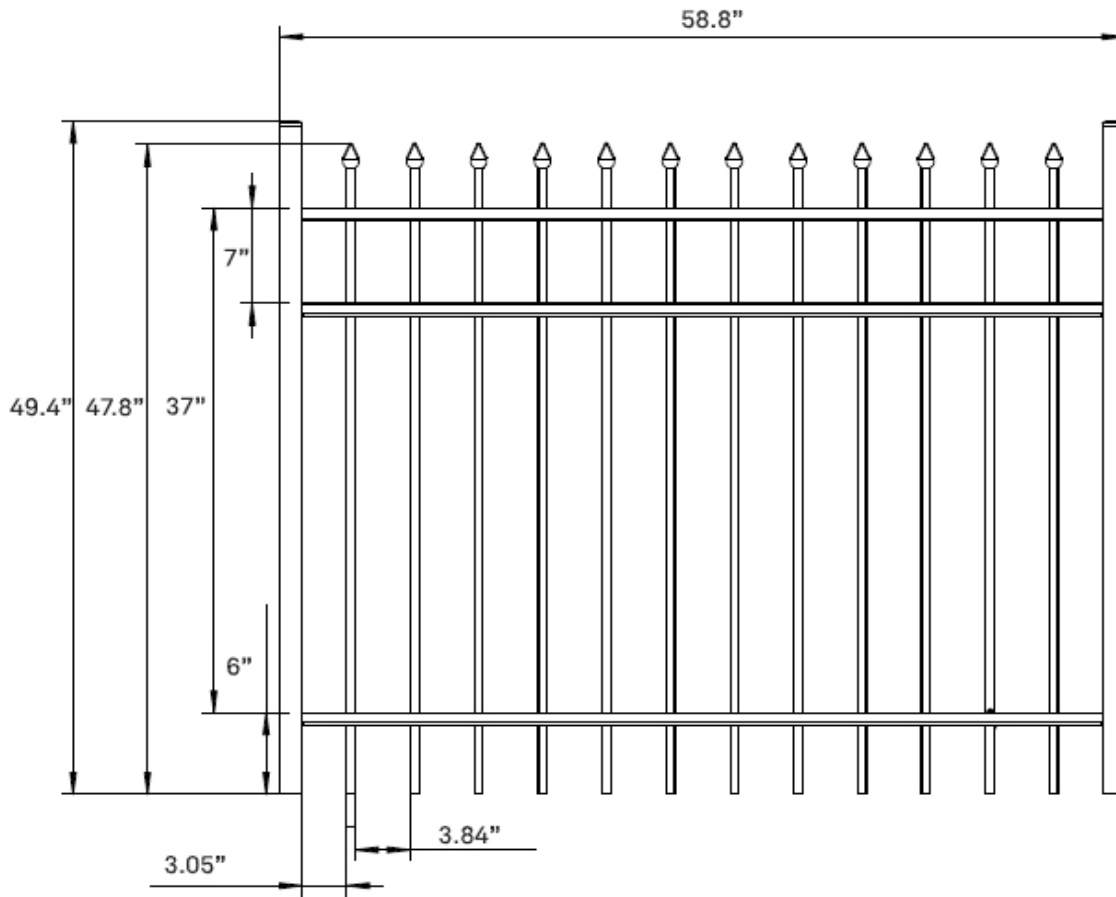
GBAL-SPTP-4X6



1

| Material List | | |
|---------------|-------------------------|-----------------------|
| QTY | Item | Dimensions |
| 1 | Top Rail | 1" x 1" x 46.8" |
| 1 | Mid Rail | 1" x 1" x 46.8" |
| 1 | Bottom Rail | 1" x 1" x 46.8" |
| 3 | Hidden Screw Rail Strip | 1" x 1" x 46.8" |
| 9 | Picket | .625" x .625" x 47.8" |
| 27 | Screws | .5" |

GBAL-SPTP-4X48



1

| Material List | | |
|---------------|-------------------------|-----------------------|
| QTY | Item | Dimensions |
| 1 | Top Rail | 1" x 1" x 58.8" |
| 1 | Mid Rail | 1" x 1" x 58.8" |
| 1 | Bottom Rail | 1" x 1" x 58.8" |
| 3 | Hidden Screw Rail Strip | 1" x 1" x 58.8" |
| 12 | Picket | .625" x .625" x 47.8" |
| 24 | Screws | .5" |

GBAL-SPTP-4X60