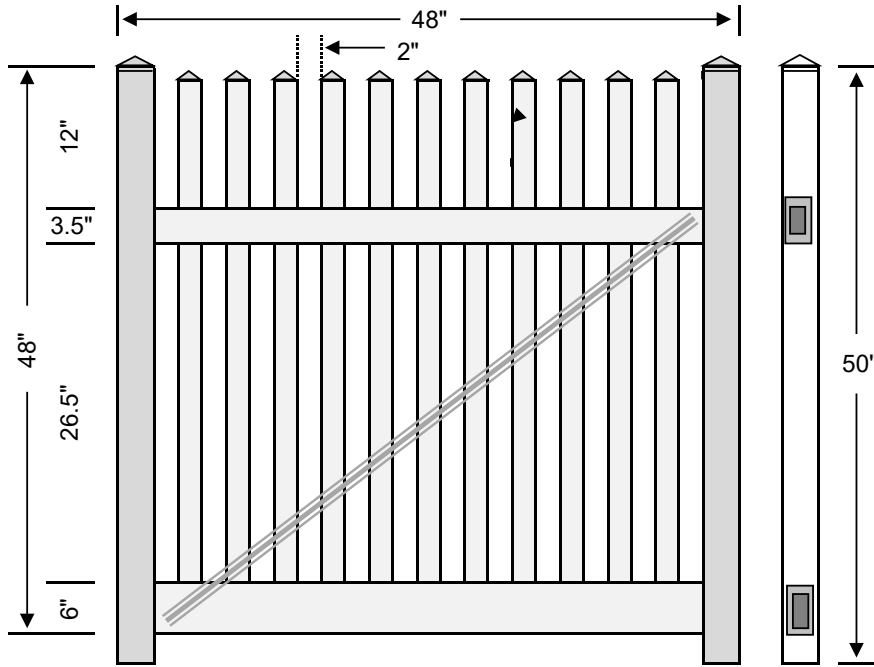


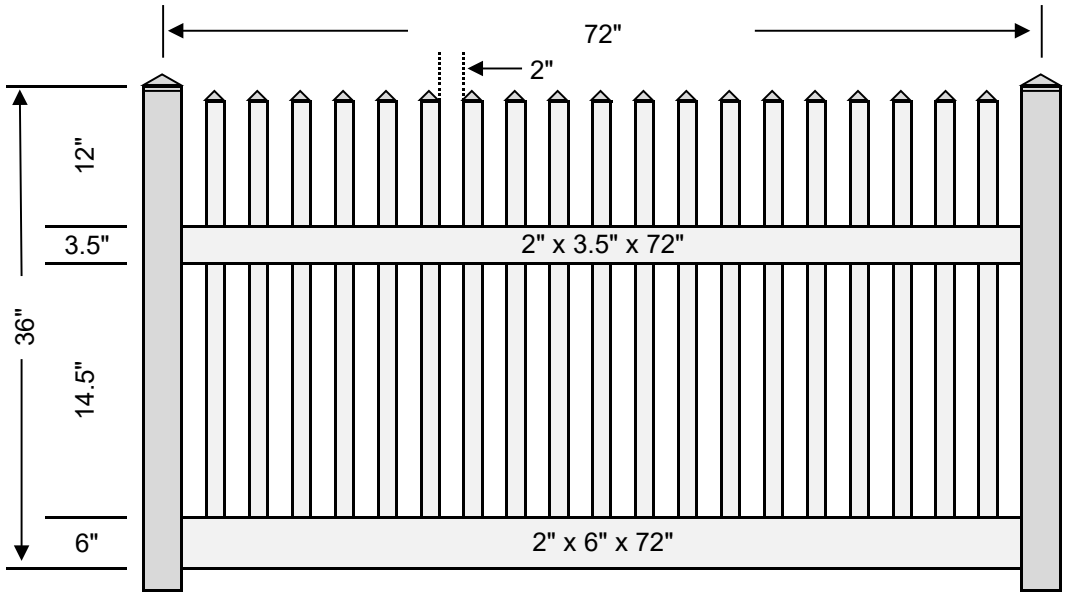
G_PI-1.5R26-4X48



1	Material List			Pulled From		
	QTY	Item	Dimensions	White	Tan	Khaki
2	Socket Post	4" x 4" x 50"	54"	108"	108"	
2	Post Caps	4" x 4"	4"	4"	4"	
1	Top Rail	2" x 3.5" x 47.5"	96"	96"	96"	
1	Bottom Rail	2" x 6" x 47.5"	96"	96"	96"	
11	Pickets	1.5" x 1.5" x 44"	44"	193.25"	193.25"	
11	Picket Caps	1.5" x 1.5"	1.5"	1.5"	1.5"	
1	Cross Brace	Cross Brace	90"	90"	90"	
1	Cross Brace Screws & Caps					
1	Vinyl Fence Glue		1.5 Oz	1.5 Oz	1.5 Oz	

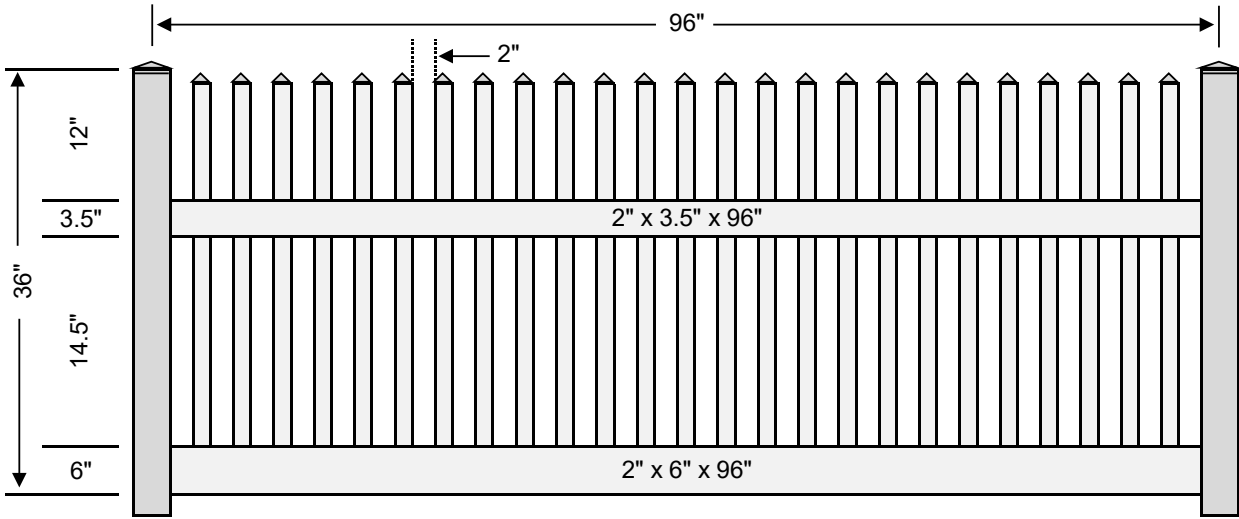
G_PI-1.5R26-4X48

P_PI-1.5R26-3X6



1	Material List			Pulled From		
	Qty	Item	Dimensions	White	Tan	Khaki
1	Top Rail	2" x 3.5" x 72"	72"	72"	72"	
1	Bottom Rail	2" x 6" x 72"	96"	96"	96"	
1	Aluminum	1.75" x 1.75" x 71.75"	95"	95"	95"	
19	Picket Caps	1.5" x 1.5"	1.5"	1.5"	1.5"	
19	Pickets	1.5" x 1.5" x 32"	32"	32"	32"	
P_PI-1.5R26-3X6						

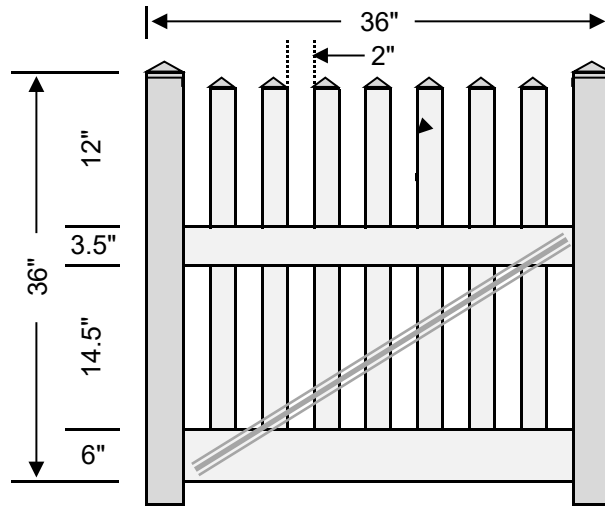
P_PI-1.5R26-3X8



1	Material List			Pulled From		
	Qty	Item	Dimensions	White	Tan	Khaki
1	Top Rail	2" x 3.5" x 96"	96"	96"	96"	
1	Bottom Rail	2" x 6" x 96"	96"	96"	96"	
1	Aluminum	1.75" x 1.75" x 95"	95"	95"	95"	
25	Picket Caps	1.5" x 1.5"	1.5"	1.5"	1.5"	
25	Pickets	1.5" x 1.5" x 32"	32"	32"	32"	

P_PI-1.5R26-3X8

G_PI-1.5R26-3X36

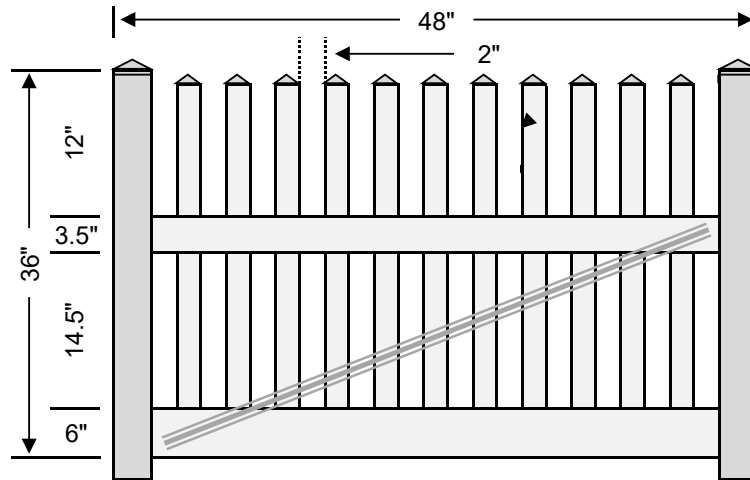


1

Material List			Pulled From		
Qty	Item	Dimension	White	Tan	Khaki
2	Socket Post	4" x 4" x 39"	39"	39"	39"
2	Post Caps	4" x 4"	4"	4"	4"
1	Top Rail	2" x 3.5" x 35.5"	72"	72"	72"
1	Bottom Rail	2" x 6" x 35.5"	96"	96"	96"
7	Picket Caps	1.5" x 1.5"	1.5"	1.5"	1.5"
7	Pickets	1.5" x 1.5" x 32"	32"	32"	32"
1	Cross Brace	Cross Brace	90"	90"	90"
1	Cross Brace Screws & Caps				
1	Vinyl Fence Glue		1.5 Oz	1.5 Oz	1.5 Oz

G_PI-1.5R26-3X36

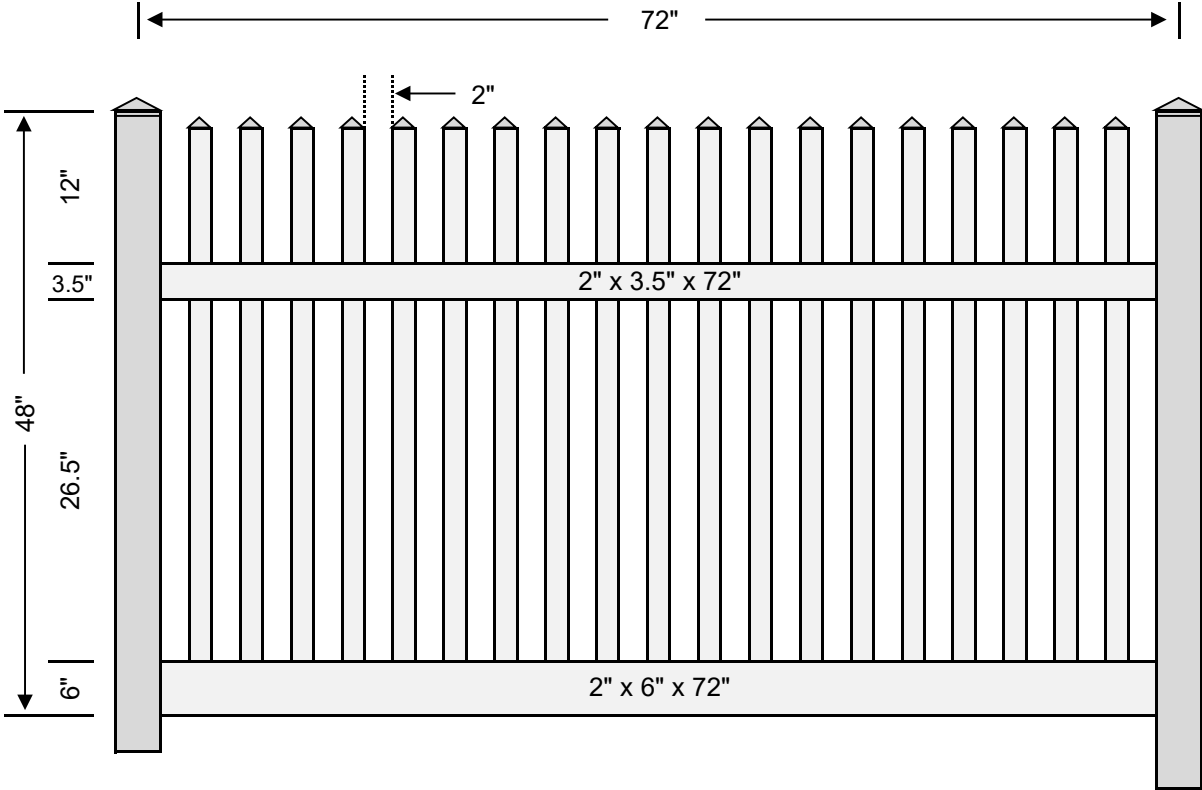
G_PI-1.5R26-3X48



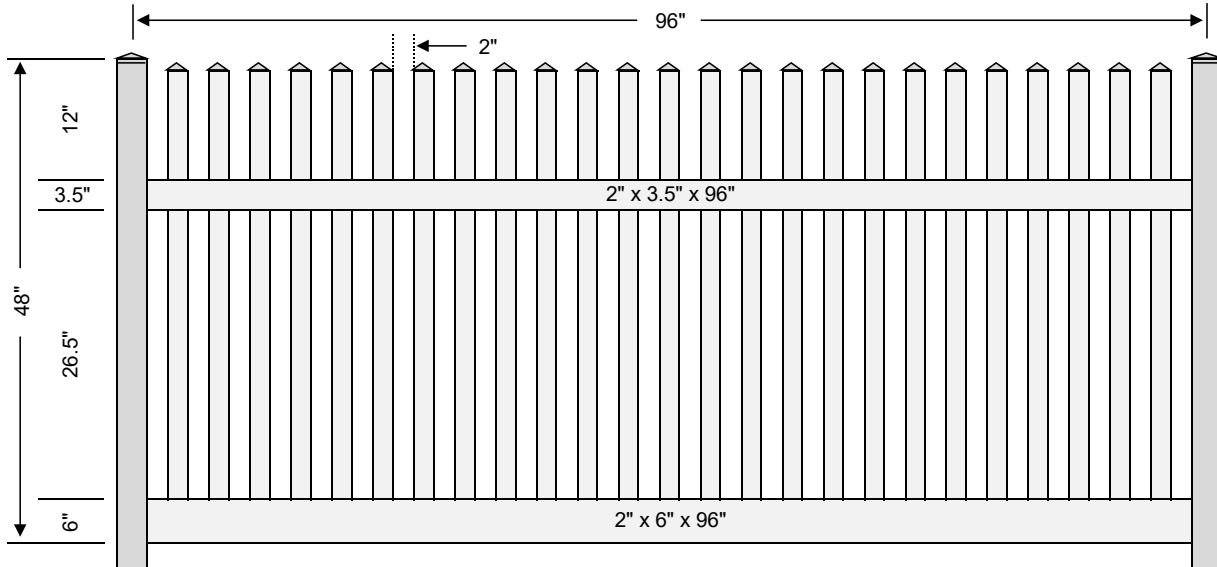
1	Material List			Pulled From		
	Qty	Item	Dimension	White	Tan	Khaki
2	Socket Post	4" x 4" x 39"	39"	39"	39"	
2	Post Caps	4" x 4"	4"	4"	4"	
1	Rail	2" x 3.5" x 47.5"	96"	96"	96"	
1	Rail	2" x 6" x 47.5"	96"	96"	96"	
11	Picket Caps	1.5" x 1.5"	1.5"	1.5"	1.5"	
11	Pickets	1.5" x 1.5" x 32"	32"	32"	32"	
1	Cross Brace	Cross Brace	90"	90"	90"	
1	Cross Brace Screws & Caps					
1	Vinyl Fence Glue		1.5 Oz	1.5 Oz	1.5 Oz	

G_PI-1.5R26-3X48

P_PI-1.5R26-4X6

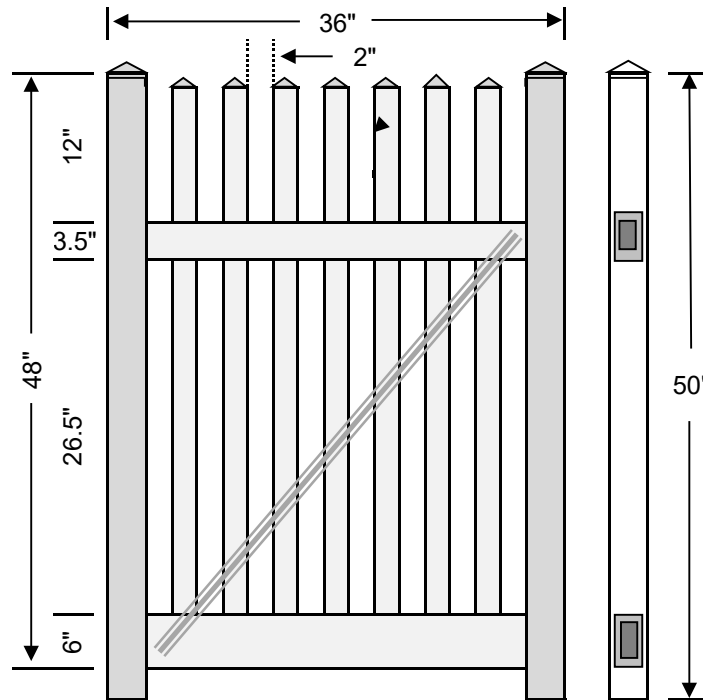


1	Material List		Pulled From		
	QTY	Item	Dimensions	White	Tan
1	Top Rail	2" x 3.5" x 72"	72"	72"	72"
1	Bottom Rail	2" x 6" x 72"	96"	96"	96"
1	Aluminum	1.75" x 1.75" x 71.75"	95"	95"	95"
19	Pickets	1.5" x 1.5" x 44"	44"	193.25"	193.25"
19	Picket Caps	1.5" x 1.5"	1.5"	1.5"	1.5"
			P_PI-1.5R26-4X6		



1		Material List	Pulled From		
QTY	Item	Dimensions	White	Tan	Khaki
1	Top Rail	2" x 3.5" x 96"	96"	96"	96"
1	Bottom Rail	2" x 6" x 96"	96"	96"	96"
1	Aluminum	1.75" x 1.75" x 95"	95"	95"	95"
25	Pickets	1.5" x 1.5" x 44"	44"	193.25"	193.25"
25	Picket Caps	1.5" x 1.5"	1.5"	1.5"	1.5"
			P_PI-1.5R26-4X8		

G_PI-1.5R26-4X36



1	Material List			Pulled From		
	Qty	Item	Dimension	White	Tan	Khaki
2	Socket Post	4" x 4" x 50"		54"	108"	108"
2	Post Caps	4" x 4"		4"	4"	4"
1	Top Rail	2" x 3.5" x 35.5"		72"	72"	72"
1	Bottom Rail	2" x 6" x 35.5"		96"	96"	96"
7	Picket Caps	1.5" x 1.5"		1.5"	1.5"	1.5"
7	Pickets	1.5" x 1.5" x 44"		44"	193.25"	193.25"
1	Cross Brace	Cross Brace		90"	90"	90"
1	Cross Brace Screws & Caps					
1	Vinyl Fence Glue			1.5 Oz	1.5 Oz	1.5 Oz
				G_PI-1.5R26-4X36		