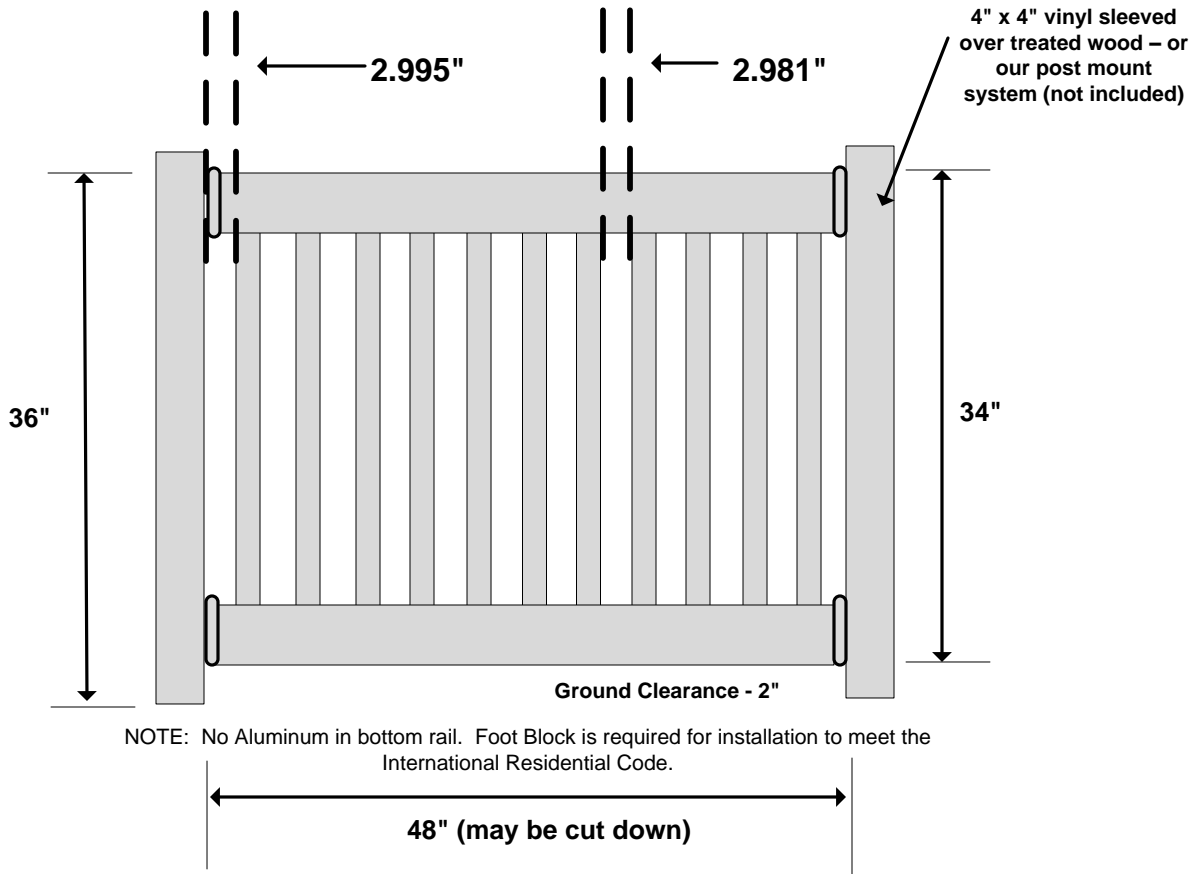


2" x 3.5" Top & Bottom DB Rail w/Colonial Pickets

Product Evaluation Report – PER-12049

4' Straight Railing Kit
WWR-R36-C4DB

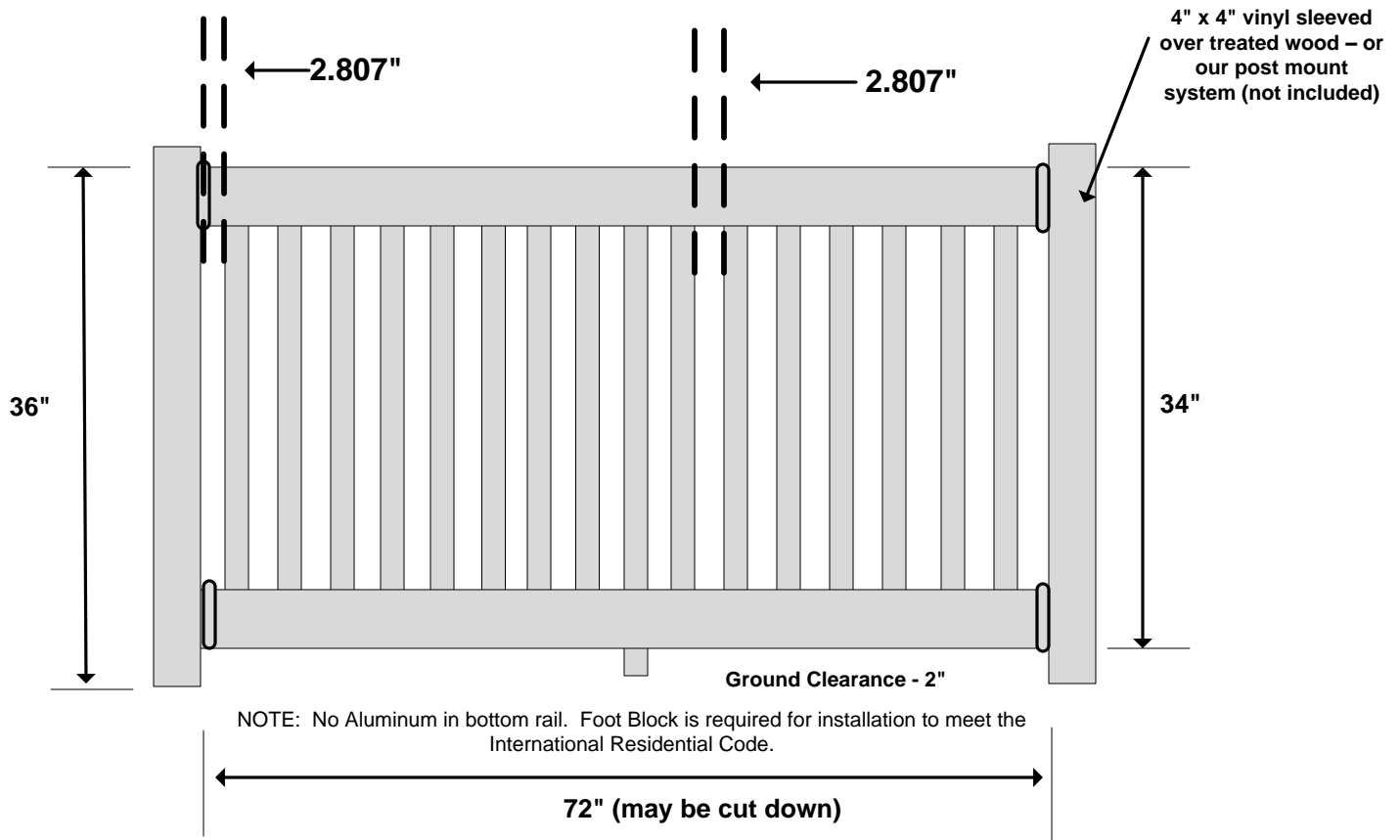


Material per 48" wide panel						
1	Number of Panels					
1	Top Rail	2" x 3.5" x 48"*				
1	Bottom Rail	2" x 3.5" x 48"*				
1	Aluminum Channel	Fits into the top rail				
2	Straight Bkts (Pairs)	2" x 3.5" Straight Set				
10	Turned Spindle	1.5" Turned Spindle x 32"*				
1	1.5" Foot Block	1.5" Foot block with trim				
1	AMBR-DECKCLIP-KIT	Deck Board Clip Kit				
*Actual Measurements may vary						

2" x 3.5" Top & Bottom DB Rail w/Colonial Pickets

Product Evaluation Report – PER-12049

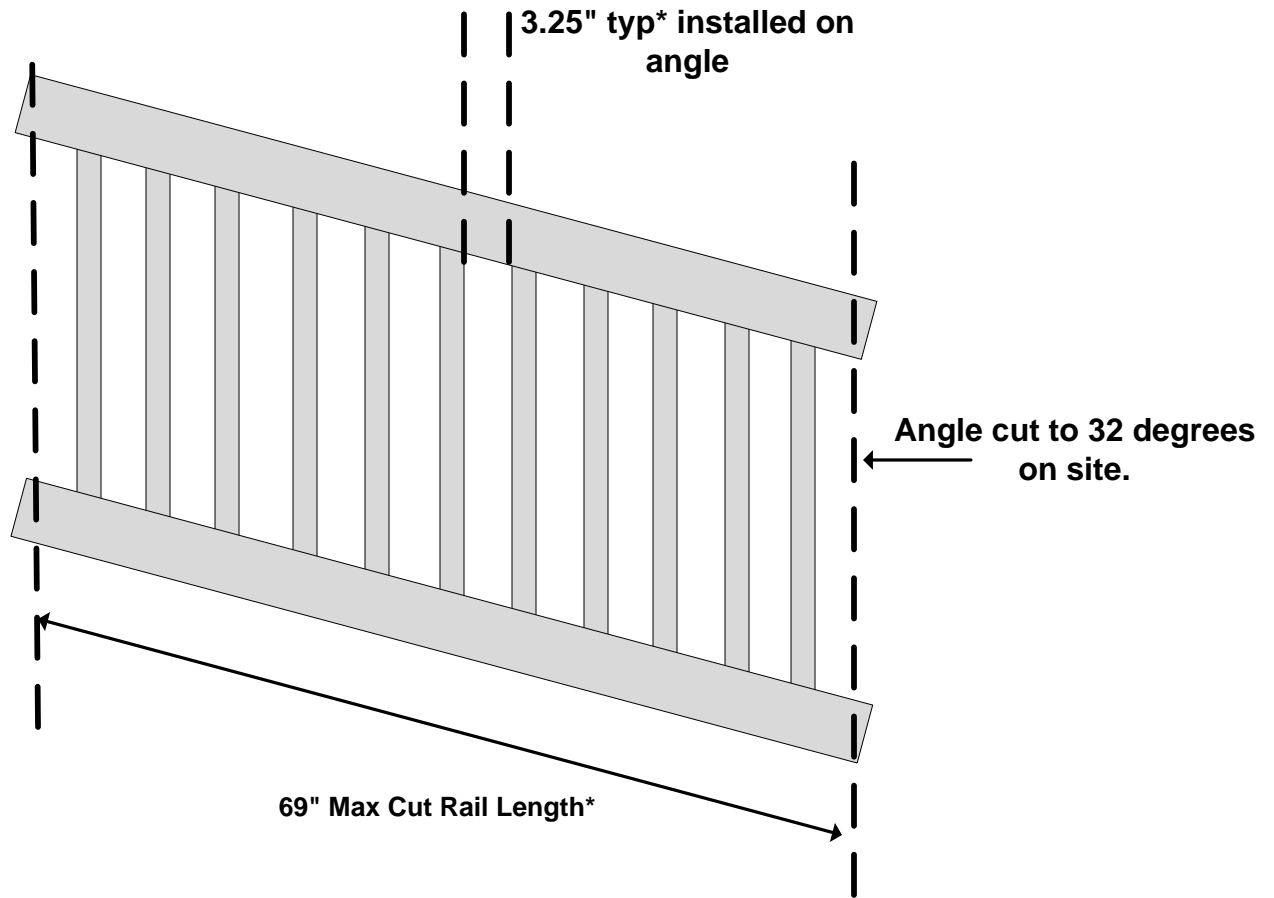
6' Straight Railing Kit
WWR-R36-C6DB



Material per 72" wide panel		
1	Number of Panels	
1	Top Rail	2" x 3.5" x 72"*
1	Bottom Rail	2" x 3.5" x 72"*
1	Aluminum Channel	Fits into the top rail
2	Straight Bkts (Pairs)	2" x 3.5" Straight Set
16	Turned Spindle	1.5" Turned Spindle x 32"*
1	1.5" Foot Block	1.5" Foot block with trim
1	AMBR-DECKCLIP-KIT	Deck Board Clip Kit
*Actual Measurements may vary		

2"x3.5" Top & Bottom DB Rails W/Colonial Pickets

WWR-R36-C6DBS

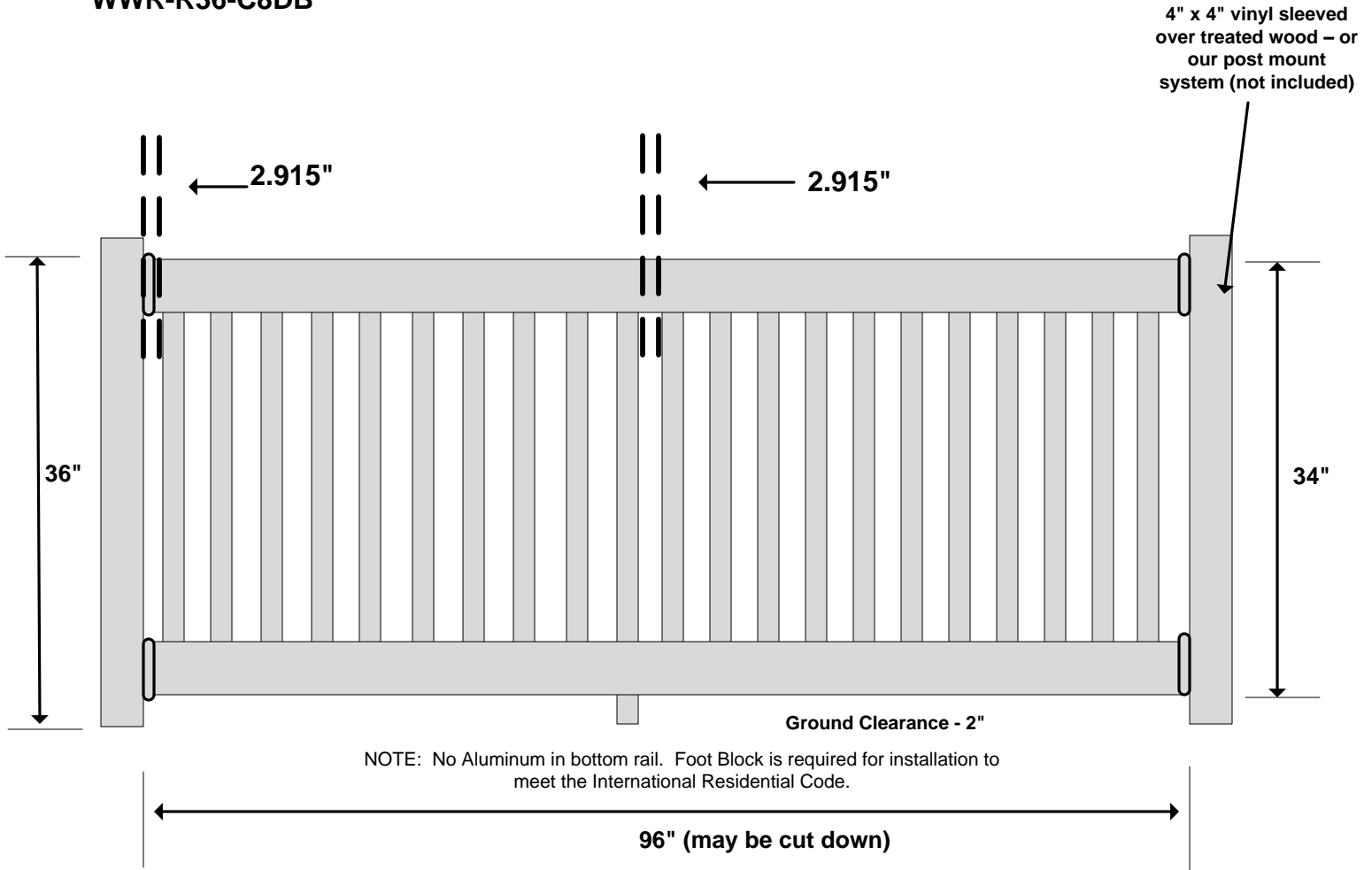


Material per 72" wide panel							
1	Number of Panels						
1	Top Rail	2" x 3.5" x 72"*					
1	Bottom Rail	2" x 3.5" x 72"*					
2	6' Aluminum Channel	Fits in Top and Bottom Rail					
1	Stair DB 2" x 3.5" (pair)	2" x 3.5" Deck Board Stair Brackets					
1	Stair 2" x 3.5" (pair)	2" x 3.5"					
12	Turned Spindle	Turned Spindle x 32"*					
1	AMBR-DECKCLIP-KIT	Deck Board Clip Kit					
	*Actual Measurements may vary						

2" x 3.5" Top & Bottom DB Rail w/Colonial Pickets

Product Evaluation Report – PER-12049

8' Straight Railing Kit
WWR-R36-C8DB

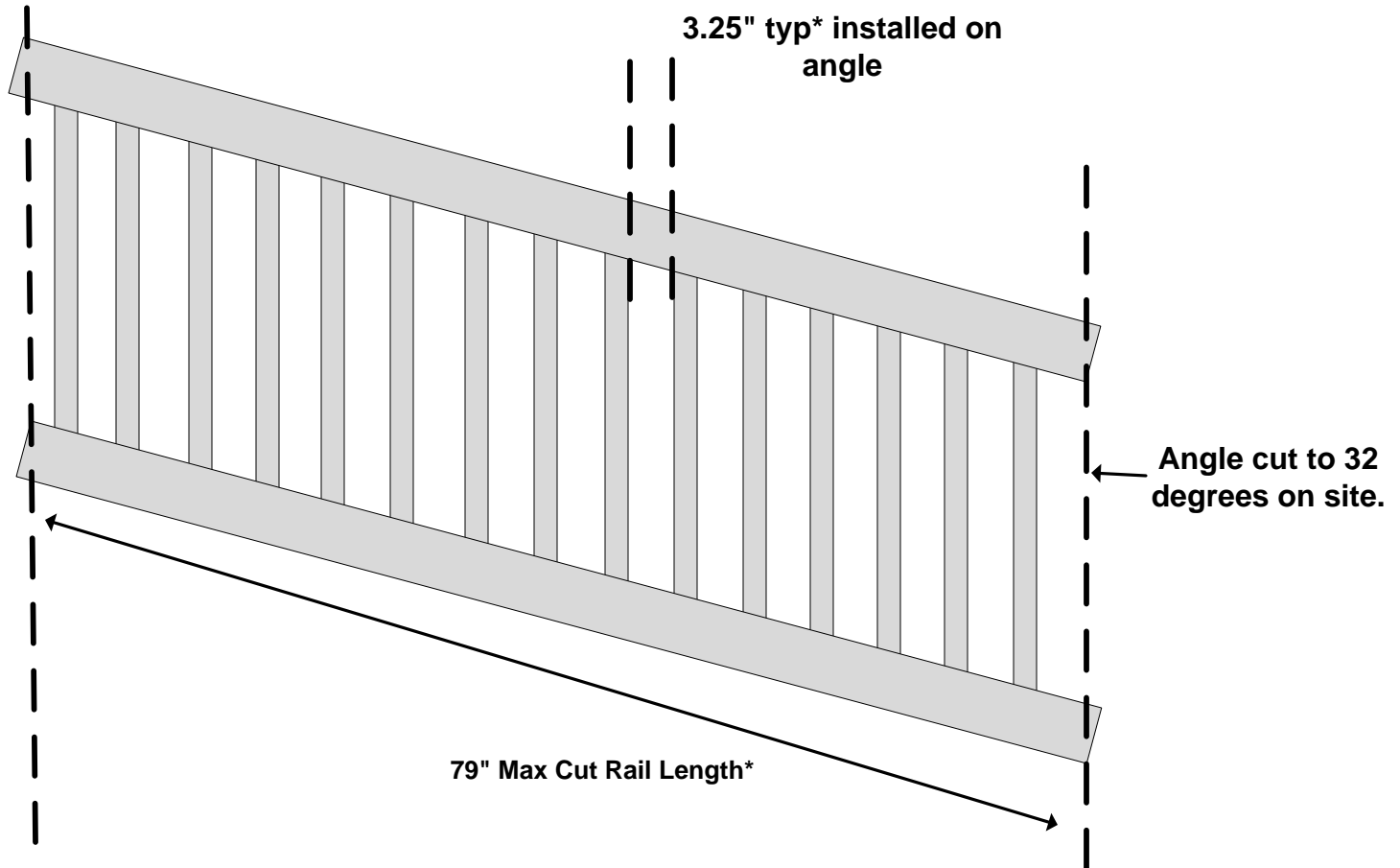


Material per 96" wide panel

1	Number of Panels					
1	Top Rail	2" x 3.5" x 96"*				
1	Bottom Rail	2" x 3.5" x 96"*				
1	Aluminum Channel	Fits into the top rail				
2	Straight Bkts (Pairs)	2" x 3.5" Straight Set				
21	Turned Spindle	1.5" Turned Spindle x 32"*				
1	1.5" Foot Block	1.5" Foot block with trim				
1	AMBR-DECKCLIP-KIT	Deck Board Clip Kit				
	*Actual Measurements may vary					

2"x3.5" Top & Bottom DB Rails W/Colonial Pickets

WWR-R36-C8DBS

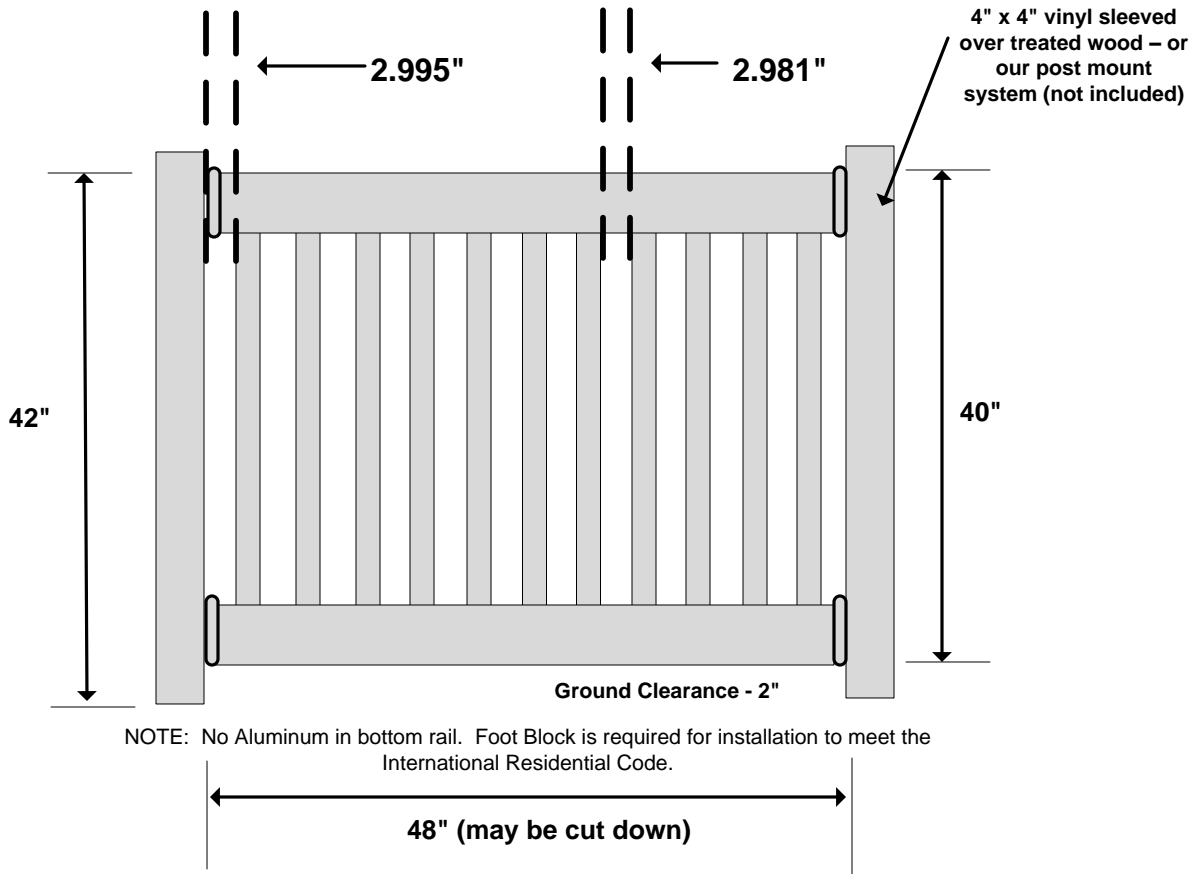


Material per 96" wide panel						
1	Number of Panels					
1	Top Rail	2" x 3.5" x 96"*				
1	Bottom Rail	2" x 3.5" x 96"*				
2	8' Aluminum Channel	Fits in Top and Bottom Rail				
1	Stair DB 2" x 3.5" (pair)	2" x 3.5" Deck Board Stair Brackets				
1	Stair 2" x 3.5" (pair)	2" x 3.5" Stair Brackets				
16	Turned Spindle	Turned Spindle x 32"*				
1	AMBR-DECKCLIP-KIT	Deck Board Clip Kit				

2" x 3.5" Top & Bottom DB Rail w/Colonial Pickets

Product Evaluation Report – PER-12049

4' Straight Railing Kit
WWR-R42-C4DB



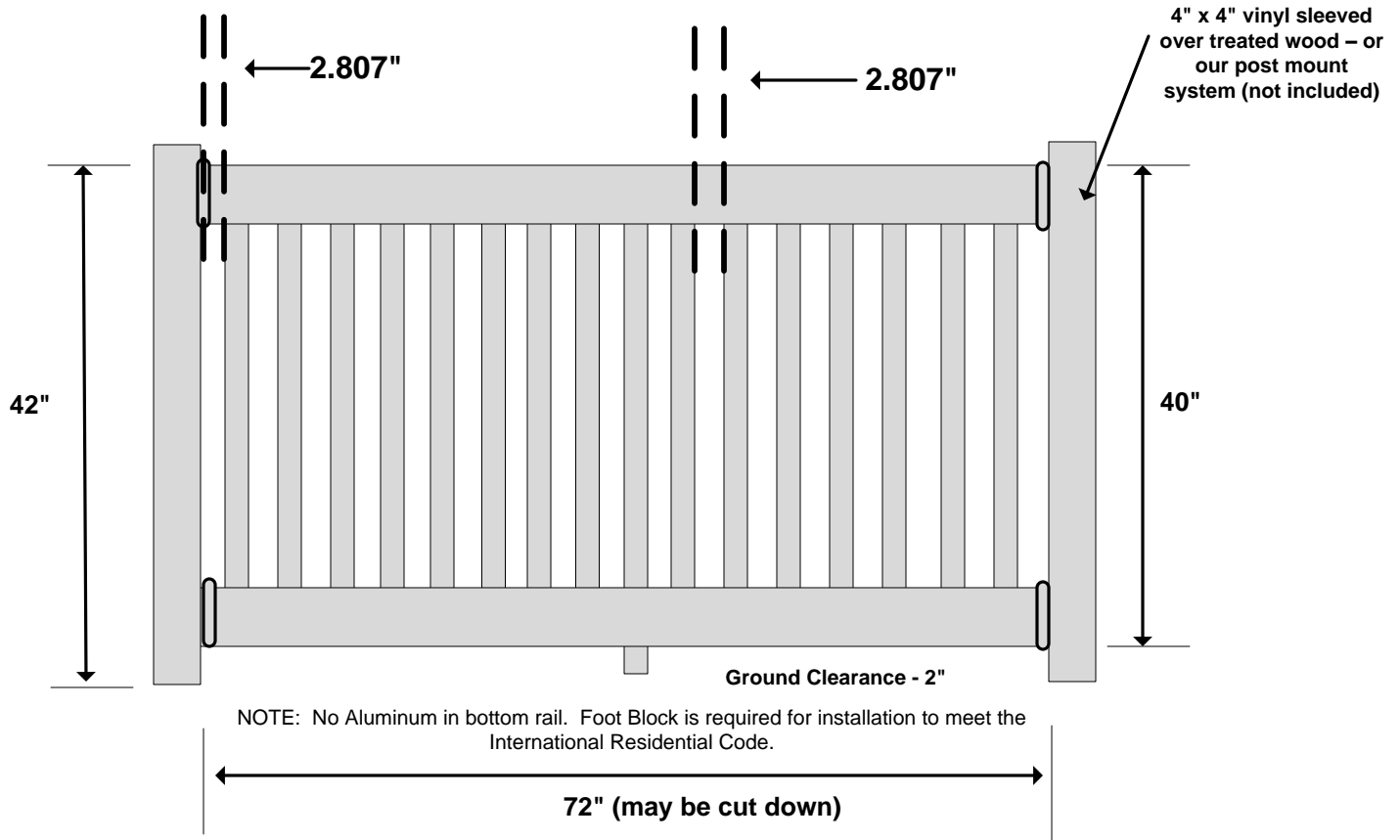
Material per 48" wide panel

1	Number of Panels				
1	Top Rail	2" x 3.5" x 48"*			
1	Bottom Rail	2" x 3.5" x 48"*			
1	Aluminum Channel	Fits into the top rail			
2	Straight Bkts (Pairs)	2" x 3.5" Straight Set			
10	Turned Spindle	1.5" Turned Spindle x 38"*			
1	1.5" Foot Block	1.5" Foot block with trim			
1	AMBR-DECKCLIP-KIT	Deck Board Clip Kit			
	*Actual Measurements may vary				

2" x 3.5" Top & Bottom DB Rail w/Colonial Pickets

Product Evaluation Report – PER-12049

6' Straight Railing Kit
WWR-R42-C6DB

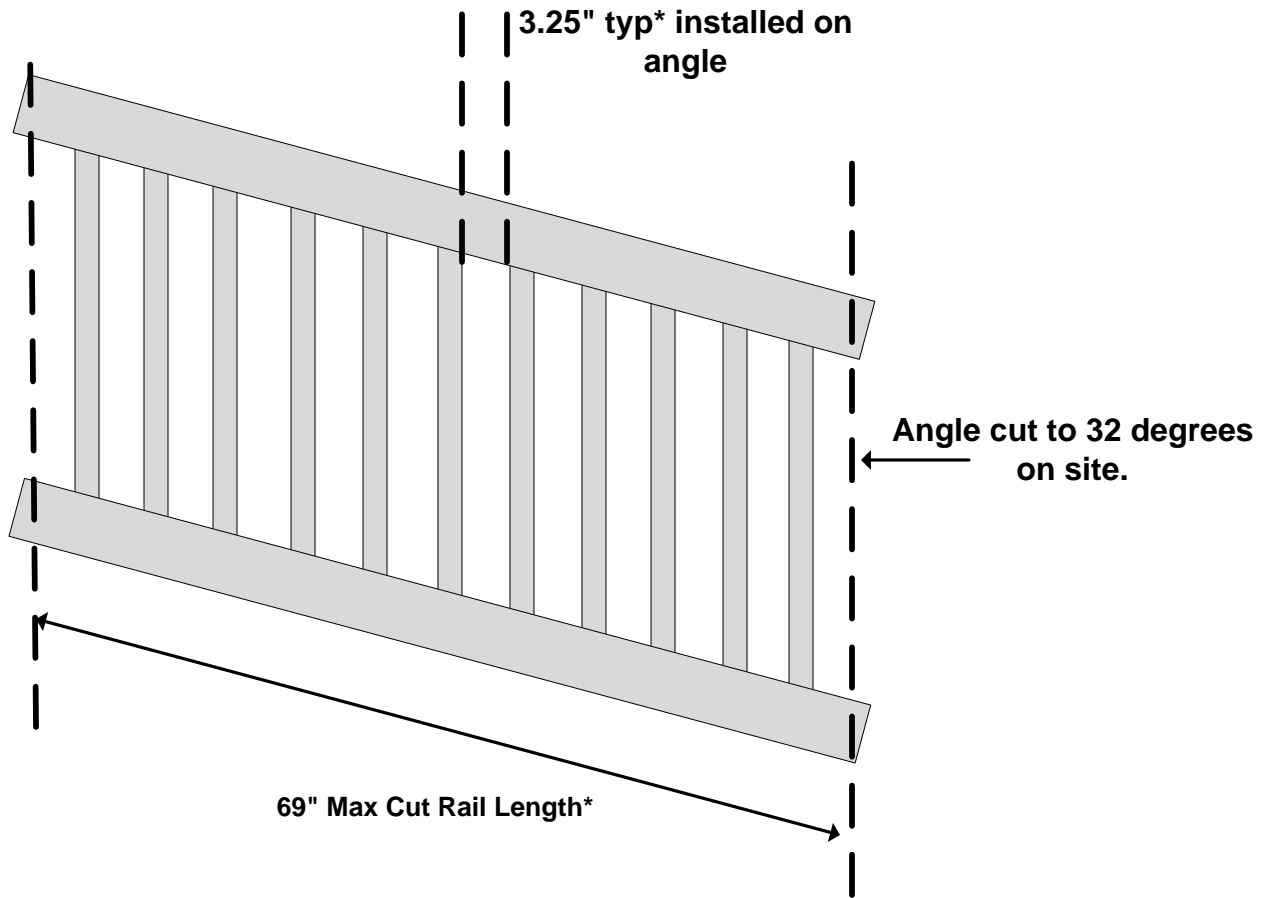


Material per 72" wide panel

1	Number of Panels				
1	Top Rail	2" x 3.5" x 72"*			
1	Bottom Rail	2" x 3.5" x 72"*			
1	Aluminum Channel	Fits into the top rail			
2	Straight Bkts (Pairs)	2" x 3.5" Straight Set			
16	Turned Spindle	1.5" Turned Spindle x 38"*			
1	1.5" Foot Block	1.5" Foot block with trim			
1	AMBR-DECKCLIP-KIT	Deck Board Clip Kit			
	*Actual Measurements may vary				

2"x3.5" Top & Bottom DB Rails W/Colonial Pickets

WWR-R42-C6DBS

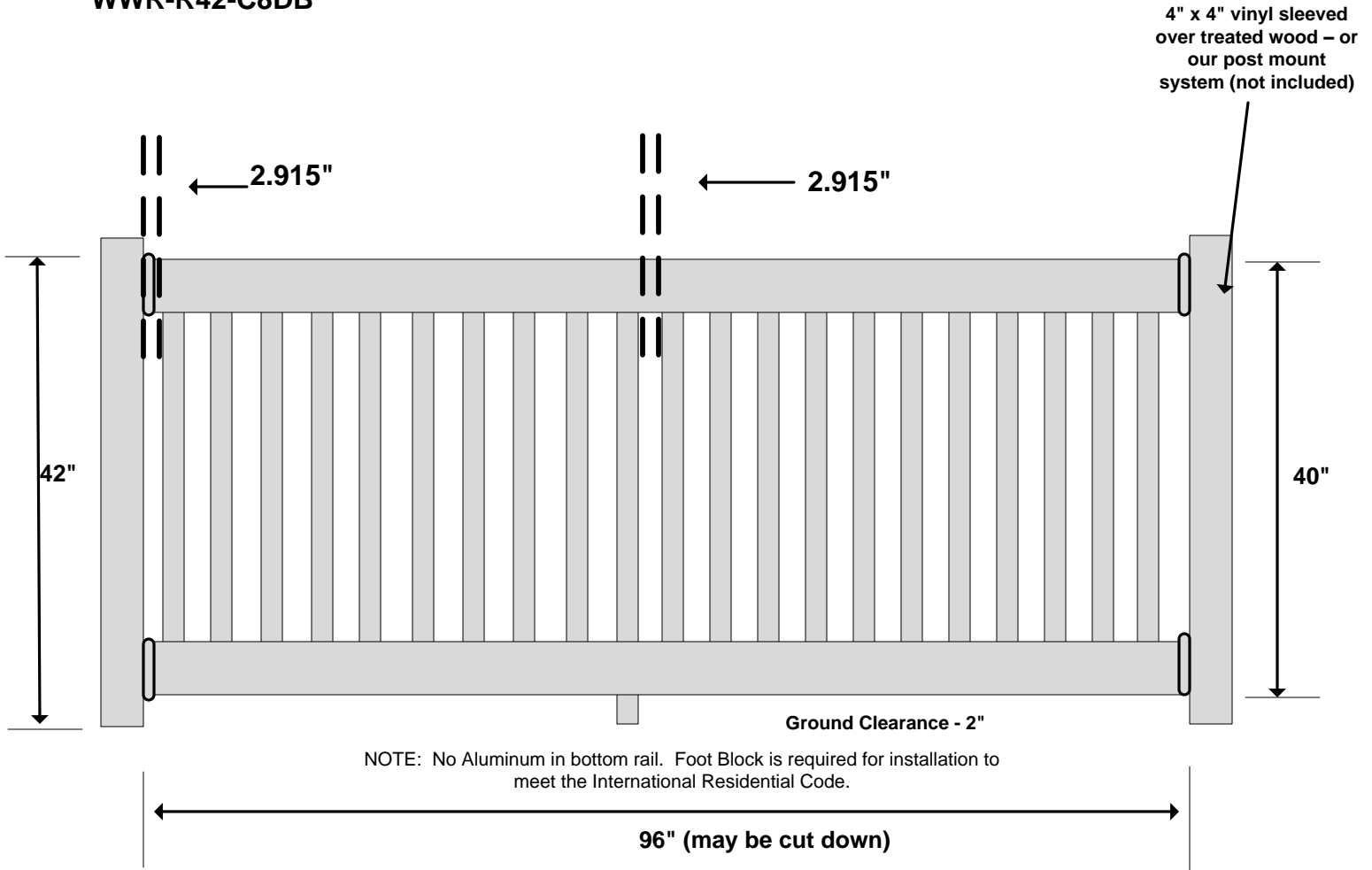


Material per 72" wide panel							
1	Number of Panels						
1	Top Rail	2" x 3.5" x 72"*					
1	Bottom Rail	2" x 3.5" x 72"*					
2	6' Aluminum Channel	Fits in Top and Bottom Rail					
1	Stair DB 2" x 3.5" (pair)	2" x 3.5" Deck Board Stair Brackets					
1	Stair 2" x 3.5" (pair)	2" x 3.5"					
12	Turned Spindle	Turned Spindle x 38"*					
1	AMBR-DECKCLIP-KIT	Deck Board Clip Kit					
*Actual Measurements may vary							

2" x 3.5" Top & Bottom DB Rail w/Colonial Pickets

Product Evaluation Report – PER-12049

8' Straight Railing Kit
WWR-R42-C8DB

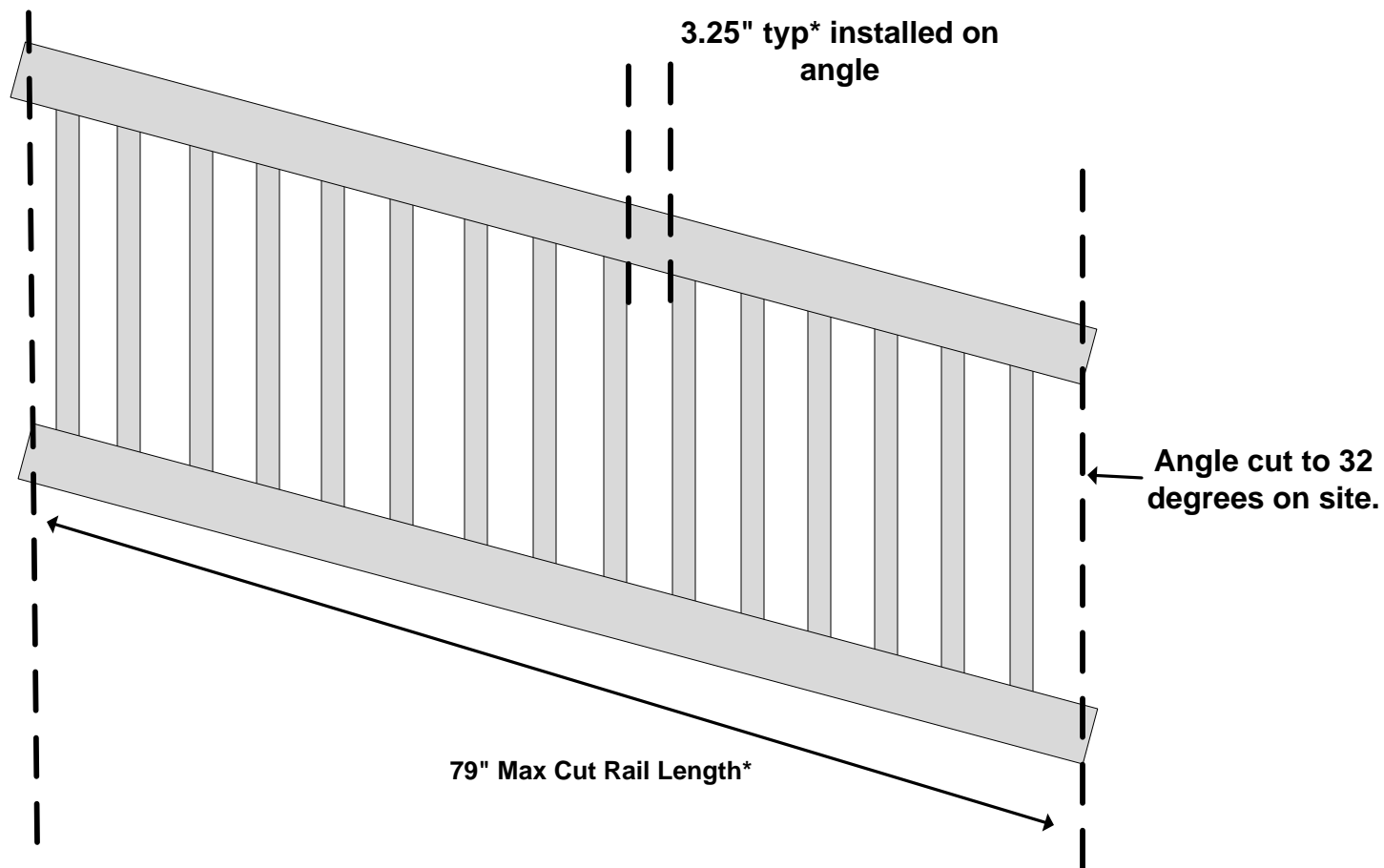


Material per 96" wide panel

1	Number of Panels				
1	Top Rail	2" x 3.5" x 96"*			
1	Bottom Rail	2" x 3.5" x 96"*			
1	Aluminum Channel	Fits into the top rail			
2	Straight Bkts (Pairs)	2" x 3.5" Straight Set			
21	Turned Spindle	1.5" Turned Spindle x 38"*			
1	1.5" Foot Block	1.5" Foot block with trim			
1	AMBR-DECKCLIP-KIT	Deck Board Clip Kit			
	*Actual Measurements may vary				

2"x3.5" Top & Bottom DB Rails W/Colonial Pickets

WWR-R42-C8DBS



Material per 96" wide panel						
1	Number of Panels					
1	Top Rail	2" x 3.5" x 96"*				
1	Bottom Rail	2" x 3.5" x 96"*				
2	8' Aluminum Channel	Fits in Top and Bottom Rail				
1	Stair DB 2" x 3.5" (pair)	2" x 3.5" Deck Board Stair Brackets				
1	Stair 2" x 3.5" (pair)	2" x 3.5"				
16	Turned Spindle	Turned Spindle x 38"*				
1	AMBR-DECKCLIP-KIT	Deck Board Clip Kit				
*Actual Measurements may vary						