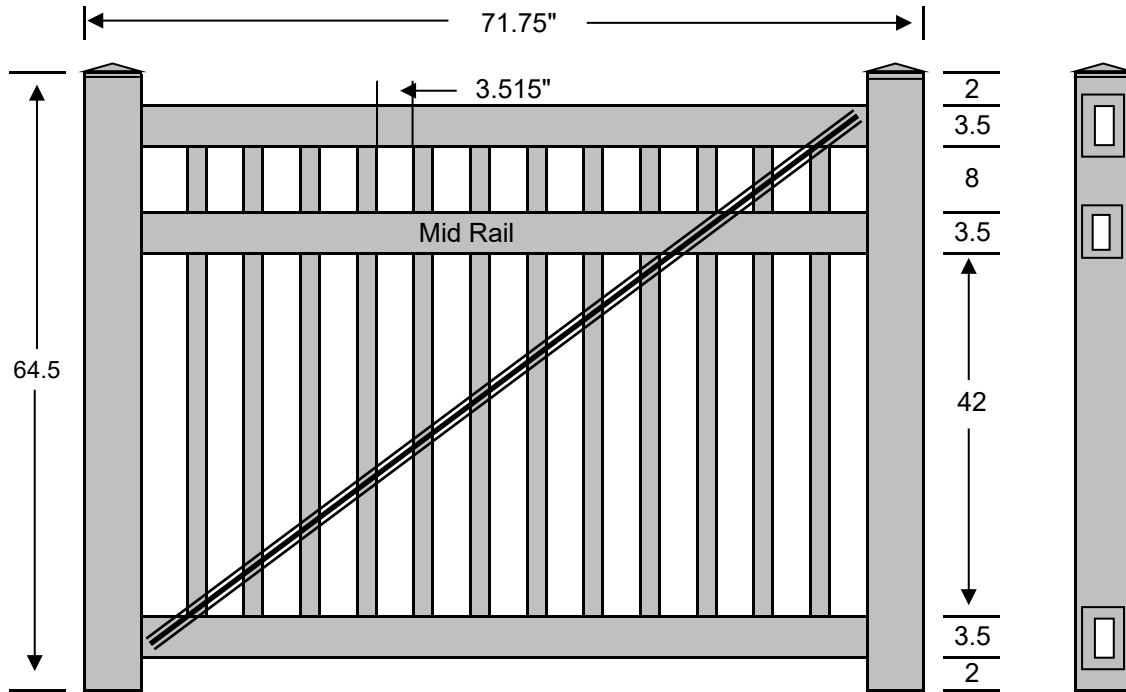


G_PO-1.5-5X72

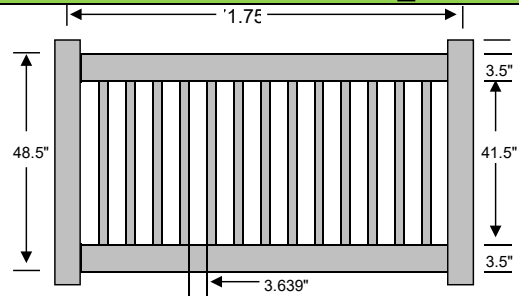


1	Material List		Pulled From		
	QTY	Item	Dimensions	White	Tan
2	Socket Posts	4" x 4" x 64.5"	71.75"	84"	84"
2	Post Caps	4" x 4"	4"	4"	4"
1	Top Rail	2" x 3.5" x 71.5"	71.75"	71.75"	71.75"
1	Mid Rail	2" x 3.5" x 71.5"	71.75"	71.75"	71.75"
1	Bottom Rail	2" x 3.5" x 71.5"	71.75"	71.75"	71.75"
1	Aluminum	1.5" x 3.25" x 71"	71.5"	71.5"	71.5"
1	Cross Brace	Cross Brace	90"	90"	90"
12	Pickets	0.875" x 1.5" x 59"	59"	193.25"	193.25"
1	Vinyl Fence Glue		1.5 Oz	1.5 Oz	1.5 Oz
1	Cross Brace Screw and Cap				

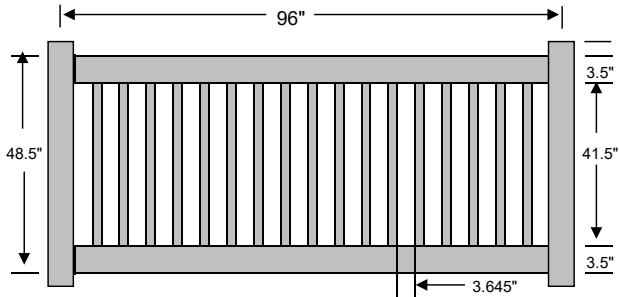
G_PO-1.5-5X72

P_PO-1.5-4 Master

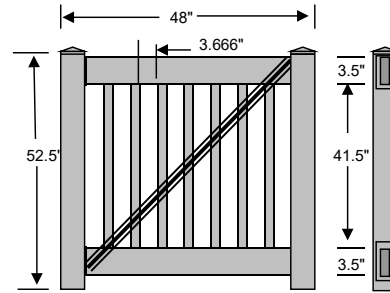
1		Material List			Pulled From		
Qty	Item	Dimensions	White	Tan	Khaki		
2	Rails	1.75" x 3.5" x 71.75"	71.75"	71.75"	71.75"		
1	Aluminum	1.5" x 3.25" x 71.5"	71.5"	71.5"	71.5"		
13	Pickets	0.875" x 1.5" x 47"	47"	193.25"	193.25"		
P_PO-1.5-4X6							



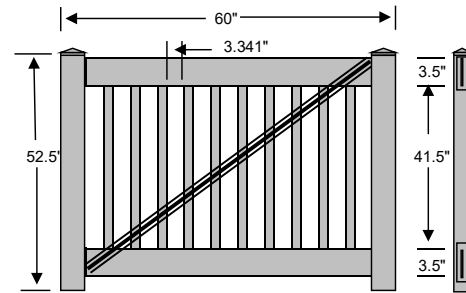
1		Material List			Pulled From		
Qty	Item	Dimensions	White	Tan	Khaki		
2	Rails	1.75" x 3.5" x 95.75"	95.75"	95.75"	95.75"		
1	Aluminum	1.5" x 3.25" x 95.5"	95.5"	95.5"	95.5"		
17	Pickets	0.875" x 1.5" x 47"	47"	193.25"	193.25"		
P_PO-1.5-4X8							



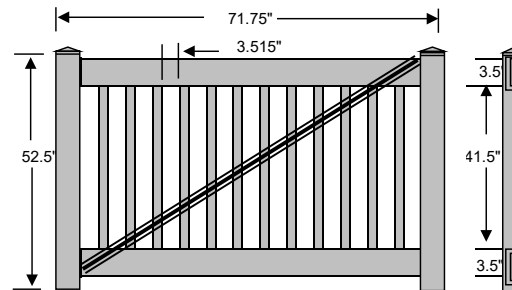
1		Material List			Pulled From		
Qty	Item	Dimensions	White	Tan	Khaki		
2	Socket Post	4" x 4" x 52.5"	54"	108"	108"		
2	Post Caps	4" x 4"	4"	4"	4"		
2	Rails	1.75" x 3.5" x 47.5"	95.75"	95.75"	95.75"		
1	Aluminum	1.5" x 3.25" x 47"	95.5"	95.5"	95.5"		
1	Cross Brace	Cross Brace	90"	90"	90"		
7	Pickets	0.875" x 1.5" x 47"	47"	193.25"	193.25"		
1	Vinyl Fence Glue		1.5 Oz	1.5 Oz	1.5 Oz		
1	Cross Brace Screw and Cap						
G_PO-1.5-4X48							



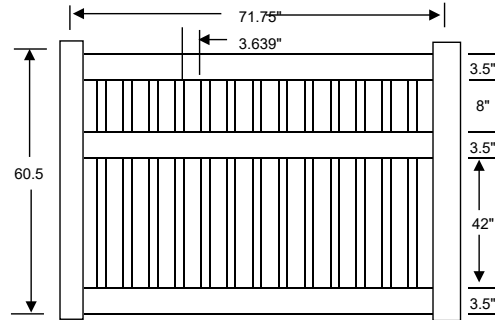
1		Material List			Pulled From		
Qty	Item	Dimensions	White	Tan	Khaki		
2	Socket Post	4" x 4" x 52.5"	54"	108"	108"		
2	Post Caps	4" x 4"	4"	4"	4"		
2	Rails	1.75" x 3.5" x 59.5"	71.75"	71.75"	71.75"		
1	Aluminum	1.5" x 3.25" x 59"	71.5"	71.5"	71.5"		
1	Cross Brace	Cross Brace	90"	90"	90"		
10	Pickets	0.875" x 1.5" x 47"	47"	193.25"	193.25"		
1	Vinyl Fence Glue		1.5 Oz	1.5 Oz	1.5 Oz		
1	Cross Brace Screw and Cap						
G_PO-1.5-4X60							



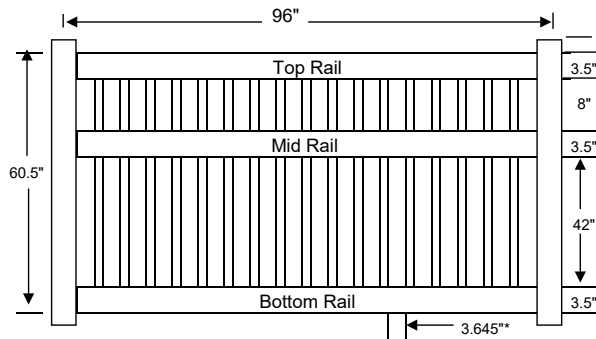
1		Material List			Pulled From		
Qty	Item	Dimensions	White	Tan	Khaki		
2	Socket Post	4" x 4" x 52.5"	54"	108"	108"		
2	Post Caps	4" x 4"	4"	4"	4"		
2	Rails	1.75" x 3.5" x 71.5"	71.75"	71.75"	71.75"		
1	Aluminum	1.5" x 3.25" x 71"	71.5"	71.5"	71.5"		
1	Cross Brace	Cross Brace	90"	90"	90"		
12	Pickets	0.875" x 1.5" x 47"	47"	193.25"	193.25"		
1	Vinyl Fence Glue		1.5 Oz	1.5 Oz	1.5 Oz		
1	Cross Brace Screw and Cap						
G_PO-1.5-4X72							



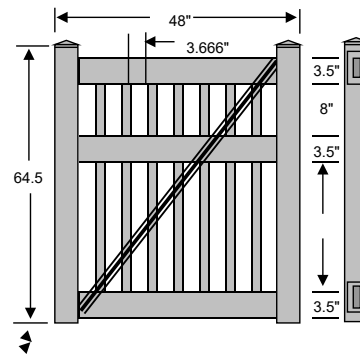
1 Material List			Pulled From		
Qty	Item	Dimensions	White	Tan	Khaki
1	Top Rail	1.75" x 3.5" x 71.75"	71.75"	71.75"	71.75"
1	Mid Rail	1.75" x 3.5" x 71.75"	71.75"	71.75"	71.75"
1	Bottom Rail	1.75" x 3.5" x 71.75"	71.75"	71.75"	71.75"
1	Aluminum	1.5" x 3.25" x 71.5"	71.5"	71.5"	71.5"
13	Pickets	0.875" x 1.5" x 59"	59"	193.25"	193.25"
P_PO-1.5-5X6					



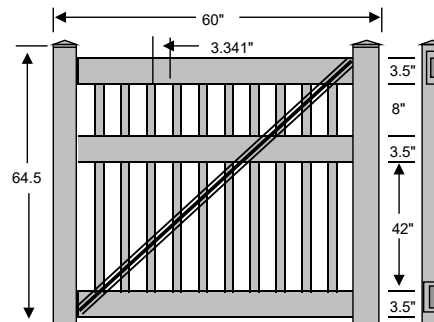
1 Material List			Pulled From		
Qty	Item	Dimensions	White	Tan	Khaki
1	Top Rail	1.75" x 3.5" x 95.75"	95.75"	95.75"	95.75"
1	Mid Rail	1.75" x 3.5" x 95.75"	95.75"	95.75"	95.75"
1	Bottom Rail	1.75" x 3.5" x 95.75"	95.75"	95.75"	95.75"
1	Aluminum	1.5" x 3.25" x 95.5"	95.5"	95.5"	95.5"
17	Pickets	0.875" x 1.5" x 59"	59"	193.25"	193.25"
P_PO-1.5-5X8					

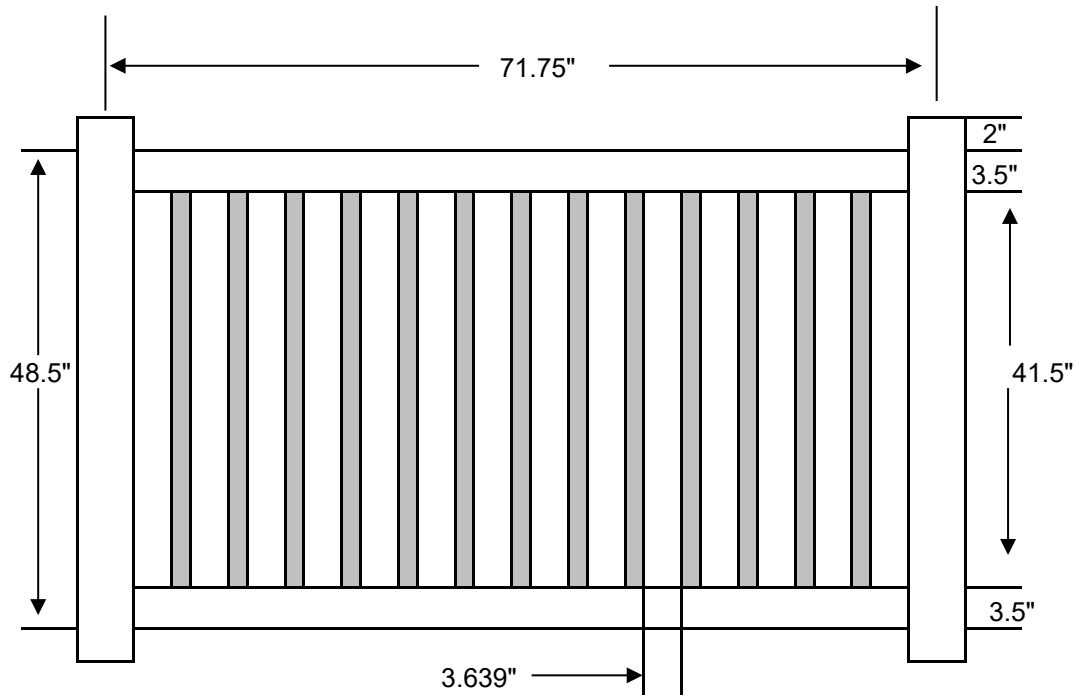


1 Material List			Pulled From		
Qty	Item	Dimensions	White	Tan	Khaki
2	Socket Posts	4" x 4" x 64.5"	71.75"	84"	84"
2	Post Caps	4" x 4"	4"	4"	4"
1	Top Rails	1.75" x 3.5" x 47.5"	95.75"	95.75"	95.75"
1	Mid Rails	1.75" x 3.5" x 47.5"	95.75"	95.75"	95.75"
1	Bottom Rails	1.75" x 3.5" x 47.5"	95.75"	95.75"	95.75"
1	Aluminum	1.5" x 3.25" x 47"	95.5"	95.5"	95.5"
1	Cross Brace	Cross Brace	90"	90"	90"
7	Pickets	0.875" x 1.5" x 59"	59"	193.25"	193.25"
1	Vinyl Fence Glue		1.5 Oz	1.5 Oz	1.5 Oz
1	Cross Brace Screw and Cap				
P_PO-1.5-5X48					



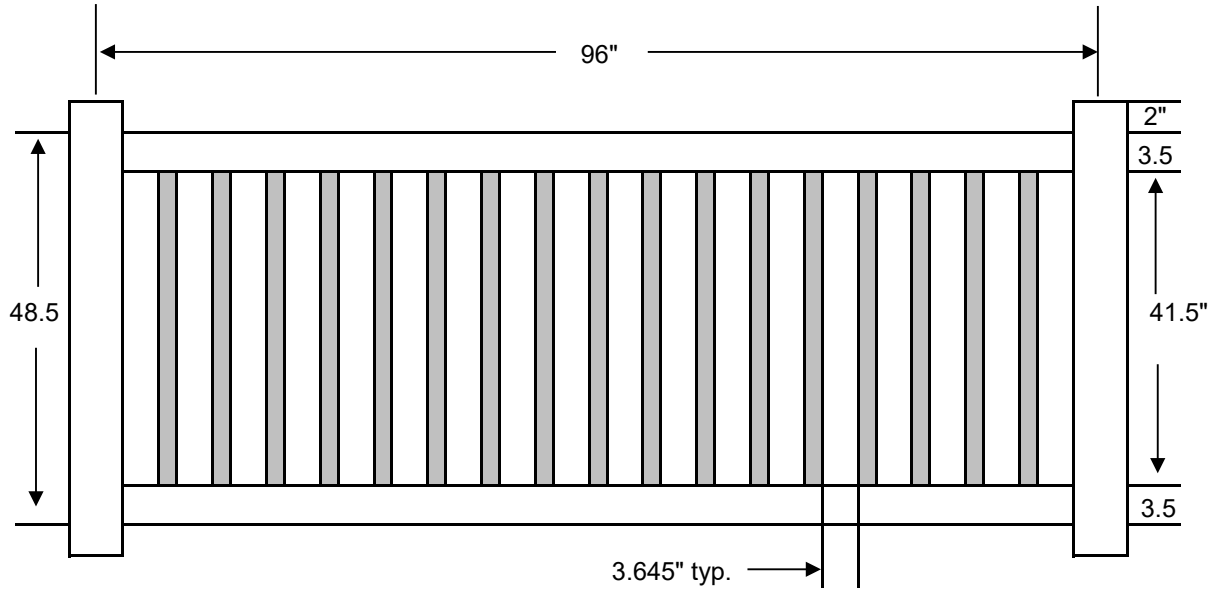
1 Material List			Pulled From		
Qty	Item	Dimensions	White	Tan	Khaki
2	Socket Posts	4" x 4" x 64.5"	71.75"	84"	84"
2	Post Caps	4" x 4"	4"	4"	4"
1	Top Rails	1.75" x 3.5" x 59.5"	71.75"	71.75"	71.75"
1	Mid Rails	1.75" x 3.5" x 59.5"	71.75"	71.75"	71.75"
1	Bottom Rails	1.75" x 3.5" x 59.5"	71.75"	71.75"	71.75"
1	Aluminum	1.5" x 3.25" x 59"	71.5"	71.5"	71.5"
1	Cross Brace	Cross Brace	90"	90"	90"
10	Pickets	0.875" x 1.5" x 59"	59"	193.25"	193.25"
1	Vinyl Fence Glue		1.5 Oz	1.5 Oz	1.5 Oz
1	Cross Brace Screw and Cap				
P_PO-1.5-5X60					





1			Material List		Pulled From		
Qty	Item	Dimension	White	Tan	Khaki		
2	Rails	2" x 3.5" x 71.75"	71.75"	71.75"	71.75"		
1	Aluminum	1.5" x 3.25" x 71.5"	71.5"	71.5"	71.5"		
13	Pickets	0.875" x 1.5" x 47"	47"	193.25"	193.25"		
			P_PO-1.5-4X6				

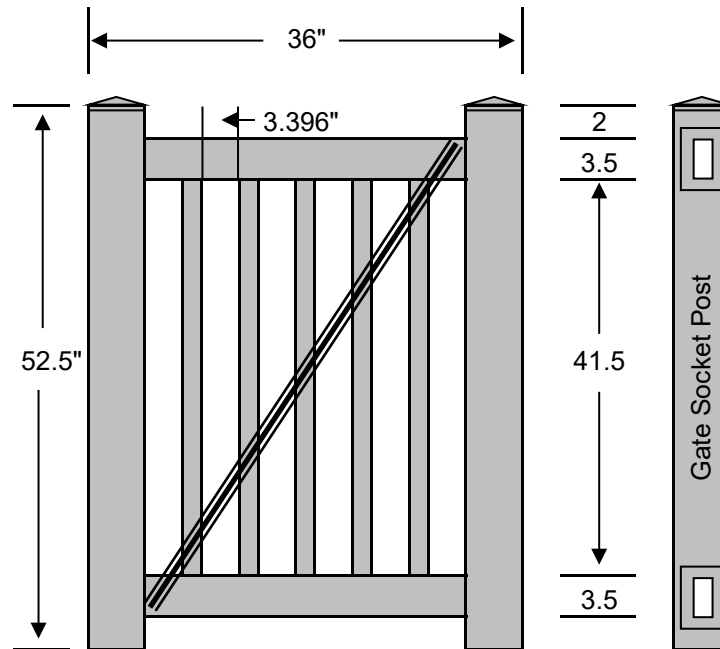
P_PO-1.5-4X8



1	Material List		Pulled From		
	Qty	Item	Dimension	White	Tan
2	Rails	2" x 3.5" x 95.75"	95.75"	95.75"	95.75"
1	Aluminum	1.5" x 3.25" x 95.5"	95.5"	95.5"	95.5"
17	Pickets	0.875" x 1.5" x 47"	47"	193.25"	193.25"

P_PO-1.5-4X8

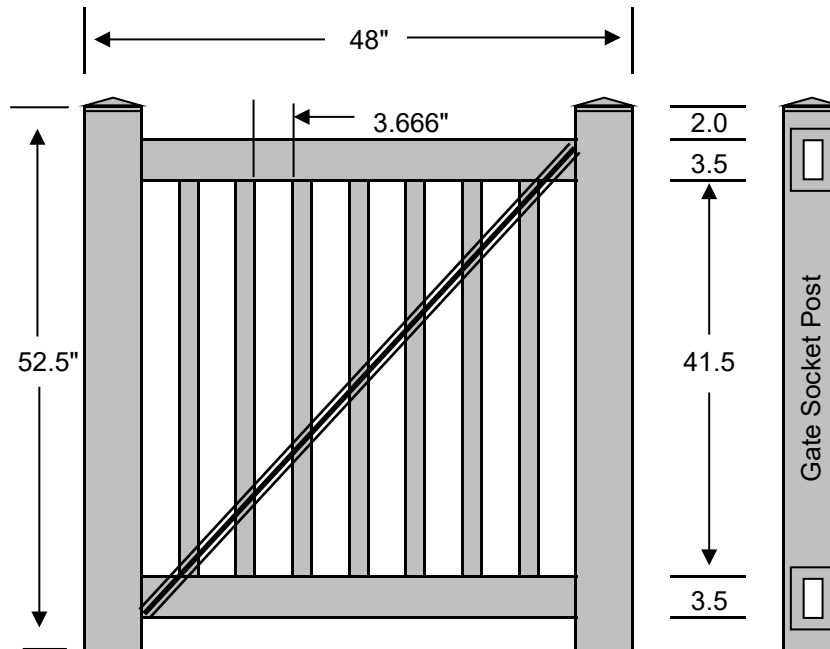
G_PO-1.5-4X36



1		Material List	Pulled From		
QTY	Item	Dimensions	White	Tan	Khaki
2	Socket Posts	4" x 4" x 52.5"	54"	108"	108"
2	Post Caps	4" x 4"	4"	4"	4"
1	Top Rail	2" x 3.5" x 35.5"	71.75"	71.75"	71.75"
1	Bottom Rail	2" x 3.5" x 35.5"	71.75"	71.75"	71.75"
1	Aluminum	1.5" x 3.75" x 35"	71.5"	71.5"	71.5"
1	Cross Brace	Cross Brace	90"	90"	90"
5	Pickets	0.875" x 1.5" x 47"	47"	193.25"	193.25"
1	Vinyl Fence Glue		1.5 Oz	1.5 Oz	1.5 Oz
1	Cross Brace Screw and Cap				

G_PO-1.5-4X36

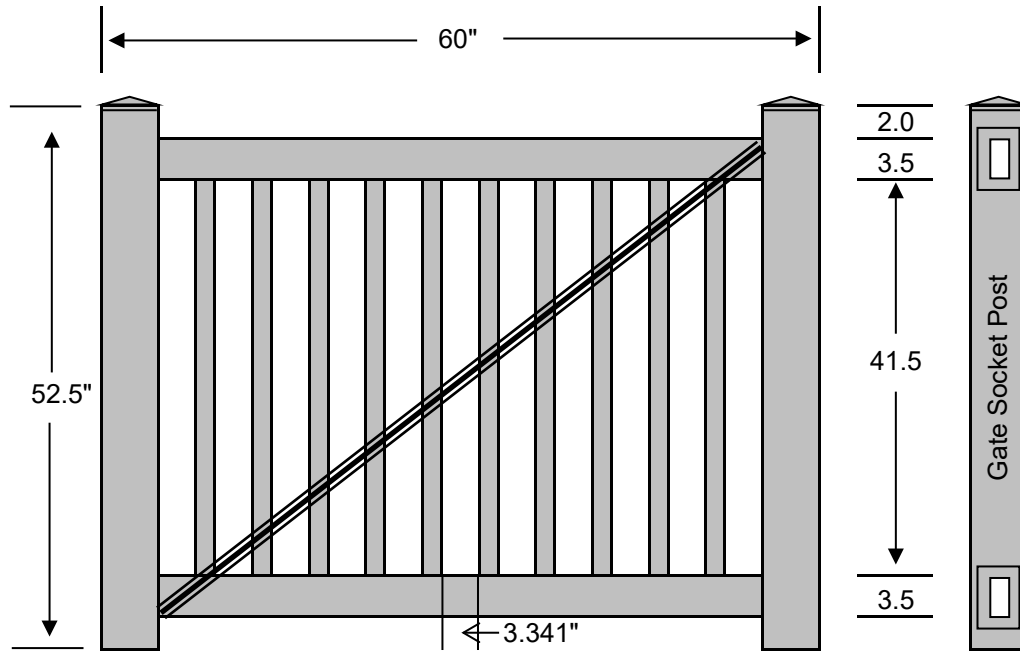
G_PO-1.5-4X48



1		Material List		Pulled From		
QTY	Item	Dimensions	White	Tan	Khaki	
2	Socket Posts	4" x 4" x 52.5"	54"	108"	108"	
2	Post Caps	4" x 4"	4"	4"	4"	
1	Top Rail	2" x 3.5" x 47.5"	95.75"	95.75"	95.75"	
1	Bottom Rail	2" x 3.5" x 47.5"	95.75"	95.75"	95.75"	
1	Aluminum	1.5" x 3.25" x 47"	95.5"	95.5"	95.5"	
1	Cross Brace	Cross Brace	90"	90"	90"	
7	Pickets	0.875" x 1.5" x 47"	47"	193.25"	193.25"	
1	Vinyl Fence Glue		1.5 Oz	1.5 Oz	1.5 Oz	
1	Cross Brace Screw and Cap					

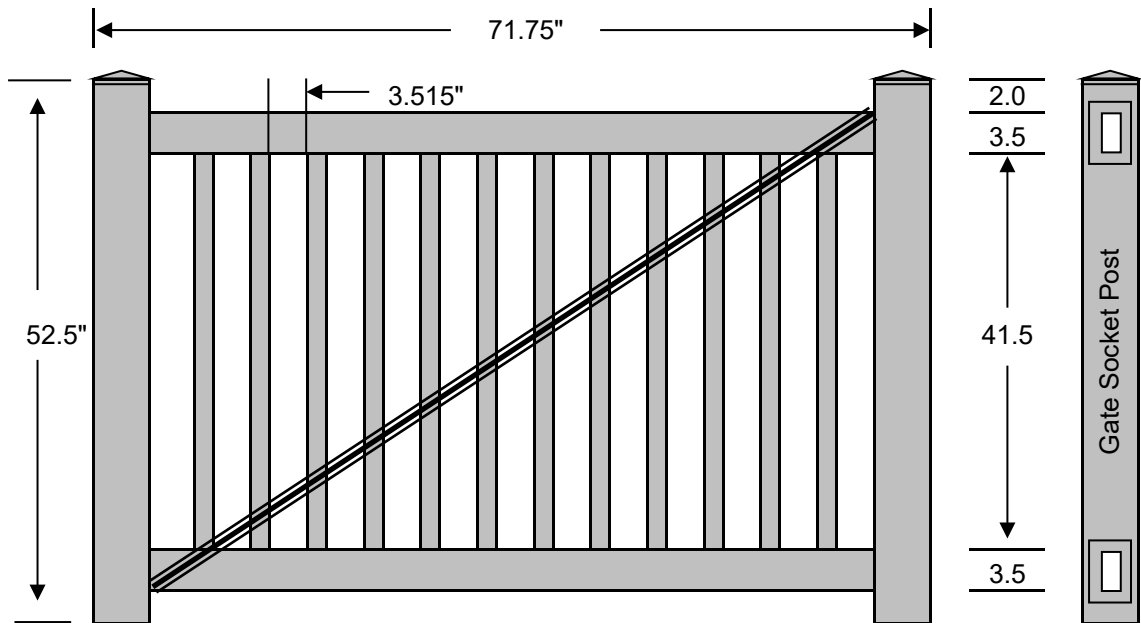
G_PO-1.5-4X48

G_PO-1.5-4X60

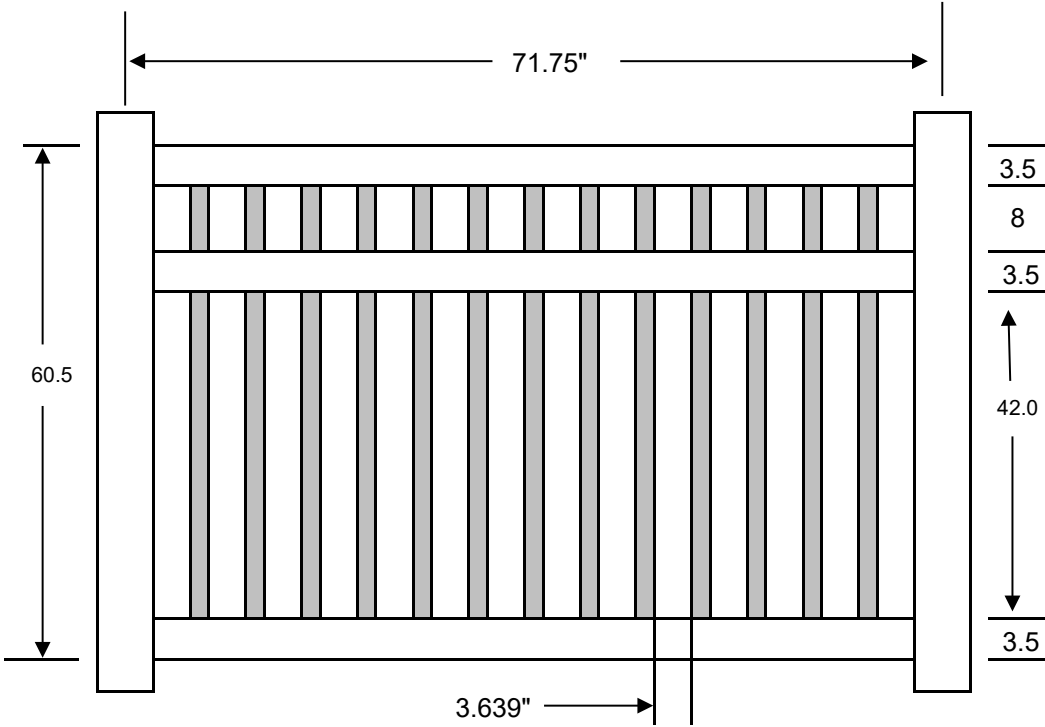


1		Material List		Pulled From		
QTY	Item	Dimensions	White	Tan	Khaki	
2	Socket Posts	4" x 4" x 52.5"	64"	108"	108"	
2	Post Caps	4" x 4"	4"	4"	4"	
1	Top Rail	2" x 3.5" x 59.5"	71.75"	71.75"	71.75"	
1	Bottom Rail	2" x 3.5" x 59.5"	71.75"	71.75"	71.75"	
1	Aluminum	1.5" x 3.25" x 59"	71.5"	71.5"	71.5"	
1	Cross Brace	Cross Brace	90"	90"	90"	
10	Pickets	0.875" x 1.5" x 47"	47"	193.25"	193.25"	
1	Vinyl Fence Glue		1.5 Oz	1.5 Oz	1.5 Oz	
1	Cross Brace Screw and Cap					
			G_PO-1.5-4X60			

G_PO-1.5-4X72

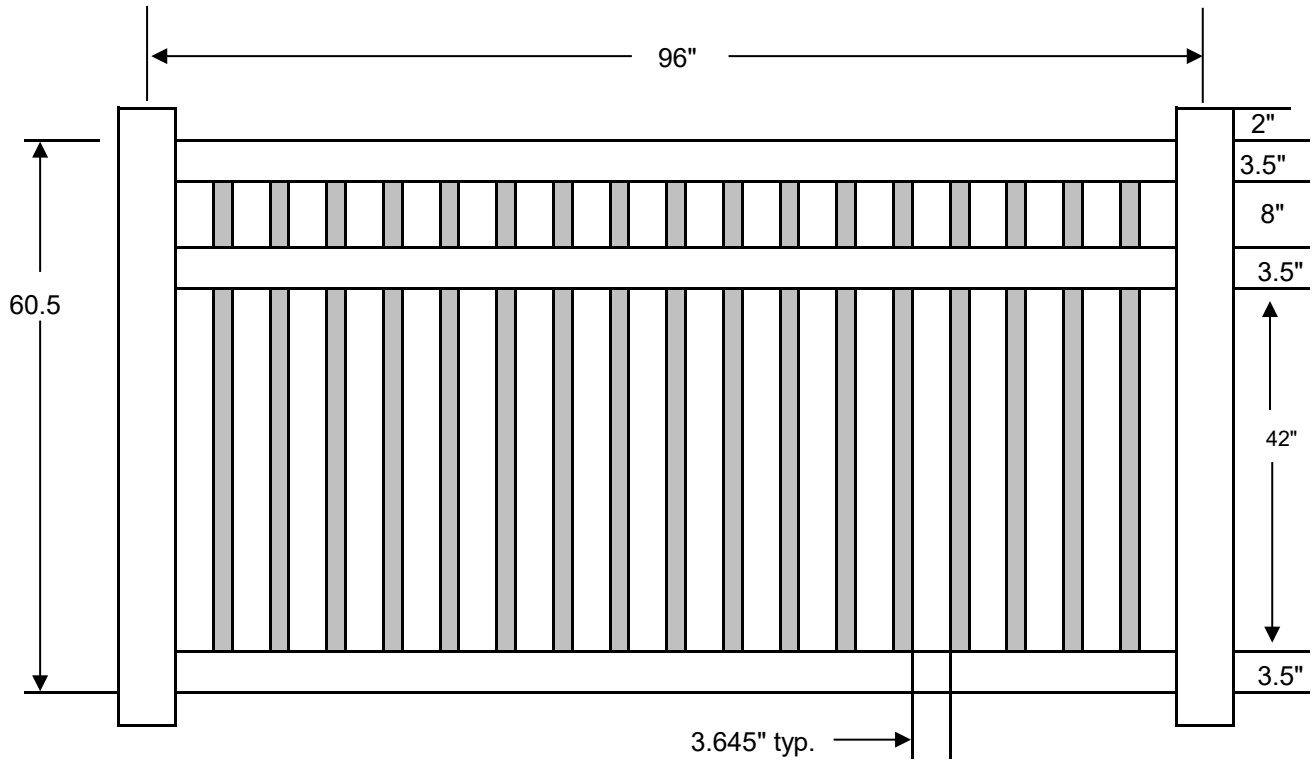


1	Material List		Pulled From		
	QTY	Item	Dimensions	White	Tan
2	Socket Posts	4" x 4" x 52.5"	54"	108"	108"
2	Post Caps	4" x 4"	4"	4"	4"
1	Top Rail	2" x 3.5" x 71.5"	71.75"	71.75"	71.75"
1	Bottom Rail	2" x 3.5" x 71.5"	71.75"	71.75"	71.75"
1	Aluminum	1.5" x 3.25" x 71"	71.5"	71.5"	71.5"
1	Cross Brace	Cross Brace	90"	90"	90"
12	Pickets	0.875" x 1.5" x 47"	47"	193.25"	193.25"
1	Cross Brace Screw and Cap				
1	Vinyl Fence Glue		1.5 Oz	1.5 Oz	1.5 Oz
			G_PO-1.5-4X72		



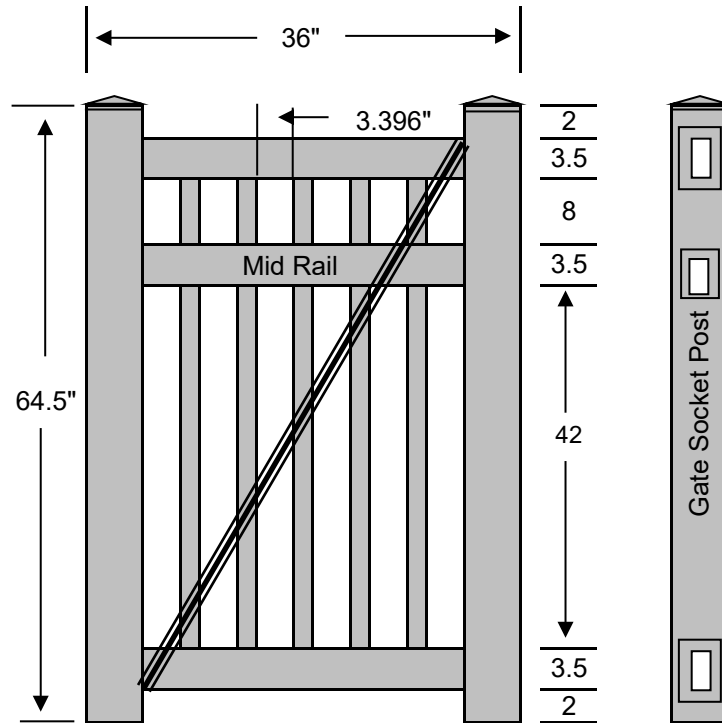
1	Material List		Pulled From		
	Qty	Item	Dimension	White	Tan
2	Top & Bottom Rails	2" x 3.5" x 71.75"	71.75"	71.75"	71.75"
1	Mid Rail	2" x 3.5" x 71.75"	71.75"	71.75"	71.75"
1	Aluminum	1.5" x 3.25" x 71.5"	71.5"	71.5"	71.5"
13	Pickets	0.875" x 1.5" x 59"	59"	193.25"	193.25"
			P_PO-1.5-5X6		

P_PO-1.5-5X8



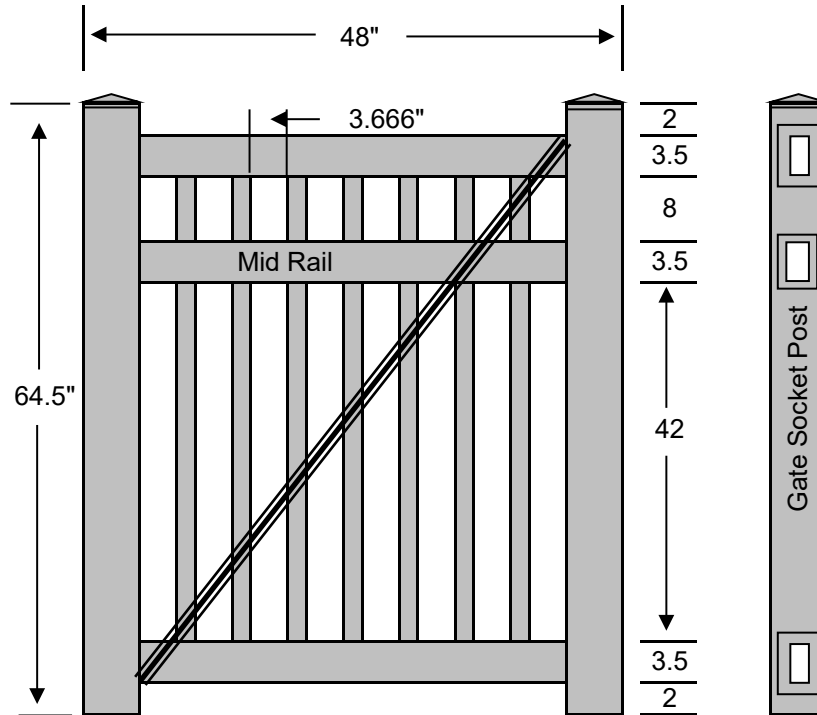
1	Material List		Pulled From		
	Qty	Item	Dimension	White	Tan
2	Top & Bottom Rail	2" x 3.5" x 95.75"	95.75"	95.75"	95.75"
1	Mid Rail	2" x 3.5" x 95.75"	95.75"	95.75"	95.75"
1	Aluminum	1.5" x 3.25" x 95.5"	95.5"	95.5"	95.5"
17	Pickets	0.875" x 1.5" x 59"	59"	193.25"	193.25"
			P_PO-1.5-5X8		

G_PO-1.5-5X36



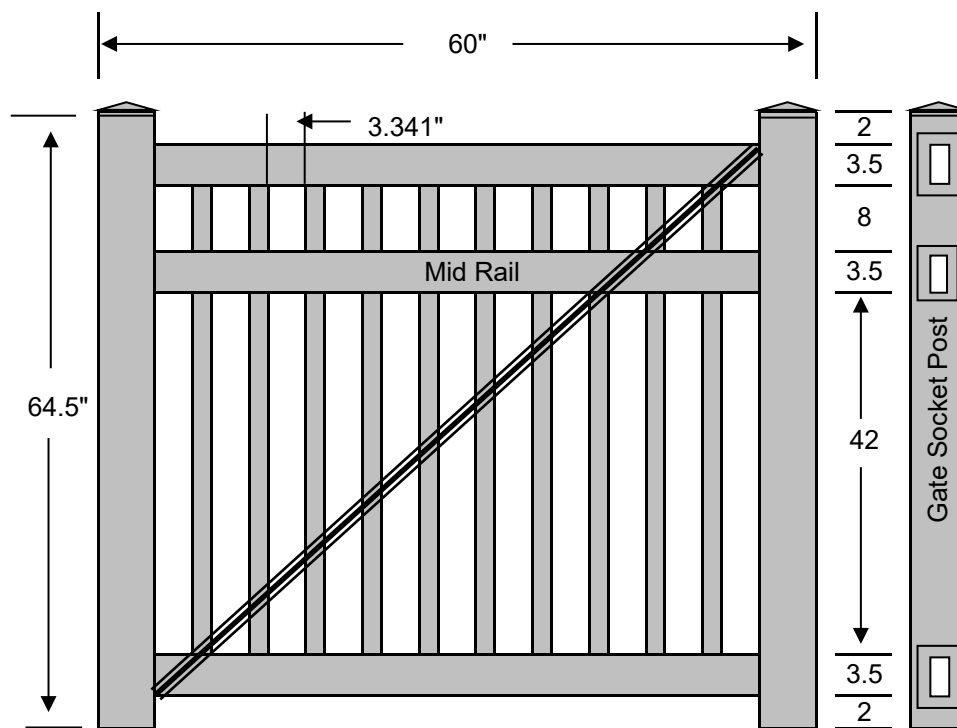
1	Material List		Pulled From		
	QTY	Item	Dimensions	White	Tan
2	Socket Posts	4" x 4" x 64.5"	71.75"	84"	84"
2	Post Caps	4" x 4"	4"	4"	4"
1	Top Rail	2" x 3.5" x 35.5"	71.75"	71.75"	71.75"
1	Mid Rail	2" x 3.5" x 35.5"	71.75"	71.75"	71.75"
1	Bottom Rail	2" x 3.5" x 35.5"	71.75"	71.75"	71.75"
1	Aluminum	1.5" x 3.75" x 35"	71.5"	71.5"	71.5"
1	Cross Brace	Cross Brace	90"	90"	90"
5	Pickets	0.875" x 1.5" x 59"	59"	193.25"	193.25"
1	Viny Fence Glue		1.5 Oz	1.5 Oz	1.5 Oz
1	Cross Brace Screw and Cap				

G_PO-1.5-5X36



1		Material List		Pulled From		
QTY	Item	Dimensions	White	Tan	Khaki	
2	Socket Posts	4" x 4" x 64.5"	71.75"	84"	84"	
2	Post Caps	4" x 4"	4"	4"	4"	
1	Top Rail	2" x 3.5" x 47.5"	95.75"	95.75"	95.75"	
1	Mid Rail	2" x 3.5" x 47.5"	95.75"	95.75"	95.75"	
1	Bottom Rail	2" x 3.5" x 47.5"	95.75"	95.75"	95.75"	
1	Aluminum	1.5" x 3.25" x 47"	95.5"	95.5"	95.5"	
1	Cross Brace	Cross Brace	90"	90"	90"	
7	Pickets	0.875" x 1.5" x 59"	59"	193.25"	193.25"	
1	Vinyl Fence Glue		1.5 Oz	1.5 Oz	1.5 Oz	
1	Cross Brace Screw and Cap					
			G_PO-1.5-5X48			

G_PO-1.5-5X60



1	Material List		Pulled From		
	QTY	Item	Dimensions	White	Tan
2	Socket Posts	4" x 4" x 64.5"	71.75"	84"	84"
2	Post Caps	4" x 4"	4"	4"	4"
1	Top Rail	2" x 3.5" x 59.5"	71.75"	71.75"	71.75"
1	Mid Rail	2" x 3.5" x 59.5"	71.75"	71.75"	71.75"
1	Bottom Rail	2" x 3.5" x 59.5"	71.75"	71.75"	71.75"
1	Aluminum	1.5" x 3.25" x 59"	71.5"	71.5"	71.5"
1	Cross Brace	Cross Brace	90"	90"	90"
10	Pickets	0.875" x 1.5" x 59"	59"	193.25"	193.25"
1	Vinyl Fence Glue		1.5 Oz	1.5 Oz	1.5 Oz
1	Cross Brace Screw and Cap				

G_PO-1.5-5X60