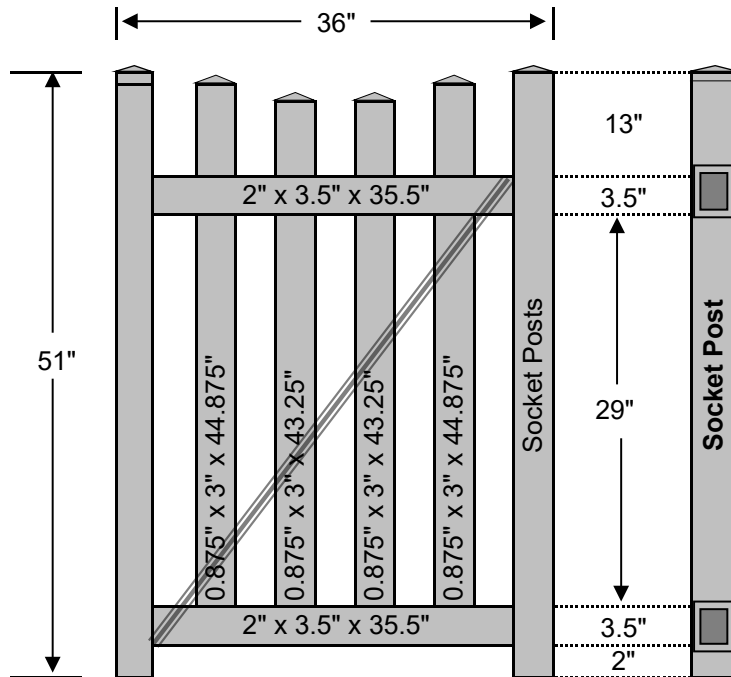


1 Material List			Pulled From		
Qty	Item	Dimensions	White	Tan	Khaki
1	Top Rail	2" x 3.5" x 95.75"	95.75"	95.75"	95.75"
1	Bottom Rail	2" x 3.5" x 95.75"	95.75"	95.75"	95.75"
1	Aluminum	1.5" x 3.25" x 95.5"	95.5"	95.5"	95.5"
2	Pickets	0.875" x 3" x 44.875"	47"	47"	47"
2	Pickets	0.875" x 3" x 43.25"	47"	47"	47"
2	Pickets	0.875" x 3" x 41.875"	47"	47"	47"
2	Pickets	0.875" x 3" x 40.75"	47"	47"	47"
2	Pickets	0.875" x 3" x 40"	47"	47"	47"
2	Pickets	0.875" x 3" x 39.375"	47"	47"	47"
2	Pickets	0.875" x 3" x 39"	47"	47"	47"
1	Pickets	0.875" x 3" x 38.875"	47"	47"	47"
15	Picket Caps	0.875" x 3"	3"	3"	3"

P_PI-3SC-4X8

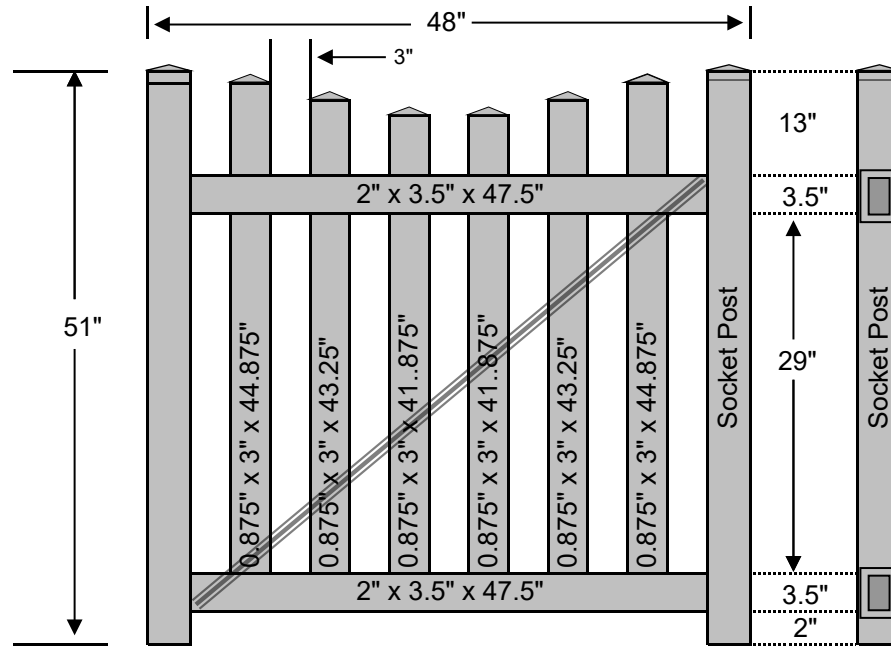


1

Material List			Pulled From		
Qty	Item	Dimensions	White	Tan	Khaki
2	Socket Posts	4" x 4" x 51"	54"	108"	108"
2	Post Caps	4" x 4"	4"	4"	4"
1	Top Rail	2" x 3.5" x 35.5"	72"	72"	72"
1	Bottom Rail	2" x 3.5" x 35.5"	72"	72"	72"
1	Aluminum	1.5" x 3.25" x 35"	71.5"	71.5"	71.5"
1	Cross Brace	Cross Brace	90"	90"	90"
2	Pickets	0.875" x 3" x 44.875"	47"	47"	47"
2	Pickets	0.875" x 3" x 43.25"	47"	47"	47"
4	Picket Caps	0.875" x 3"	3"	3"	3"
1	Vinyl Fence Glue		1.5 Oz	1.5 Oz	1.5 Oz
1	Cross Brace Screws & Caps				

G_PI-3SC-4X36

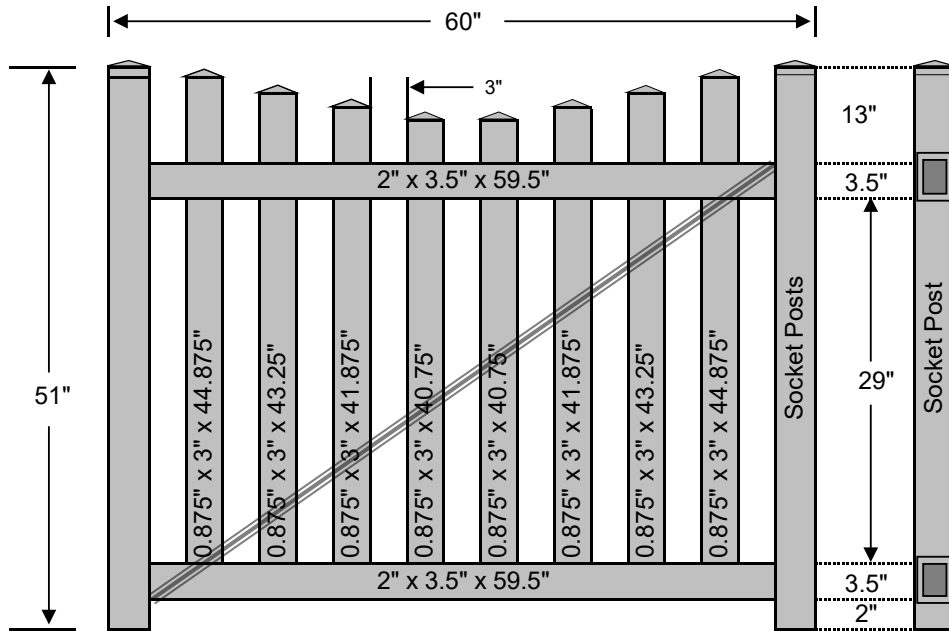
G_PI-3SC-4X48



1

Material List			Pulled From		
Qty	Item	Dimensions	White	Tan	Khaki
2	Socket Posts	4" x 4" x 51"	54"	108"	108"
2	Post Caps	4" x 4"	4"	4"	4"
1	Top Rail	2" x 3.5" x 47.5"	95.75"	95.75"	95.75"
1	Bottom Rail	2" x 3.5" x 47.5"	95.75"	95.75"	95.75"
1	Aluminum	1.5" x 3.25" x 47"	95.5"	95.5"	95.5"
1	Cross Brace	Cross Brace	90"	90"	90"
2	Pickets	0.875" x 3" x 44.875"	47"	47"	47"
2	Pickets	0.875" x 3" x 43.25"	47"	47"	47"
2	Pickets	0.875" x 3" x 41.875"	47"	47"	47"
6	Picket Caps	0.875" x 3"	3"	3"	3"
1	Vinyl Fence Glue		1.5 Oz	1.5 Oz	1.5 Oz
1	Cross Brace Screws & Caps				

G_PI-3SC-4X48

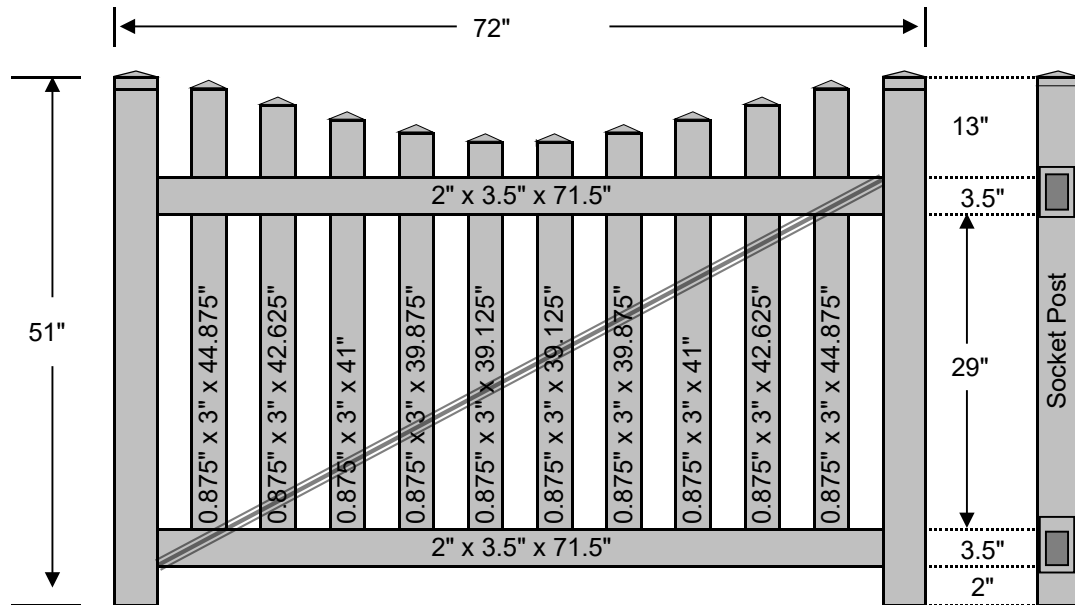


1

Material List			Pulled From		
Qty	Item	Dimensions	White	Tan	Khaki
2	Socket Posts	4" x 4" x 51"	54"	108"	108"
2	Post Caps	4" x 4"	4"	4"	4"
1	Top Rail	2" x 3.5" x 59.5"	72"	72"	72"
1	Bottom Rail	2" x 3.5" x 59.5"	72"	72"	72"
1	Aluminum	1.5" x 3.25" x 59.5"	71.5"	71.5"	71.5"
1	Cross Brace	Cross Brace	90"	90"	90"
2	Pickets	0.875" x 3" x 44.875"	47"	47"	47"
2	Pickets	0.875" x 3" x 43.25"	47"	47"	47"
2	Pickets	0.875" x 3" x 41.875"	47"	47"	47"
2	Pickets	0.875" x 3" x 40.75"	47"	47"	47"
8	Picket Caps	0.875" x 3"	3"	3"	3"
1	Vinyl Fence Glue		1.5 Oz	1.5 Oz	1.5 Oz
1	Cross Brace Screws & Caps				

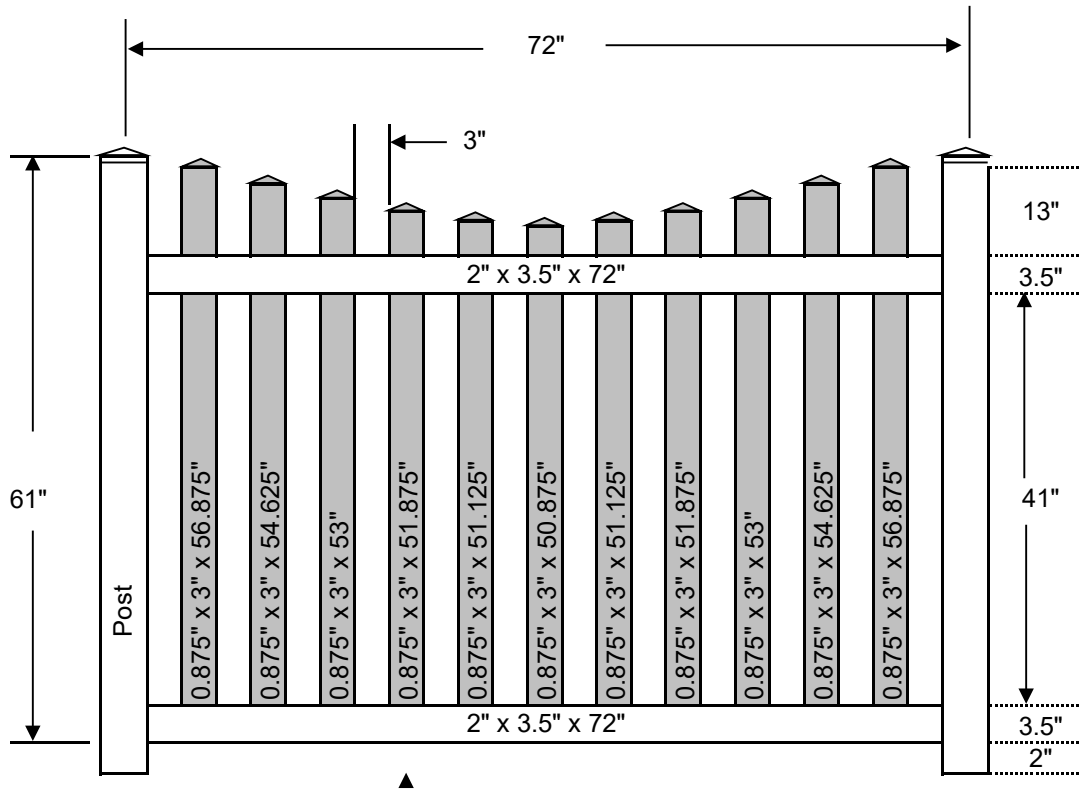
G_PI-3SC-4X60

G_PI-3SC-4X72



1			Material List		Pulled From		
Qty	Item	Dimensions	White	Tan	Khaki		
2	Socket Posts	4" x 4" x 51"	54"	108"	108"		
2	Post Caps	4" x 4"	4"	4"	4"		
1	Top Rail	2" x 3.5" x 71.5"	72"	72"	72"		
1	Bottom Rail	2" x 3.5" x 71.5"	72"	72"	72"		
1	Aluminum	1.5" x 3.25" x 71"	71.5"	71.5"	71.5"		
1	Cross Brace	Cross Brace	90"	90"	90"		
2	Pickets	0.875" x 3" x 44.875"	47"	47"	47"		
2	Pickets	0.875" x 3" x 42.625"	47"	47"	47"		
2	Pickets	0.875" x 3" x 41"	47"	47"	47"		
2	Pickets	0.875" x 3" x 39.875"	47"	47"	47"		
2	Pickets	0.875" x 3" x 39.125"	47"	47"	47"		
10	Picket Caps	0.875" x 3"	3"	3"	3"		
1	Vinyl Fence Glue		1.5 Oz	1.5 Oz	1.5 Oz		
1	Cross Brace Screws & Caps						

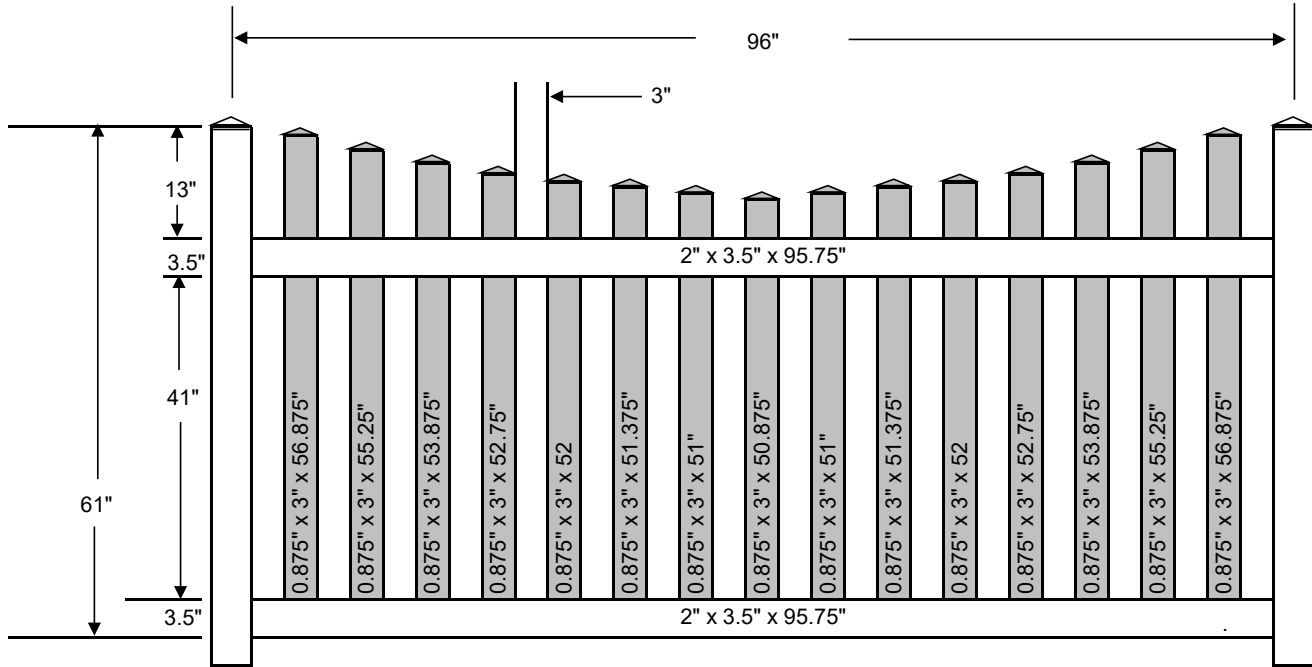
G_PI-3SC-4X72



1

Material List			Pulled From		
Qty	Item	Dimensions	White	Tan	Khaki
1	Top Rail	2" x 3.5" x 72"	72"	72"	72"
1	Bottom Rail	2" x 3.5" x 72"	72"	72"	72"
1	Aluminum	1.5" x 3.25" x 71.5"	71.5"	71.5"	71.5"
2	Pickets	0.875" x 3" x 56.875"	59"	59"	193.25"
2	Pickets	0.875" x 3" x 54.625"	59"	59"	193.25"
2	Pickets	0.875" x 3" x 53"	59"	59"	193.25"
2	Pickets	0.875" x 3" x 51.875"	59"	59"	193.25"
2	Pickets	0.875" x 3" x 51.125"	59"	59"	193.25"
1	Pickets	0.875" x 3" x 50.875"	59"	59"	193.25"
11	Picket Caps	0.875" x 3"	3"	3"	3"

P_PI-3SC-5X6

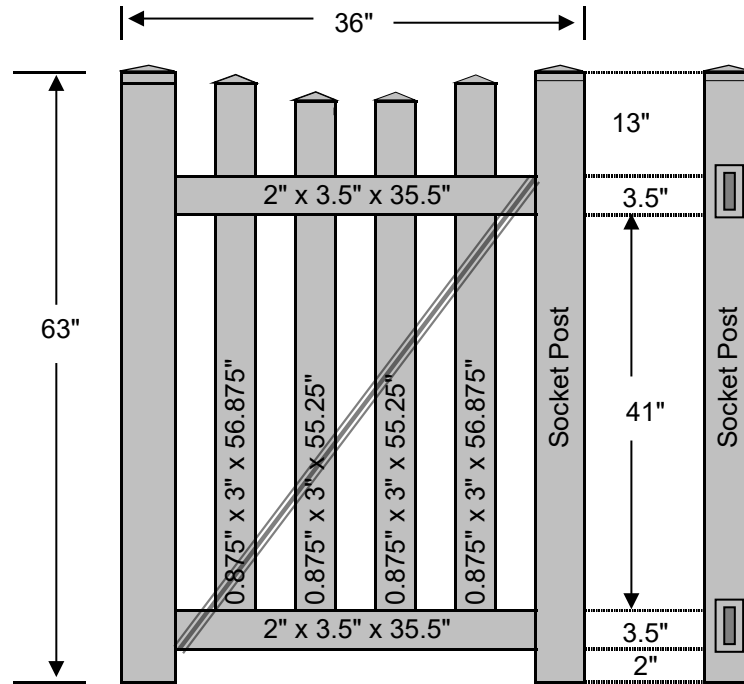


1

Material List			Pulled From		
Qty	Item	Dimensions	White	Tan	Khaki
1	Top Rail	2" x 3.5" x 95.75"	95.75"	95.75"	95.75"
1	Bottom Rail	2" x 3.5" x 95.75"	95.75"	95.75"	95.75"
1	Aluminum	1.5" x 3.25" x 95.5"	95.5"	95.5"	95.5"
2	Pickets	0.875" x 3" x 56.875"	59"	59"	193.25"
2	Pickets	0.875" x 3" x 55.25"	59"	59"	193.25"
2	Pickets	0.875" x 3" x 53.875"	59"	59"	193.25"
2	Pickets	0.875" x 3" x 52.75"	59"	59"	193.25"
2	Pickets	0.875" x 3" x 52	59"	59"	193.25"
2	Pickets	0.875" x 3" x 51.375"	59"	59"	193.25"
2	Pickets	0.875" x 3" x 51"	59"	59"	193.25"
1	Pickets	0.875" x 3" x 50.875"	59"	59"	193.25"
15	Picket Caps	0.875" x 3"	3"	3"	3"

P_PI-3SC-5X8

G_PI-3SC-5X36

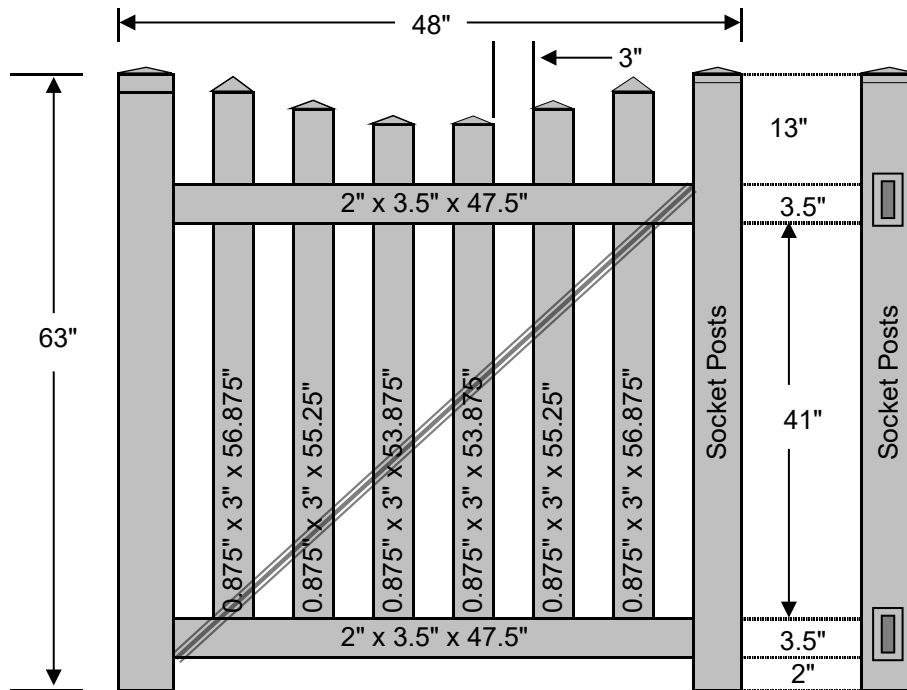


1

Material List			Pulled From		
Qty	Item	Dimensions	White	Tan	Khaki
2	Socket Posts	4" x 4" x 63"	72"	84"	84"
2	Post Caps	4" x 4"	4"	4"	4"
1	Top Rail	2" x 3.5" x 35.5"	72"	72"	72"
1	Bottom Rail	2" x 3.5" x 35.5"	72"	72"	72"
1	Aluminum	1.5" x 3.25" x 35"	71.5"	71.5"	71.5"
1	Cross Brace	Cross Brace	90"	90"	90"
2	Pickets	0.875" x 3" x 56.875"	59"	59"	193.25"
2	Pickets	0.875" x 3" x 55.25"	59"	59"	193.25"
4	Picket Caps	0.875" x 3"	3"	3"	3"
1	Vinyl Fence Glue		1.5 Oz	1.5 Oz	1.5 Oz
1	Cross Brace Screws & Caps				

G_PI-3SC-5X36

G_PI-3SC-5X48

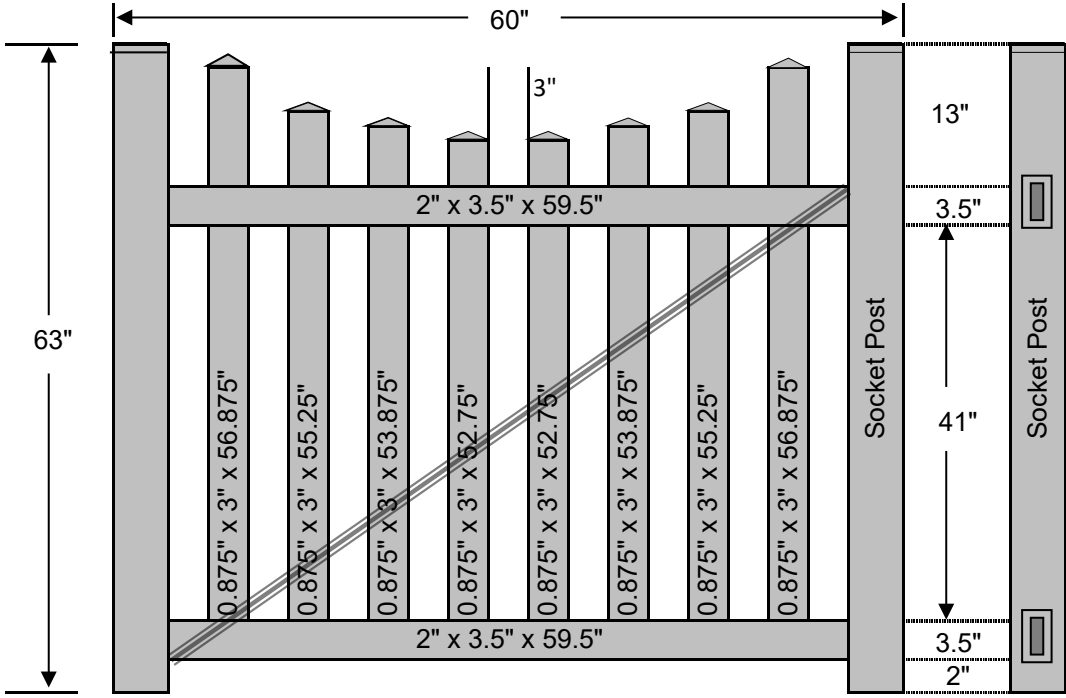


1

Material List			Pulled From		
Qty	Item	Dimensions	White	Tan	Khaki
2	Socket Posts	4" x 4" x 63"	72"	84"	84"
2	Post Caps	4" x 4"	4"	4"	4"
1	Top Rail	2" x 3.5" x 47.5"	95.75"	95.75"	95.75"
1	Bottom Rail	2" x 3.5" x 47.5"	95.75"	95.75"	95.75"
1	Aluminum	1.5" x 3.25" x 47"	95.5"	95.5"	95.5"
1	Cross Brace	Cross Brace	90"	90"	90"
2	Pickets	0.875" x 3" x 56.875"	59"	59"	193.25"
2	Pickets	0.875" x 3" x 55.25"	59"	59"	193.25"
2	Pickets	0.875" x 3" x 53.875"	59"	59"	193.25"
6	Picket Caps	0.875" x 3"	3"	3"	3"
1	Vinyl Fence Glue		1.5 Oz	1.5 Oz	1.5 Oz
1	Cross Brace Screws & Caps				

G_PI-3SC-5X48

G_PI-3SC-5X60



1

Material List			Pulled From		
Qty	Item	Dimensions	White	Tan	Khaki
2	Socket Posts	4" x 4" x 63"	72"	84"	84"
2	Post Caps	4" x 4"	4"	4"	4"
1	Top Rail	2" x 3.5" x 59.5"	72"	72"	72"
1	Bottom Rail	2" x 3.5" x 59.5"	72"	72"	72"
1	Aluminum	1.5" x 3.25" x 59"	71.5"	71.5"	71.5"
1	Cross Brace	Cross Brace	90"	90"	90"
2	Pickets	0.875" x 3" x 56.875"	59"	59"	193.25"
2	Pickets	0.875" x 3" x 55.25"	59"	59"	193.25"
2	Pickets	0.875" x 3" x 53.875"	59"	59"	193.25"
2	Pickets	0.875" x 3" x 52.75"	59"	59"	193.25"
8	Picket Caps	0.875" x 3"	3"	3"	3"
1	Vinyl Fence Glue		1.5 Oz	1.5 Oz	1.5 Oz
1	Cross Brace Screws & Caps				

G_PI-3SC-5X60