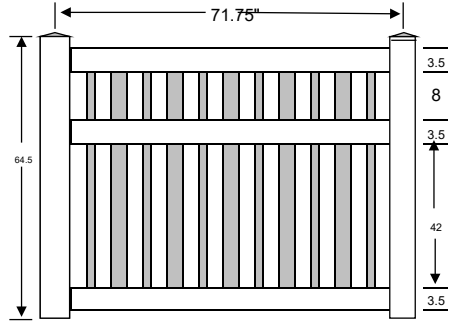
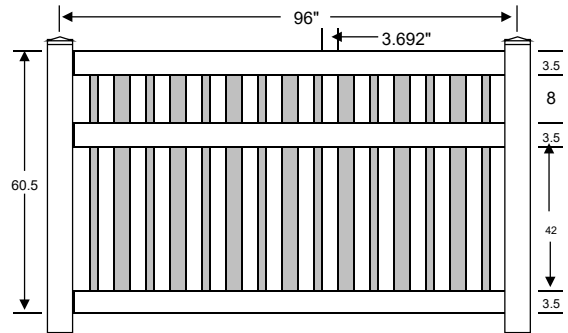


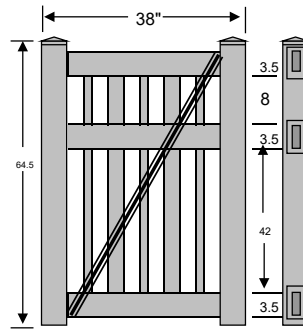
1	Material List			Pulled From		
	Qty	Item	Dimension	White	Tan	Khaki
	2	T&B Rails	2" x 3.5" x 71.75"	71.75"	71.75"	71.75"
	1	Mid Rail	2" x 3.5" x 71.75"	71.75"	71.75"	71.75"
	1	Aluminum	1.5" x 3.25" x 71.5"	71.5"	71.5"	71.5"
	5	Pickets	0.875" x 3" x 59"	59"	59"	193.25"
	6	Pickets	0.875" x 1.5" x 59"	59"	193.25"	193.25"
P_PO-ALT-5X6						



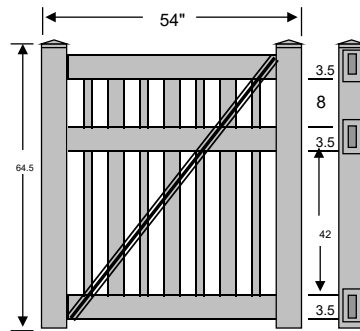
1	Material List			Pulled From			
	Qty	Item	Dimension	White	Tan	Khaki	
	2	T&B Rails	2" x 3.5" x 95.75"	95.75"	95.75"	95.75"	
	1	Mid Rail	2" x 3.5" x 95.75"	95.75"	95.75"	95.75"	
	1	Aluminum	1.5" x 3.25" x 95.5"	95.5"	95.5"	95.5"	
	7	Pickets	0.875" x 3" x 59"	59"	59"	193.25"	
	8	Pickets	0.875" x 1.5" x 59"	59"	193.25"	193.25"	
	P_PO-ALT-5X8						



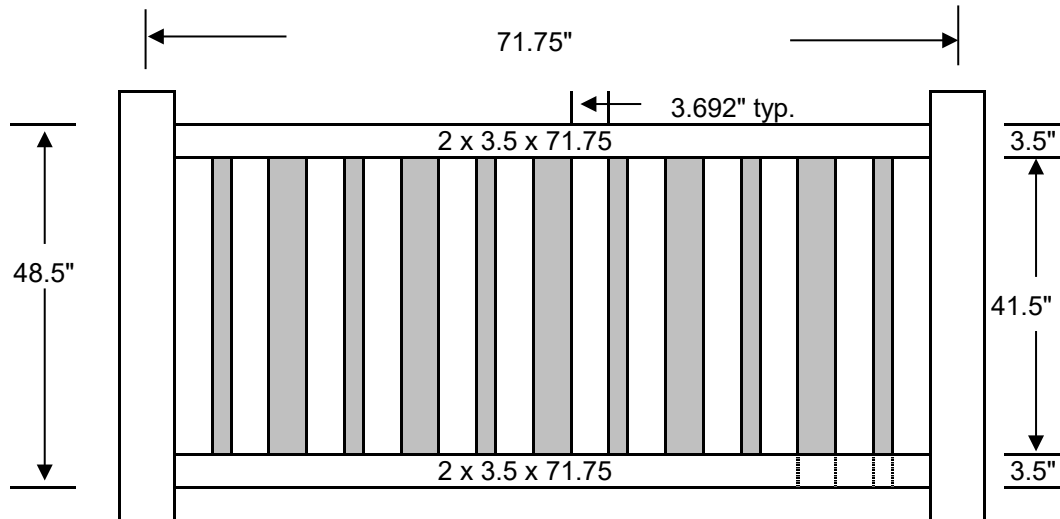
1	Material List			Pulled From			
	Qty	Item	Dimension	White	Tan	Khaki	
	2	Socket Post	4" x 4" x 64.5"	71.75"	84"	84"	
	2	Post Caps	4" x 4"	4"	4"	4"	
	2	T&B Rails	2" x 3.5" x 37.5"	95.75"	95.75"	95.75"	
	1	Mid Rail	2" x 3.5" x 37.5"	95.75"	95.75"	95.75"	
	1	Aluminum	1.5" x 3.25" x 37"	95.5"	95.5"	95.5"	
	2	Pickets	0.875" x 3" x 59"	59"	59"	193.25"	
	3	Pickets	0.875" x 1.5" x 59"	59"	193.25"	193.25"	
	1	Cross Brace	Cross Brace	90"	90"	90"	
	1	Cross Brace Screws and Caps					
	1	Vinyl Fence Glue		1.5 Oz	1.5 Oz	1.5 Oz	
	G_PO-ALT-5X38.5						



1	Material List			Pulled From			
	Qty	Item	Dimension	White	Tan	Khaki	
	2	Socket Post	4" x 4" x 64.5"	71.75"	84"	84"	
	2	Post Caps	4" x 4"	4"	4"	4"	
	2	T&B Rails	2" x 3.5" x 53.5"	71.75"	71.75"	71.75"	
	1	Mid Rail	2" x 3.5" x 53.5"	71.75"	71.75"	71.75"	
	1	Aluminum	1.5" x 3.25" x 53"	71.5"	71.5"	71.5"	
	3	Pickets	0.875" x 3" x 59"	59"	59"	193.25"	
	4	Pickets	0.875" x 1.5" x 59"	59"	193.25"	193.25"	
	1	Cross Brace	Cross Brace	90"	90"	90"	
	1	Cross Brace Screws and Caps					
	1	Vinyl Fence Glue		1.5 Oz	1.5 Oz	1.5 Oz	
	G_PO-ALT-5X54						



P_PO-ALT-4X6

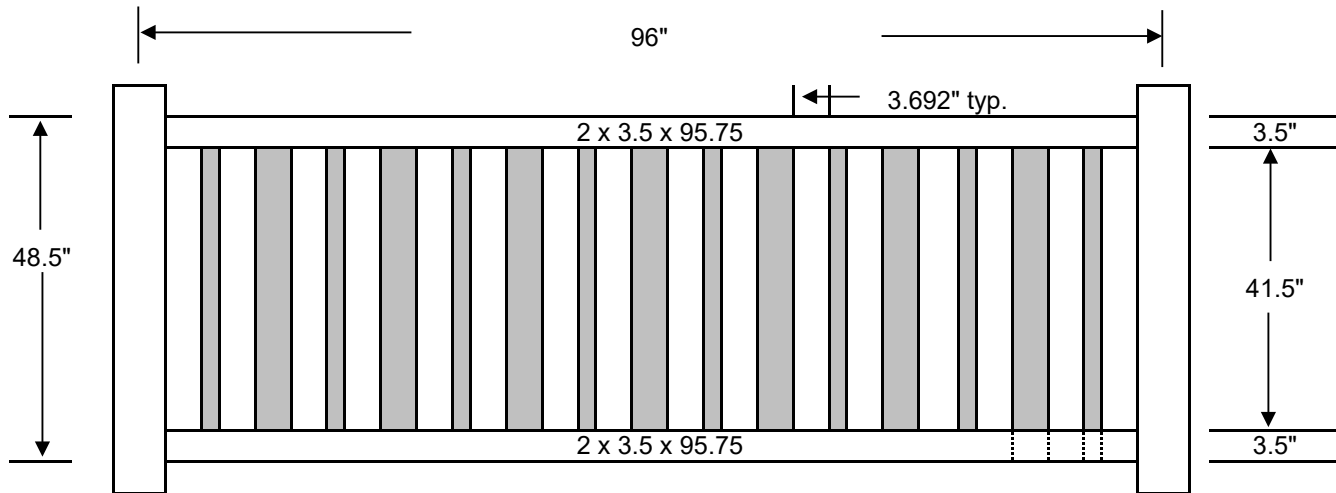


1

Material List			Pulled From		
Qty	Item	Dimension	White	Tan	Khaki
2	Rails	2" x 3.5" x 71.75"	71.75"	71.75"	71.75"
1	Aluminum	1.5" x 3.25" x 71.5"	71.5"	71.5"	71.5"
5	Pickets	0.875" x 3" x 47"	47"	47"	47"
6	Pickets	0.875" x 1.5" x 47"	47"	193.25"	193.25"

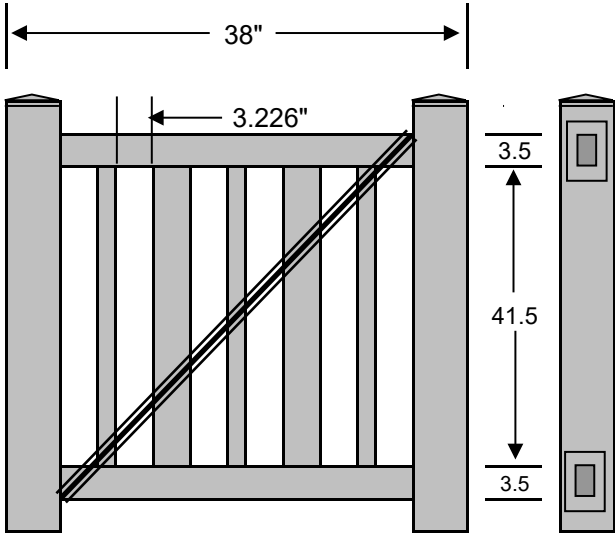
P_PO-ALT-4X6

P_PO-ALT-4X8



1	Material List		Pulled From		
	Qty	Item	Dimension	White	Tan
2	Rails	2" x 3.5" x 95.75"	95.75"	95.75"	95.75"
1	Aluminum	1.5" x 3.25" x 95.5"	95.5"	95.5"	95.5"
7	Pickets	0.875" x 3" x 47"	47"	47"	47"
8	Pickets	0.875" x 1.5" x 47"	47"	193.25"	193.25"

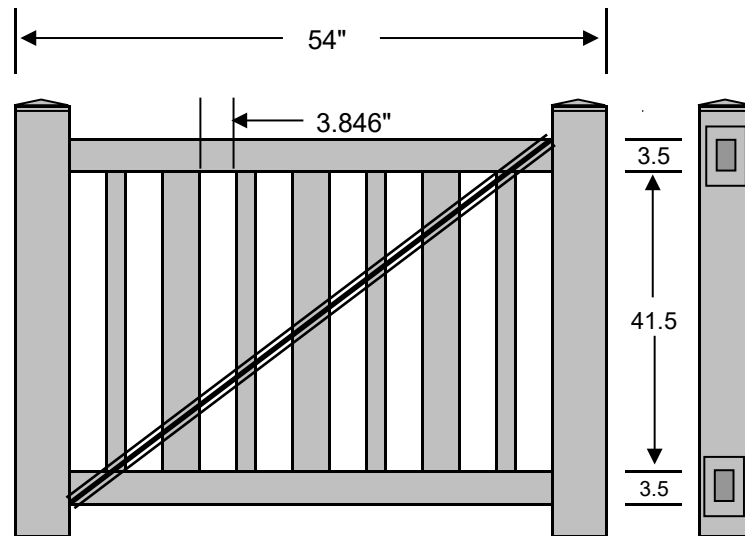
P_PO-ALT-4X8



1

Material List			Pulled From		
QTY	Item	Dimensions	White	Tan	Khaki
2	Socket Post	4" x 4" x 52.5"	54"	108"	108"
2	Post Caps	4" x 4"	4"	4"	4"
1	Top Rail	2" x 3.5" x 37.5"	95.75"	95.75"	95.75"
1	Bottom Rail	2" x 3.5" x 37.5"	95.75"	95.75"	95.75"
1	Aluminum	1.5" x 3.25" x 37"	95.5"	95.5"	95.5"
1	Cross Brace	Cross Brace	90"	90"	90"
2	Pickets	0.875" x 3" x 47"	47"	47"	47"
3	Pickets	0.875" x 1.5" x 47"	47"	193.25"	193.25"
1	Cross Brace Screws & Caps				
1	Vinyl Fence Glue		1.5 Oz	1.5 Oz	1.5 Oz
			G_PO-ALT-4X38		

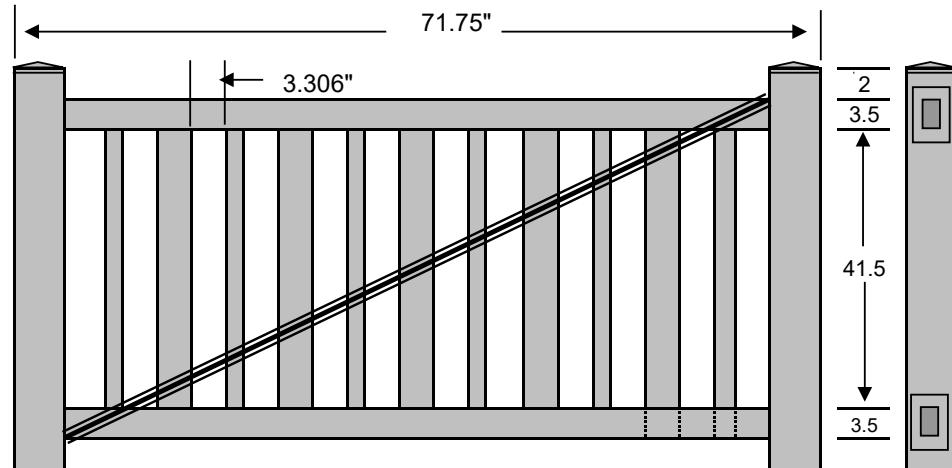
G_PO-ALT-4X54



1

Material List			Pulled From		
QTY	Item	Dimensions	White	Tan	Khaki
2	Socket Post	4" x 4" x 52.5"	54"	108"	108"
2	Post Caps	4" x 4"	4"	4"	4"
1	Top Rail	2" x 3.5" x 53.5"	71.75"	71.75"	71.75"
1	Bottom Rail	2" x 3.5" x 53.5"	71.75"	71.75"	71.75"
1	Aluminum	1.5" x 3.25" x 53"	71.5"	71.5"	71.5"
1	Cross Brace	Cross Brace	90"	90"	90"
3	Pickets	0.875" x 3" x 47"	47"	47"	47"
4	Pickets	0.875" x 1.5" x 47"	47"	193.25"	193.25"
1	Cross Brace Screws & Caps				
1	Vinyl Fence Glue		1.5 Oz	1.5 Oz	1.5 Oz

G_PO-ALT-4X54

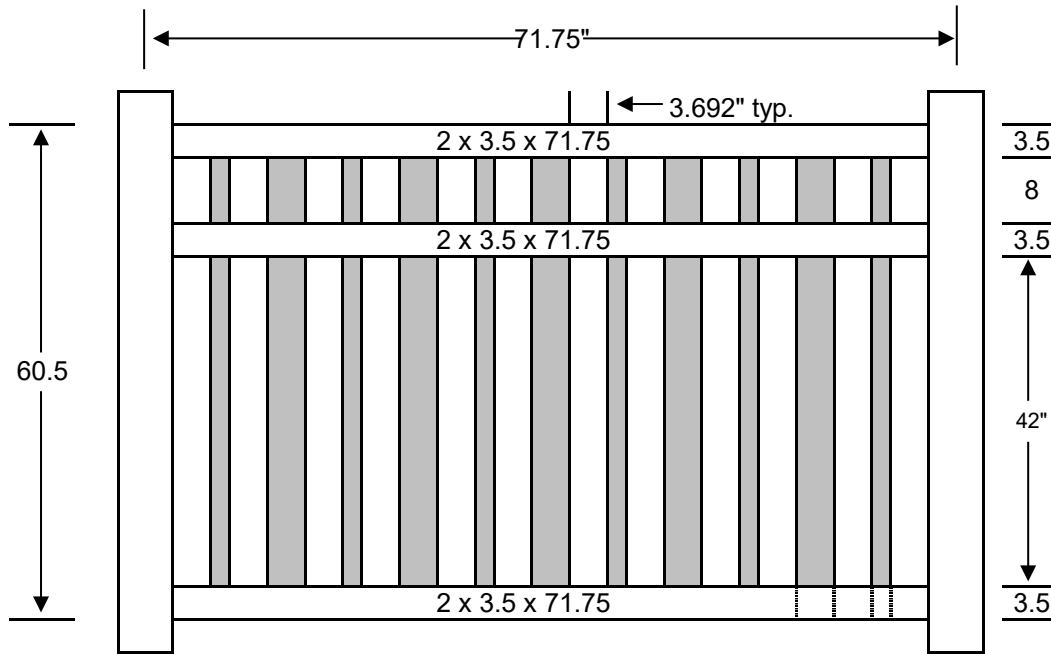


1

Material List			Pulled From		
QTY	Item	Dimensions	White	Tan	Khaki
2	Socket Post	4" x 4" x 52.5"	54"	108"	108"
2	Post Caps	4" x 4"	4"	4"	4"
1	Top Rail	2" x 3.5" x 71.5"	71.75"	71.75"	71.75"
1	Bottom Rail	2" x 3.5" x 71.5"	71.75"	71.75"	71.75"
1	Aluminum	1.5" x 3.25" x 71"	71.5"	71.5"	71.5"
5	Pickets	0.875" x 3" x 47"	47"	47"	47"
6	Pickets	0.875" x 1.5" x 47"	47"	193.25"	193.25"
1	Cross Brace	Cross Brace	90"	90"	90"
1	Cross Brace Screws & Caps				
1	Vinyl Fence Glue		1.5 Oz	1.5 Oz	1.5 Oz

G_PO-ALT-4X72

P_PO-ALT-5X6

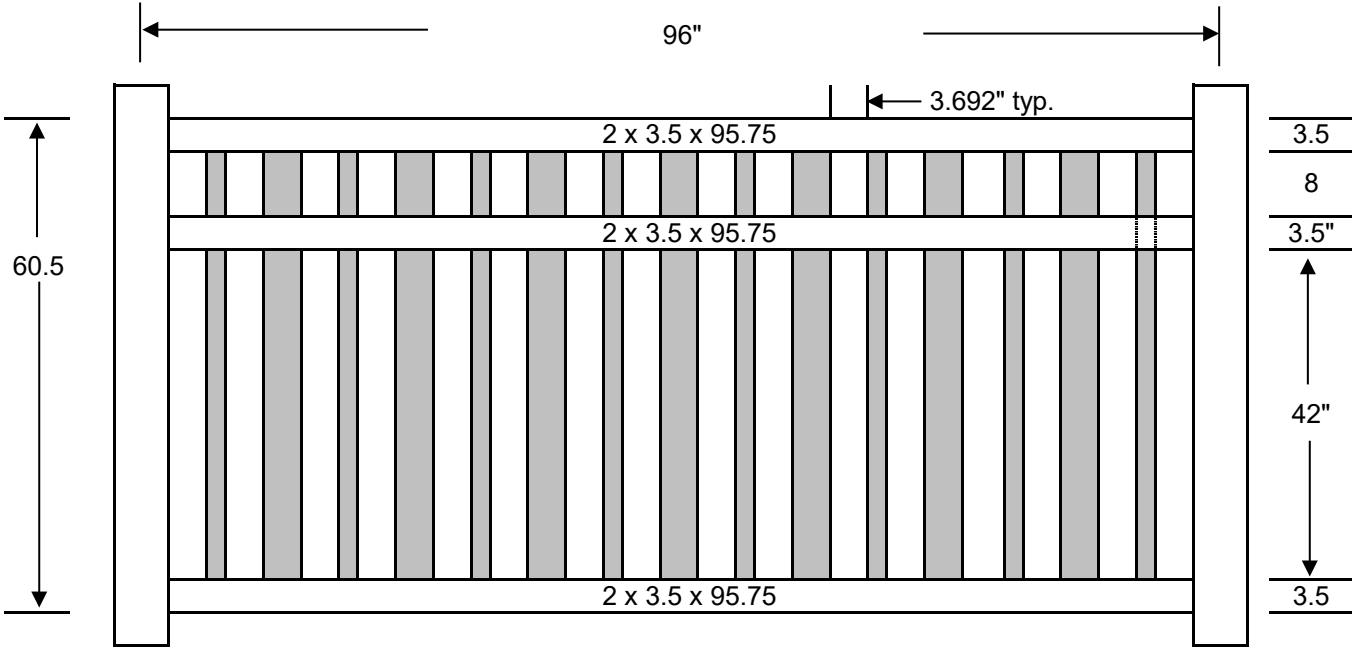


1

Material List			Pulled From		
Qty	Item	Dimension	White	Tan	Khaki
2	Rails	2" x 3.5" x 71.75"	71.75"	71.75"	71.75"
1	Mid Rail	2" x 3.5" x 71.75"	71.75"	71.75"	71.75"
1	Aluminum	1.5" x 3.25" x 71.5"	71.5"	71.5"	71.5"
5	Pickets	0.875" x 3" x 59"	59"	59"	193.25"
6	Pickets	0.875" x 1.5" x 59"	59"	193.25"	193.25"

P_PO-ALT-5X6

P_PO-ALT-5X8

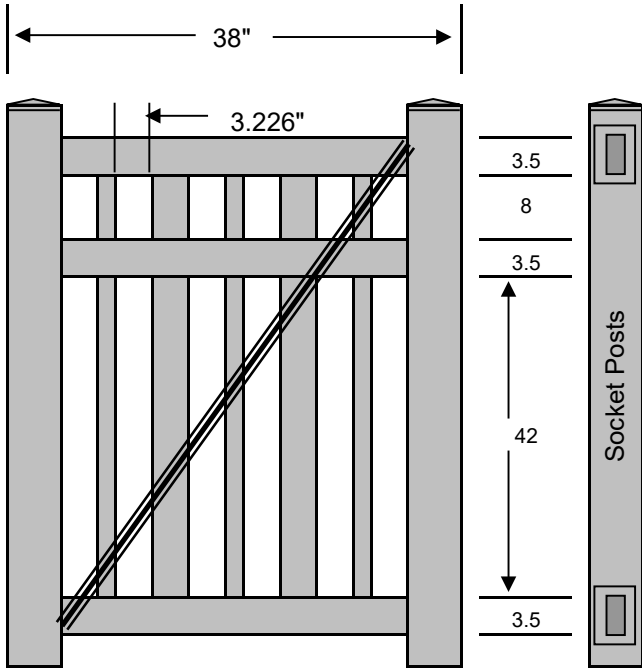


1

Material List			Pulled From		
Qty	Item	Dimension	White	Tan	Khaki
2	Rails	2" x 3.5" x 95.75"	95.75"	95.75"	95.75"
1	Mid Rail	2" x 3.5" x 95.75"	95.75"	95.75"	95.75"
1	Aluminum	1.5" x 3.25" x 95.5"	95.5"	95.5"	95.5"
7	Pickets	0.875" x 3" x 59"	59"	59"	193.25"
8	Pickets	0.875" x 1.5" x 59"	59"	193.25"	193.25"

P_PO-ALT-5X8

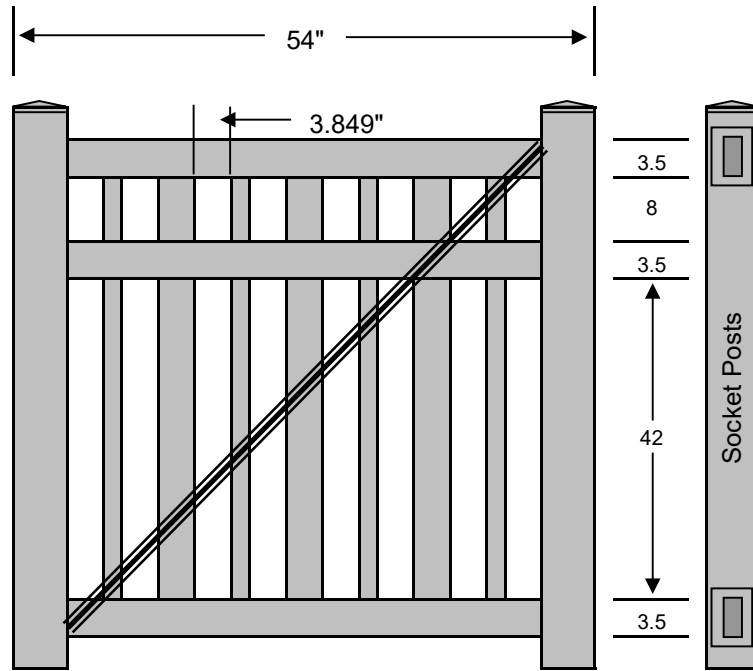
G_PO-ALT-5X38



1	Material List		Pulled From		
	QTY	Item	Dimensions	White	Tan
2	Socket Post	4" x 4" x 64.5"	71.75"	84"	84"
2	Post Caps	4" x 4"	4"	4"	4"
1	Top Rail	2" x 3.5" x 37.5"	95.75"	95.75"	95.75"
1	Mid Rail	2" x 3.5" x 37.5"	95.75"	95.75"	95.75"
1	Bottom Rail	2" x 3.5" x 37.5"	95.75"	95.75"	95.75"
1	Aluminum	1.5" x 3.25" x 37"	95.5"	95.5"	95.5"
1	Cross Brace	Cross Brace	90"	90"	90"
2	Pickets	0.875" x 3" x 59"	59"	59"	193.25"
3	Pickets	0.875" x 1.5" x 59"	59"	193.25"	193.25"
1	Cross Brace Screws & Caps				
1	Vinyl Fence Glue		1.5 Oz	1.5 Oz	1.5 Oz

G_PO-ALT-5X38

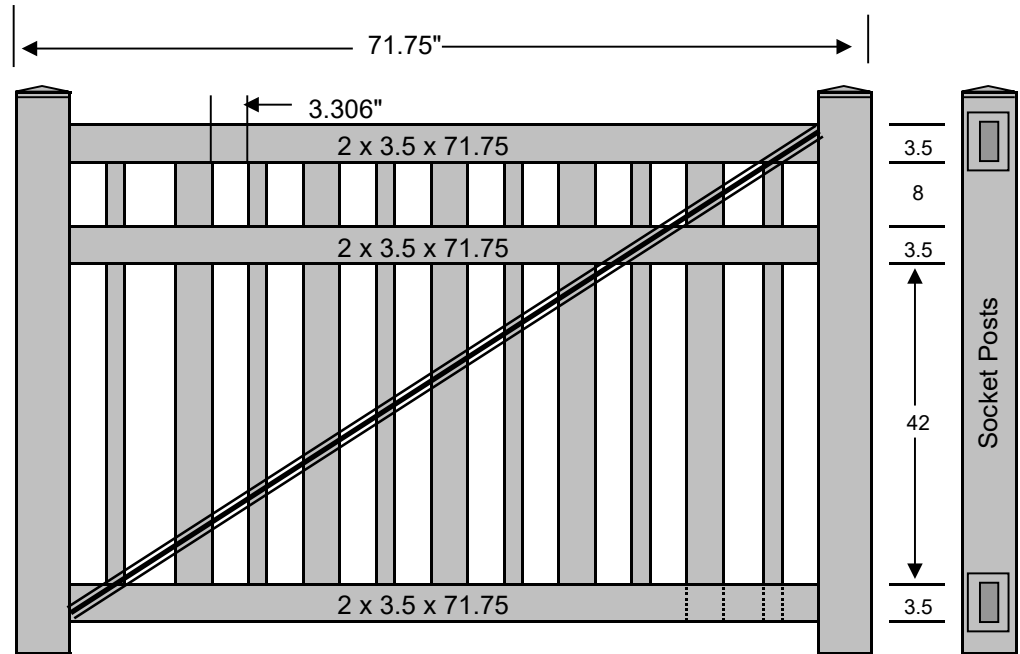
G_PO-ALT-5X54



1

Material List			Pulled From		
QTY	Item	Dimensions	White	Tan	Khaki
2	Socket Post	4" x 4" x 64.5"	71.75"	84"	84"
2	Post Caps	4" x 4"	4"	4"	4"
1	Top Rail	2" x 3.5" x 53.5"	71.75"	71.75"	71.75"
1	Mid Rail	2" x 3.5" x 53.5"	71.75"	71.75"	71.75"
1	Bottom Rail	2" x 3.5" x 53.5"	71.75"	71.75"	71.75"
1	Aluminum	1.5" x 3.25" x 53"	71.5"	71.5"	71.5"
1	Cross Brace	Cross Brace	90"	90"	90"
3	Pickets	0.875" x 3" x 59"	59"	59"	193.25"
4	Pickets	0.875" x 1.5" x 59"	59"	193.25"	193.25"
1	Cross Brace Screws & Caps				
1	Vinyl Fence Glue		1.5 Oz	1.5 Oz	1.5 Oz

G_PO-ALT-5X54



1

Material List			Pulled From		
QTY	Item	Dimensions	White	Tan	Khaki
2	Socket Post	4" x 4" x 64.5"	71.75"	84"	84"
2	Post Caps	4" x 4"	4"	4"	4"
1	Top Rail	2" x 3.5" x 71.5"	71.75"	71.75"	71.75"
1	Mid Rail	2" x 3.5" x 71.5"	71.75"	71.75"	71.75"
1	Bottom Rail	2" x 3.5" x 71.5"	71.75"	71.75"	71.75"
1	Aluminum	1.5" x 3.25" x 71"	71.5"	71.5"	71.5"
1	Cross Brace	Cross Brace	90"	90"	90"
5	Pickets	0.875" x 3" x 59"	59"	59"	193.25"
6	Pickets	0.875" x 1.5" x 59"	59"	193.25"	193.25"
1	Cross Brace Screws & Caps				
1	Vinyl Fence Glue 1.5 Oz Glue		1.5 Oz	1.5 Oz	1.5 Oz

G_PO-ALT-5X72