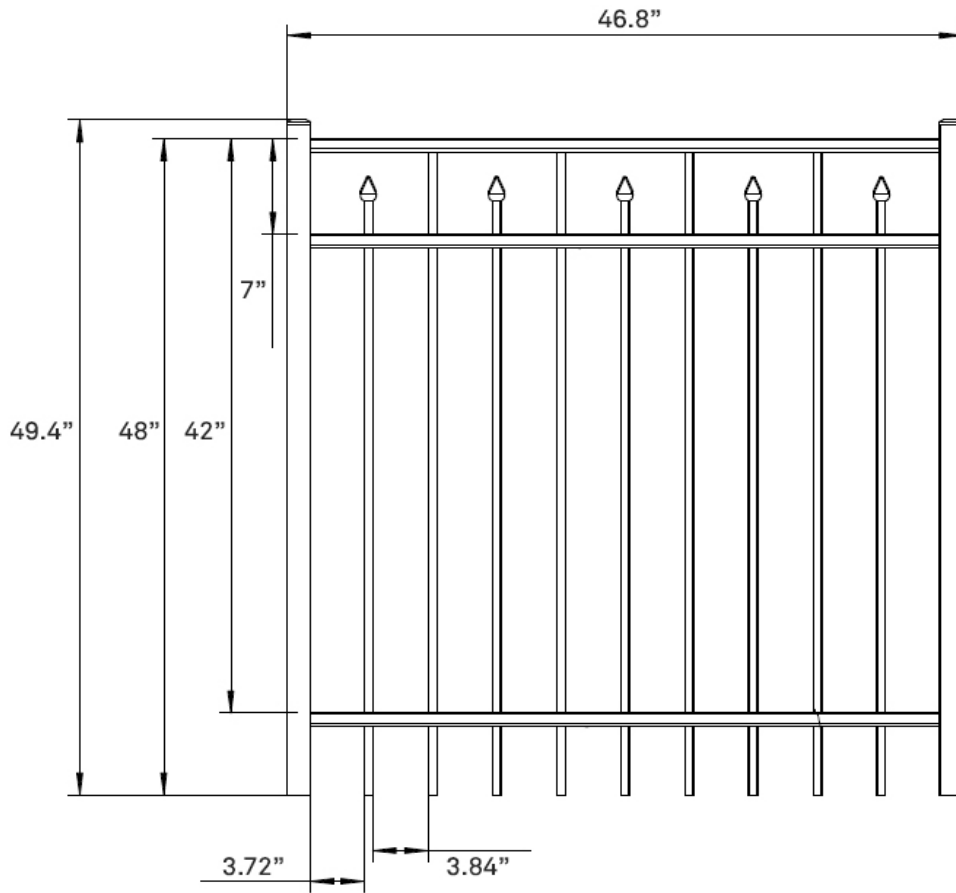


1

Material List		
QTY	Item	Dimensions
1	Top Rail	1" x 1" x 72.5"
1	Mid Rail	1" x 1" x 72.5"
1	Bottom Rail	1" x 1" x 72.5"
3	Hidden Screw Rail Strip	1" x 1" x 72.5"
15	Picket	.625" x .625" x 45.25"
45	Screws	.5"

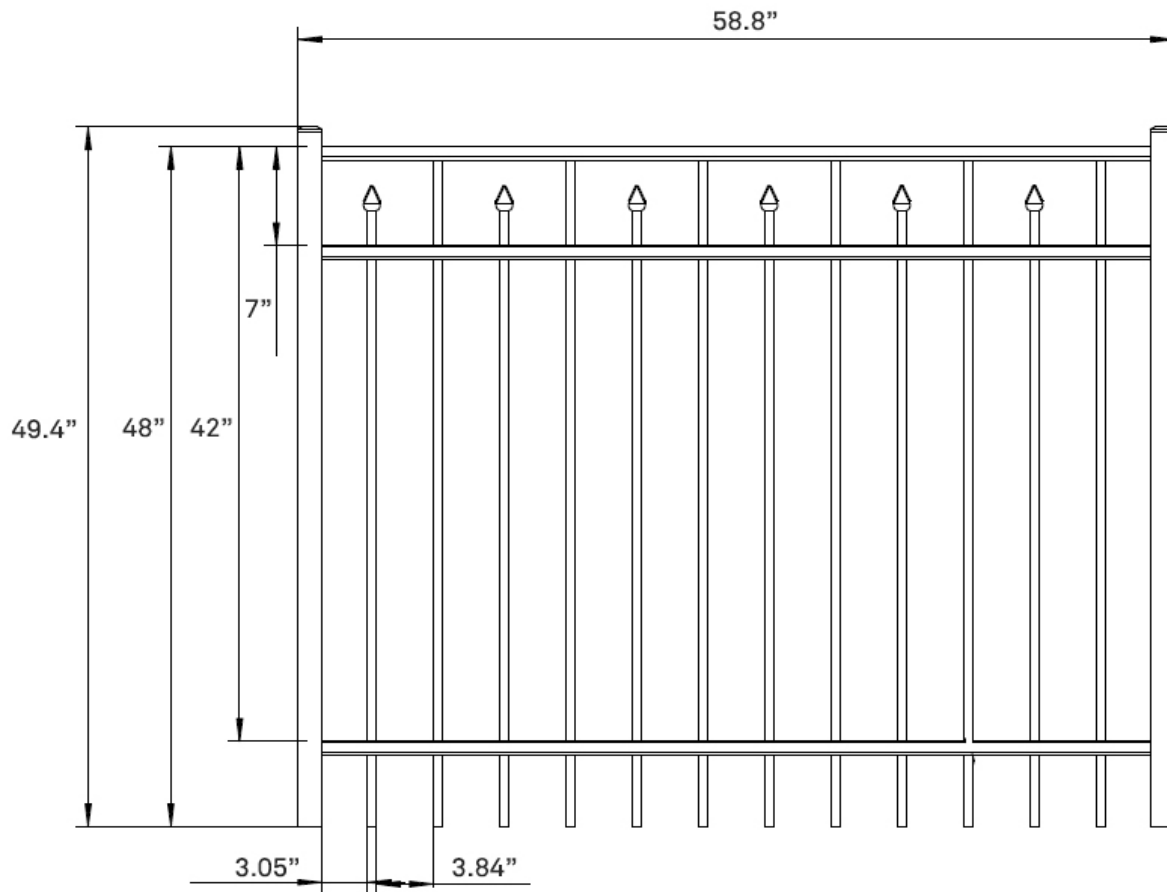
PBAL-FLSP-4X6



1

Material List		
QTY	Item	Dimensions
1	Top Rail	1" x 1" x 46.8"
1	Mid Rail	1" x 1" x 46.8"
1	Bottom Rail	1" x 1" x 46.8"
3	Hidden Screw Rail Strip	1" x 1" x 46.8"
9	Picket	.625" x .625" x 45.25"
27	Screws	.5"

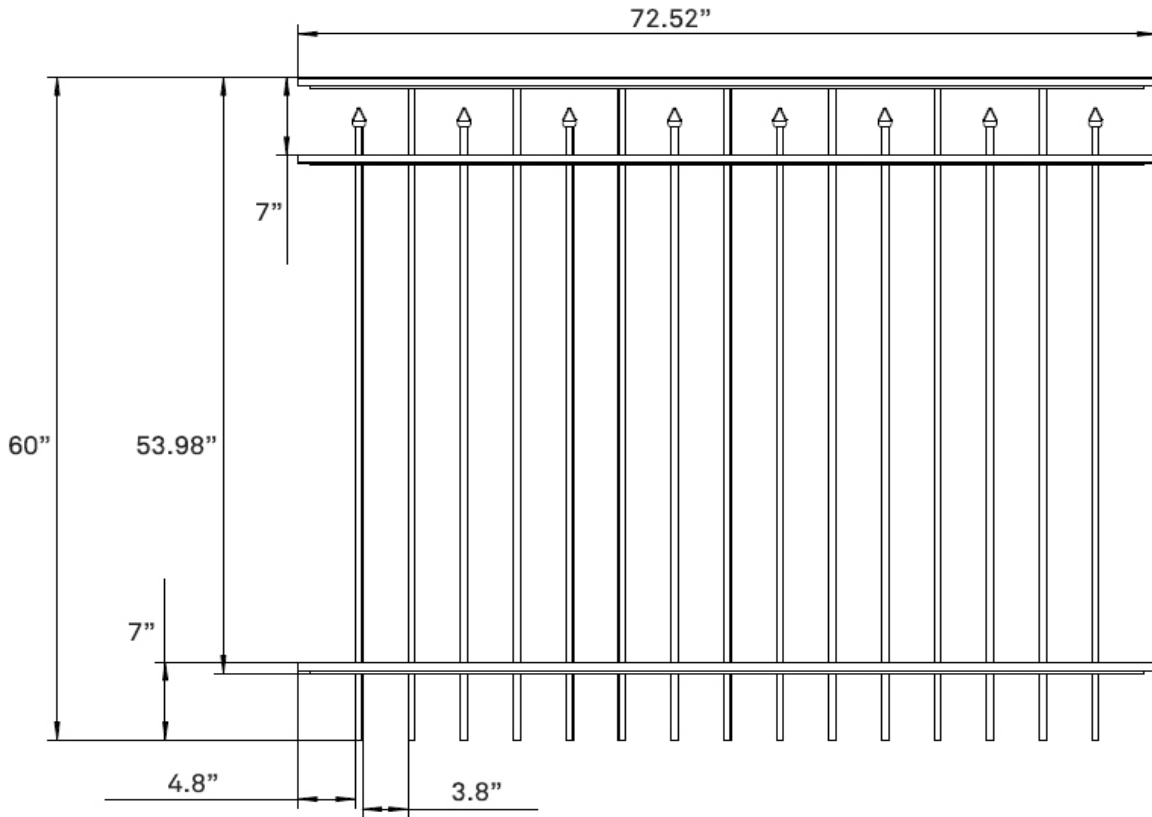
GBAL-FLSP-4X48



1

Material List		
QTY	Item	Dimensions
1	Top Rail	1" x 1" x 58.8"
1	Mid Rail	1" x 1" x 58.8"
1	Bottom Rail	1" x 1" x 58.8"
3	Hidden Screw Rail Strip	1" x 1" x 58.8"
12	Picket	.625" x .625" x 45.25"
24	Screws	.5"

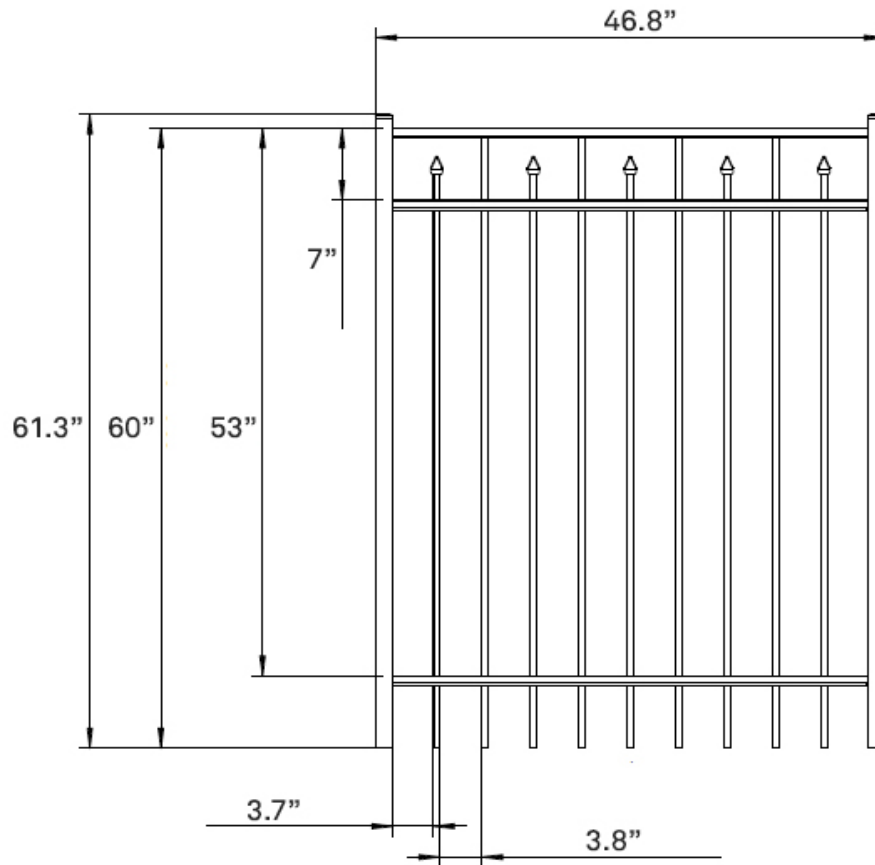
GBAL-FLSP-4X60



1

Material List		
QTY	Item	Dimensions
1	Top Rail	1" x 1" x 72.5"
1	Mid Rail	1" x 1" x 72.5"
1	Bottom Rail	1" x 1" x 72.5"
3	Hidden Screw Rail Strip	1" x 1" x 72.5"
15	Picket	.625" x .625" x 57.25"
45	Screws	.5"

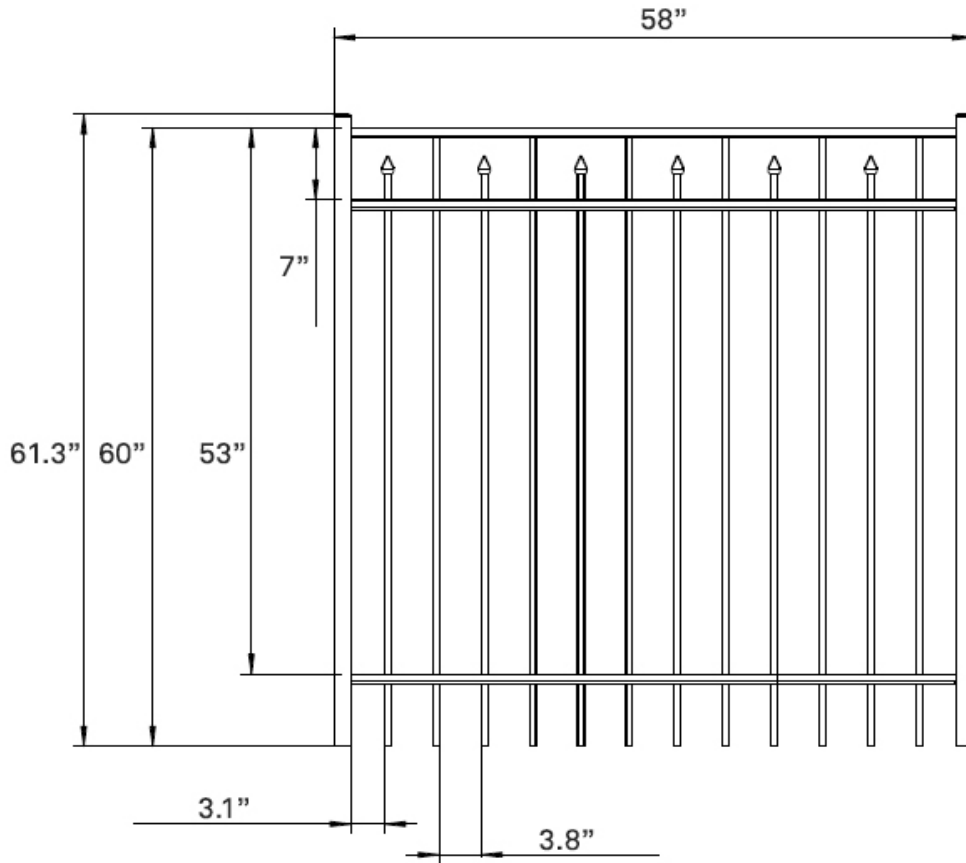
PBAL-FLSP-5X6



1

Material List		
QTY	Item	Dimensions
1	Top Rail	1" x 1" x 46.8"
1	Mid Rail	1" x 1" x 46.8"
1	Bottom Rail	1" x 1" x 46.8"
3	Hidden Screw Rail Strip	1" x 1" x 46.8"
9	Picket	.625" x .625" x 57.25"
27	Screws	.5"

GBAL-FLSP-5X48



1

Material List		
QTY	Item	Dimensions
1	Top Rail	1" x 1" x 58.8"
1	Mid Rail	1" x 1" x 58.8"
1	Bottom Rail	1" x 1" x 58.8"
3	Hidden Screw Rail Strip	1" x 1" x 58.8"
12	Picket	.625" x .625" x 57.25"
24	Screws	.5"

GBAL-FLSP-5X60