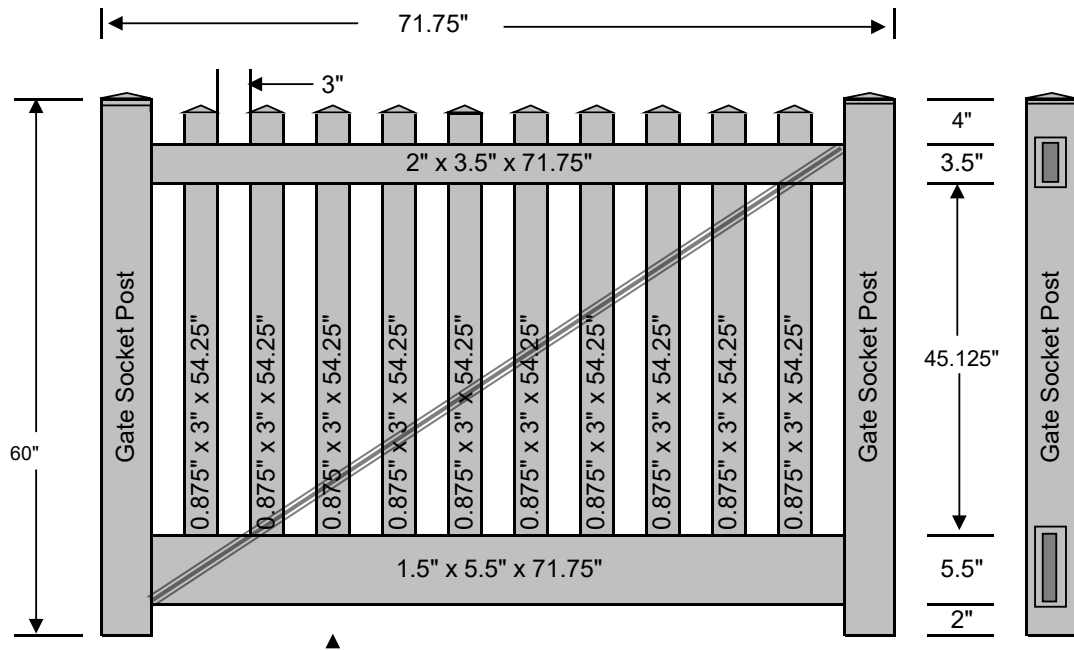


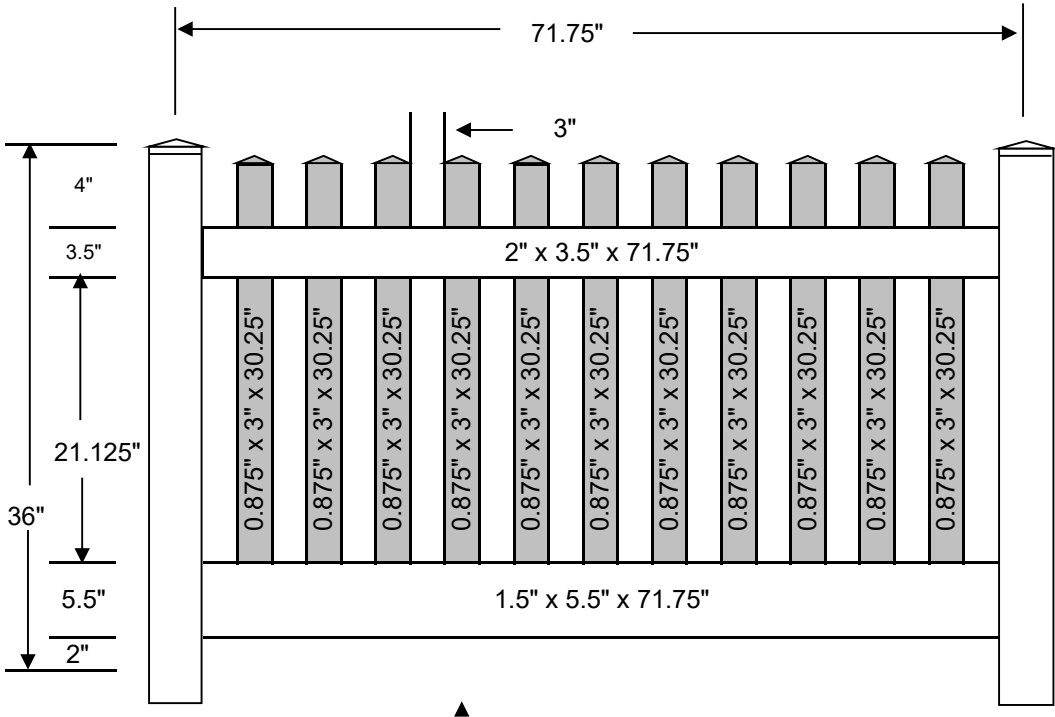
G_PI-3R5.5-5X72



1			Material List			Pulled From		
Qty	Item	Dimensions	White	Tan	Khaki	White	Tan	Khaki
2	Socket Posts	4" x 4" x 60"	71.75"	84"	84"			
2	Post Caps	4" x 4"	4"	4"	4"			
1	Top Rail	2" x 3.5" x 71.5"	71.75"	71.75"	71.75"			
1	Bottom Rail	1.5" x 5.5" x 71.5"	71.75"	71.75"	71.75"			
1	Aluminum	1.25" x 2" x 71"	71.5"	71.5"	71.5"			
1	Cross Brace	Cross Brace	90"	90"	90"			
10	Pickets	0.875" x 3" x 54.25"	59"	59"	193.25"			
10	Picket Caps	0.875" x 3"	3"	3"	3"			
1	Vinyl Fence Glue		1.5 Oz	1.5 Oz	1.5 Oz			
1	Cross Brace Screw and Cap							

G_PI-3R5.5-5X72

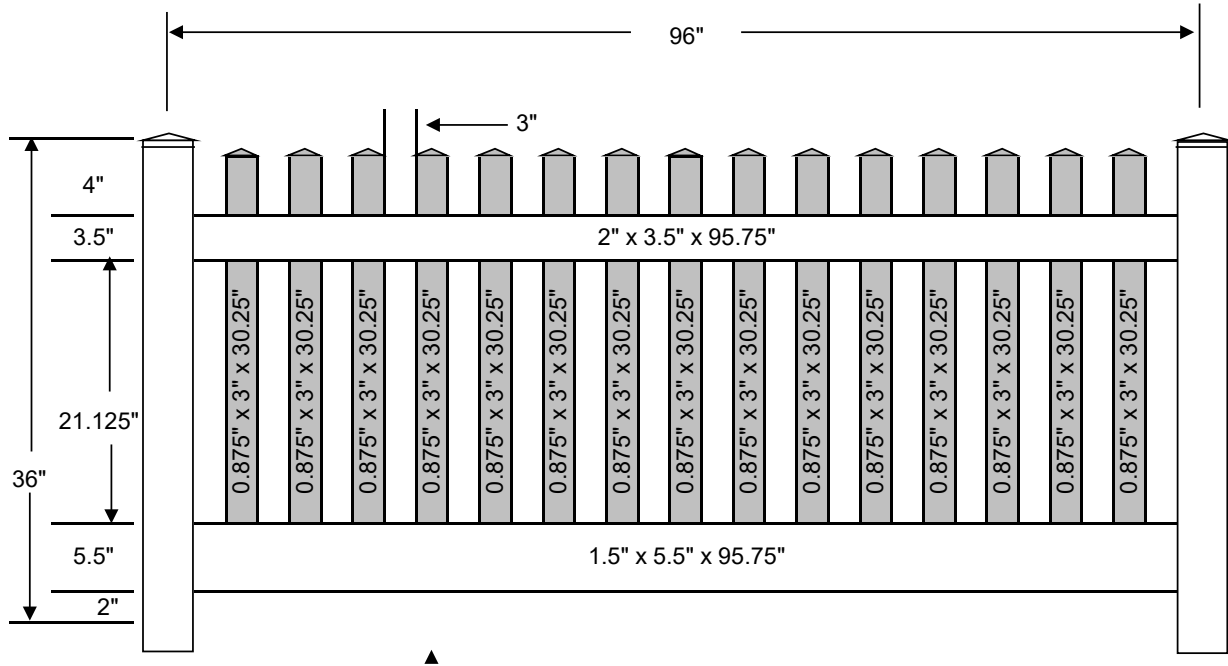
P_PI-3R5.5-3X6



1

Material List			Pulled From		
Qty	Item	Dimension	White	Tan	Khaki
1	Top Rail	2" x 3.5" x 71.75"	71.75"	71.75"	71.75"
1	Bottom Rail	1.5" x 5.5" x 71.75"	71.75"	71.75"	71.75"
11	Pickets	0.875" x 3" x 30.25"	64"	64"	193.25"
11	Picket Caps	0.875" x 3"	3"	3"	3"
P_PI-3R5.5-3X6					

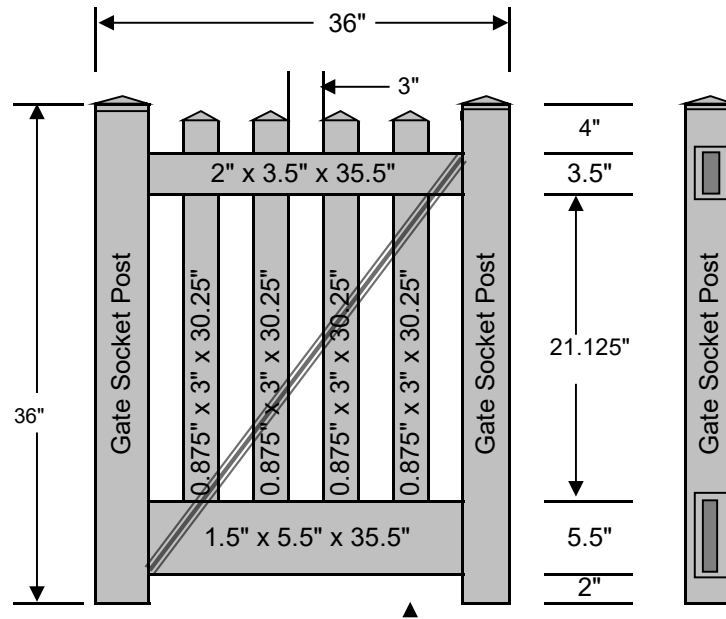
P_PI-3R5.5-3X8



1	Material List		Pulled From		
	Qty	Item	Dimension	White	Tan
1	Top Rail	2" x 3.5" x 95.75"	95.75"	95.75"	95.75"
1	Bottom Rail	1.5" x 5.5" x 95.75"	95.75"	95.75"	95.75"
1	Aluminum	1.25" x 2" x 95.5"	95.5"	95.5"	95.5"
15	Pickets	0.875" x 3" x 30.25"	64"	64"	193.25"
15	Picket Caps	0.875" x 3"	3"	3"	3"

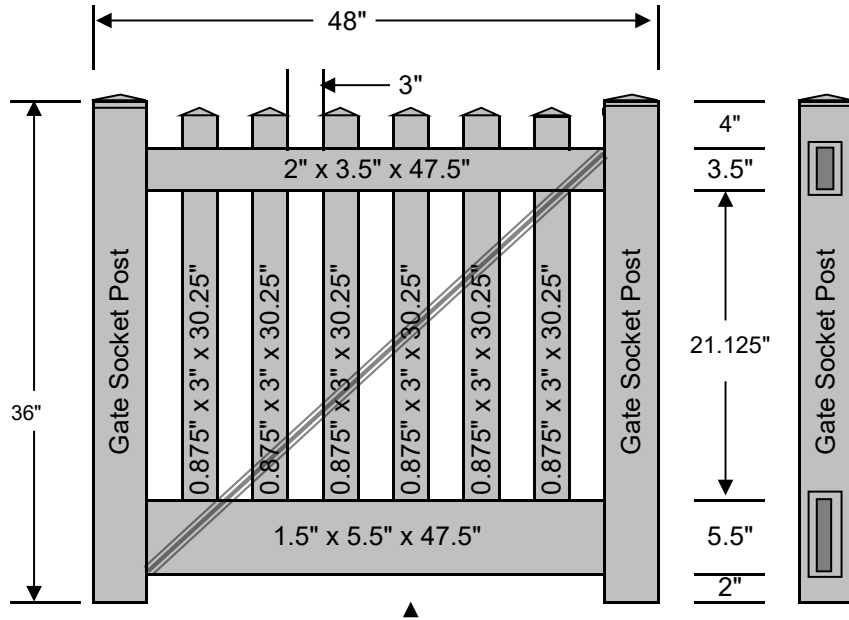
P_PI-3R5.5-3X8

G_PI-3R5.5-3X36



1			Material List		Pulled From		
Qty	Item	Dimensions	White	Tan	Khaki		
2	Socket Posts	4" x 4" x 36"	39"	39"	39"		
2	Post Caps	4" x 4"	4"	4"	4"		
1	Top Rail	2" x 3.5" x 35.5"	71.75"	71.75"	71.75"		
1	Bottom Rail	1.5" x 5.5" x 35.5"	71.75"	71.75"	71.75"		
1	Aluminum	1.25" x 2" x 35"	71.5"	71.5"	71.5"		
1	Cross Brace	Cross Brace	90"	90"	90"		
4	Pickets	0.875" x 3" x 30.25"	64"	64"	193.25"		
4	Picket Caps	0.875" x 3"	3"	3"	3"		
1	Vinyl Fence Glue		1.5 Oz	1.5 Oz	1.5 Oz		
1	Cross Brace Screw and Cap						
			G_PI-3R5.5-3X36				

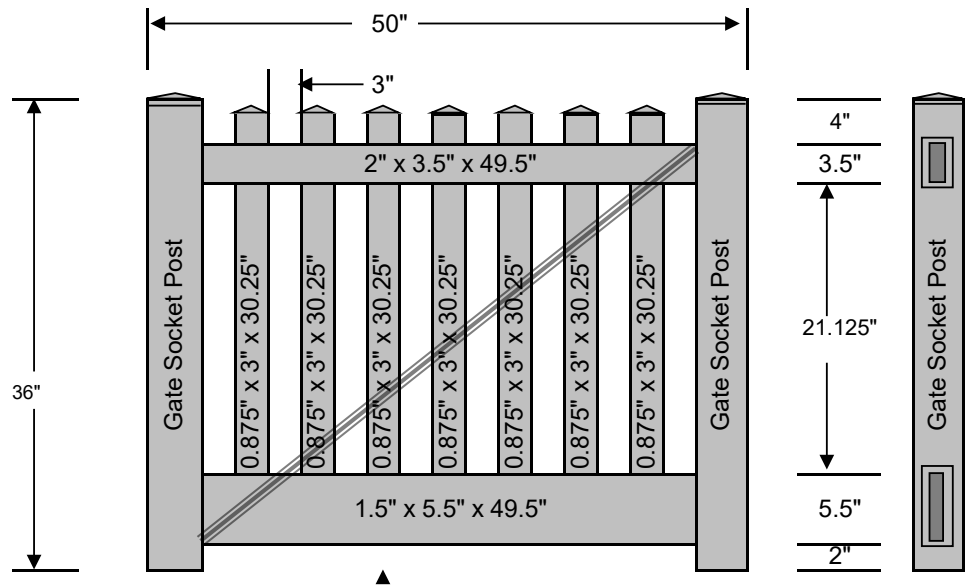
G_PI-3R5.5-3X48



1			Material List		Pulled From		
Qty	Item	Dimensions	White	Tan	Khaki		
2	Socket Posts	4" x 4" x 36"	39"	39"	39"		
2	Post Caps	4" x 4"	4"	4"	4"		
1	Top Rail	2" x 3.5" x 47.5"	95.75"	95.75"	95.75"		
1	Bottom Rail	1.5" x 5.5" x 47.5"	95.75"	95.75"	95.75"		
1	Aluminum	1.25" x 2" x 47"	95.5"	95.5"	95.5"		
1	Cross Brace	Cross Brace	90"	90"	90"		
6	Pickets	0.875" x 3" x 30.25"	64"	64"	193.25"		
6	Picket Caps	0.875" x 3"	3"	3"	3"		
1	Vinyl Fence Glue		1.5 Oz	1.5 Oz	1.5 Oz		
1	Cross Brace Screw and Cap						

G_PI-3R5.5-3X48

G_PI-3R5.5-3X50

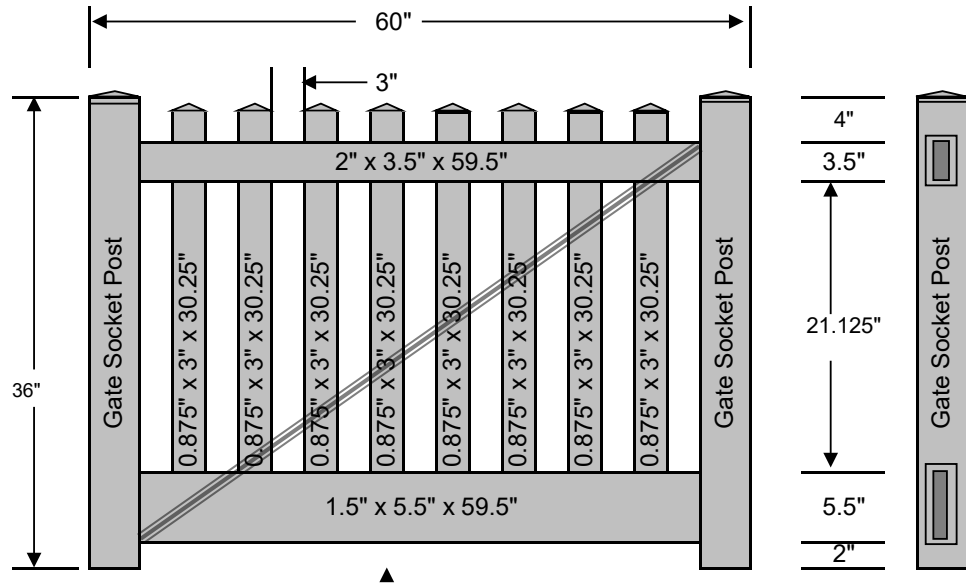


1

Material List			Pulled From		
Qty	Item	Dimensions	White	Tan	Khaki
2	Socket Posts	4" x 4" x 36"	39"	39"	39"
2	Post Caps	4" x 4"	4"	4"	4"
1	Top Rail	2" x 3.5" x 49.5"	71.75"	71.75"	71.75"
1	Bottom Rail	1.5" x 5.5" x 49.5"	71.75"	71.75"	71.75"
1	Aluminum	1.25" x 2" x 49"	71.5"	71.5"	71.5"
1	Cross Brace	Cross Brace	90"	90"	90"
7	Pickets	0.875" x 3" x 30.25"	64"	64"	193.25"
7	Picket Caps	0.875" x 3"	3"	3"	3"
1	Vinyl Fence Glue		1.5 Oz	1.5 Oz	1.5 Oz
1	Cross Brace Screw and Cap				

G_PI-3R5.5-3X50

G_PI-3R5.5-3X60

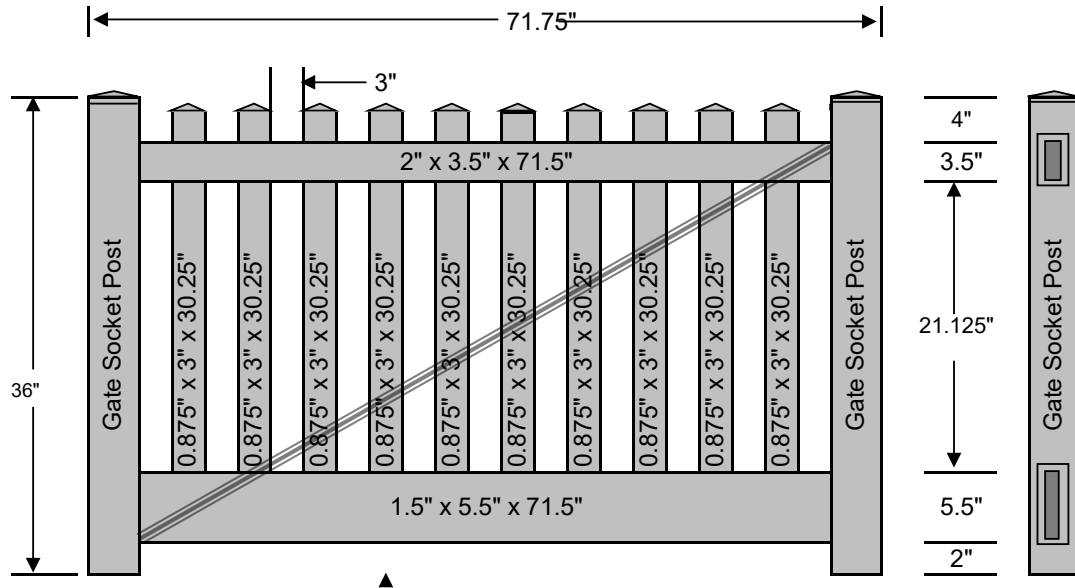


1

Material List			Pulled From		
Qty	Item	Dimensions	White	Tan	Khaki
2	Socket Posts	4" x 4 "x 36"	39"	39"	39"
2	Post Caps	4" x 4"	4"	4"	4"
1	Top Rail	2" x 3.5" x 59.5"	71.75"	71.75"	71.75"
1	Bottom Rail	1.5" x 5.5" x 59.5"	71.75"	71.75"	71.75"
1	Aluminum	1.25" x 2" x 59"	71.5"	71.5"	71.5"
1	Cross Brace	Cross Brace	90"	90"	90"
8	Pickets	0.875" x 3" x 30.25"	64"	64"	193.25"
8	Picket Caps	0.875" x 3"	3"	3"	3"
1	Vinyl Fence Glue		1.5 Oz	1.5 Oz	1.5 Oz
1	Cross Brace Screw and Cap				

G_PI-3R5.5-3X60

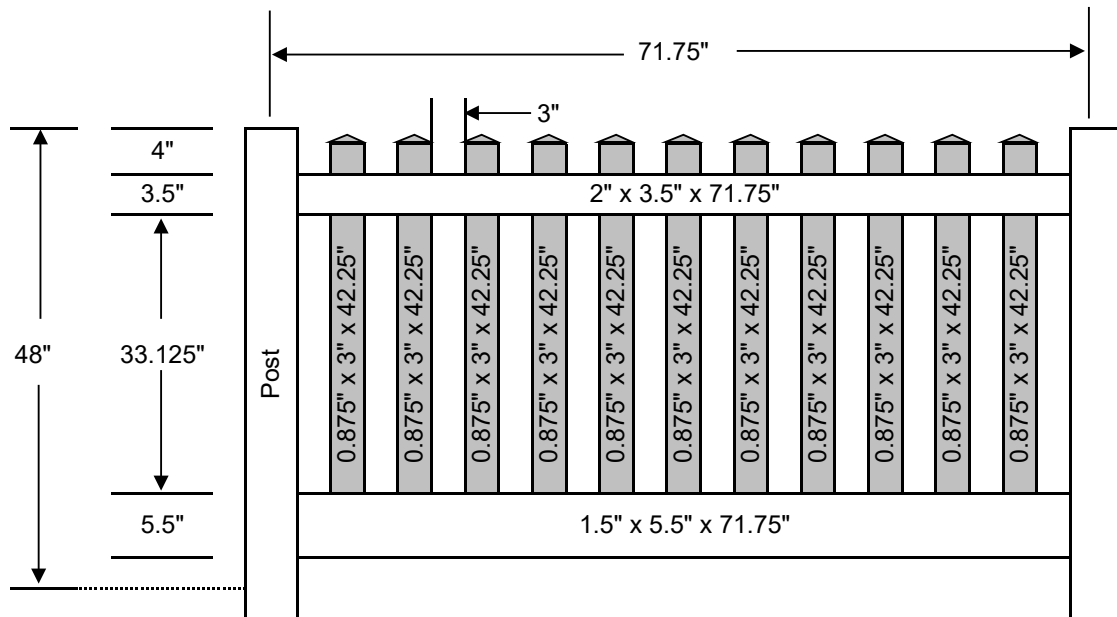
G_PI-3R5.5-3X72



1			Material List		Pulled From		
Qty	Item	Dimensions	White	Tan	Khaki		
2	Socket Posts	4" x 4" x 36"	39"	39"	39"		
2	Post Caps	4" x 4"	4"	4"	4"		
1	Top Rail	2" x 3.5" x 71.5"	71.75"	71.75"	71.75"		
1	Bottom Rail	1.5" x 5.5" x 71.5"	71.75"	71.75"	71.75"		
1	Aluminum	1.25" x 1.75' x 71"	71.5"	71.5"	71.5"		
1	Cross Brace	Cross Brace	90"	90"	90"		
10	Pickets	0.875" x 3" x 30.25"	64"	64"	193.25"		
10	Picket Caps	0.875" x 3"	3"	3"	3"		
1	Vinyl Fence Glue		1.5 Oz	1.5 Oz	1.5 Oz		
1	Cross Brace Screw and Cap						

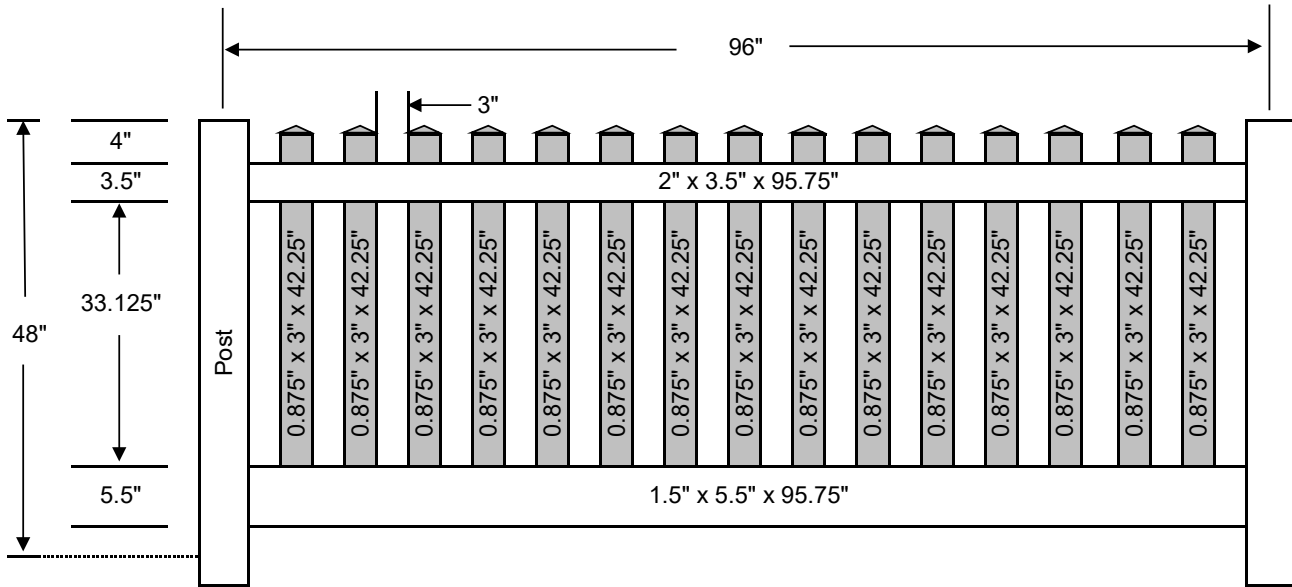
G_PI-3R5.5-3X72

P_PI-3R5.5-4X6



1		Material List	Pulled From		
Qty	Item	Dimension	White	Tan	Khaki
1	Top Rail	2" x 3.5" x 71.75"	71.75"	71.75"	71.75"
1	Bottom Rail	1.5" x 5.5" x 71.75"	71.75"	71.75"	71.75"
11	Pickets	0.875" x 3" x 42.25"	42.25"	47"	47"
11	Picket Caps	0.875" x 3"	3"	3"	3"
			P_PI-3R5.5-4X6		

P_PI-3R5.5-4X8

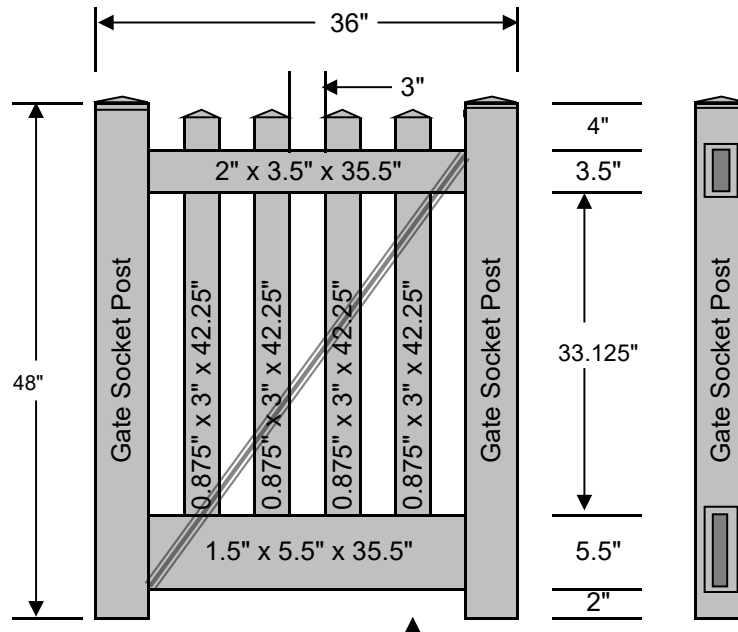


1

Material List			Pulled From		
Qty	Item	Dimension	White	Tan	Khaki
1	Top Rail	2" x 3.5" x 95.75"	95.75"	95.75"	95.75"
1	Bottom Rail	1.5" x 5.5" x 95.75"	95.75"	95.75"	95.75"
1	Aluminum	1.25" x 2" x 95.5"	95.5"	95.5"	95.5"
15	Pickets	0.875" x 3" x 42.25"	42.25"	47"	47"
15	Picket Caps	0.875" x 3"	3"	3"	3"

P_PI-3R5.5-4X8

G_PI-3R5.5-4X36

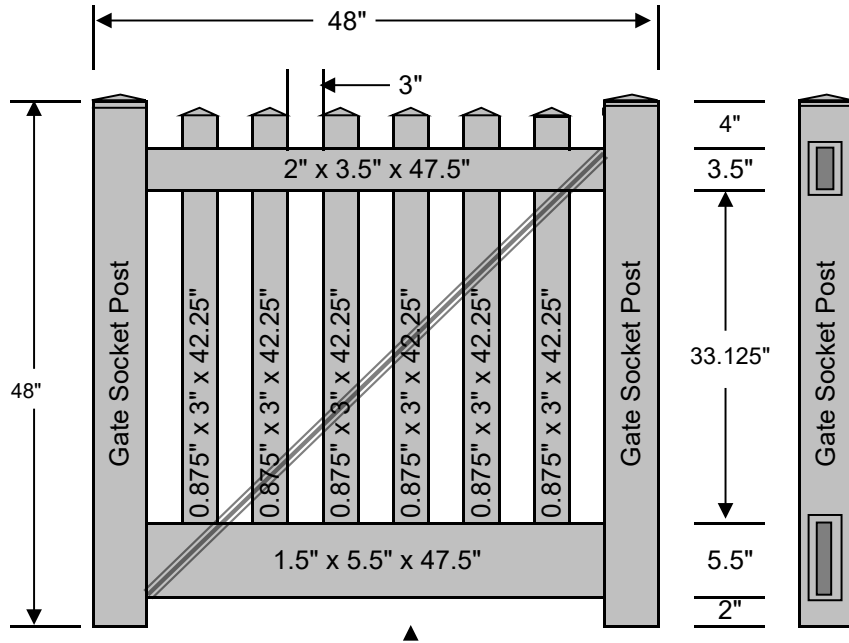


1

Material List			Pulled From		
Qty	Item	Dimensions	White	Tan	Khaki
2	Socket Posts	4" x 4" x 48"	54"	108"	108"
2	Post Caps	4" x 4"	4"	4"	4"
1	Top Rail	2" x 3.5" x 35.5"	71.75"	71.75"	71.75"
1	Bottom Rail	1.5" x 5.5" x 35.5"	71.75"	71.75"	71.75"
1	Aluminum	1.25" x 2" x 35"	71.5"	71.5"	71.5"
1	Cross Brace	Cross Brace	90"	90"	90"
4	Pickets	0.875" x 3" x 42.25"	42.25"	47"	47"
4	Picket Caps	0.875" x 3"	3"	3"	3"
1	Vinyl Fence Glue		1.5 Oz	1.5 Oz	1.5 Oz
1	Cross Brace Screw and Cap				

G_PI-3R5.5-4X36

G_PI-3R5.5-4X48

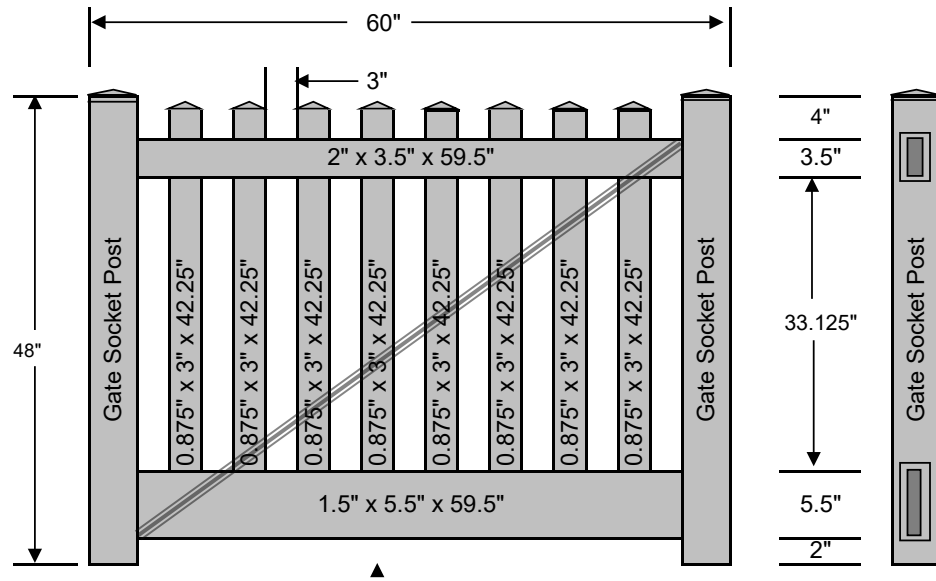


1

Material List			Pulled From		
Qty	Item	Dimensions	White	Tan	Khaki
2	Socket Posts	4" x 4" x 48"	54"	108"	108"
2	Post Caps	4" x 4"	4"	4"	4"
1	Top Rail	2" x 3.5" x 47.5"	95.75"	95.75"	95.75"
1	Bottom Rail	1.5" x 5.5" x 47.5"	95.75"	95.75"	95.75"
1	Aluminum	1.25" x 2" x 47"	95.5"	95.5"	95.5"
1	Cross Brace	Cross Brace	90"	90"	90"
6	Pickets	0.875" x 3" x 42.25"	42.25"	47"	47"
6	Picket Caps	0.875" x 3"	3"	3"	3"
1	Vinyl Fence Glue		1.5 Oz	1.5 Oz	1.5 Oz
1	Cross Brace Screw and Cap				

G_PI-3R5.5-4X48

G_PI-3R5.5-4X60

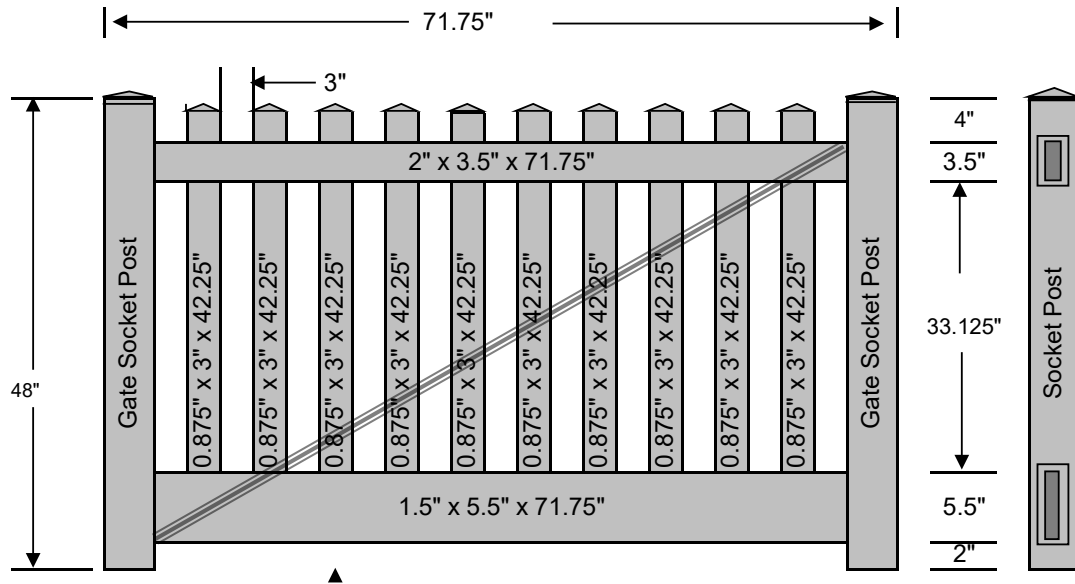


1

Material List			Pulled From		
Qty	Item	Dimensions	White	Tan	Khaki
2	Socket Posts	4" x 4" x 48"	54"	108"	108"
2	Post Caps	4" x 4"	4"	4"	4"
1	Top Rail	2" x 3.5" x 59.5"	71.75"	71.75"	71.75"
1	Bottom Rail	1.5" x 5.5" x 59.5"	71.75"	71.75"	71.75"
1	Aluminum	1.25" x 2" x 59"	71.5"	71.5"	71.5"
1	Cross Brace	Cross Brace	90"	90"	90"
8	Pickets	0.875" x 3" x 42.25"	42.25"	47"	47"
8	Picket Caps	0.875" x 3"	3"	3"	3"
1	Vinyl Fence Glue		1.5 Oz	1.5 Oz	1.5 Oz
1	Cross Brace Screw and Cap				

G_PI-3R5.5-4X60

G_PI-3R5.5-4X72

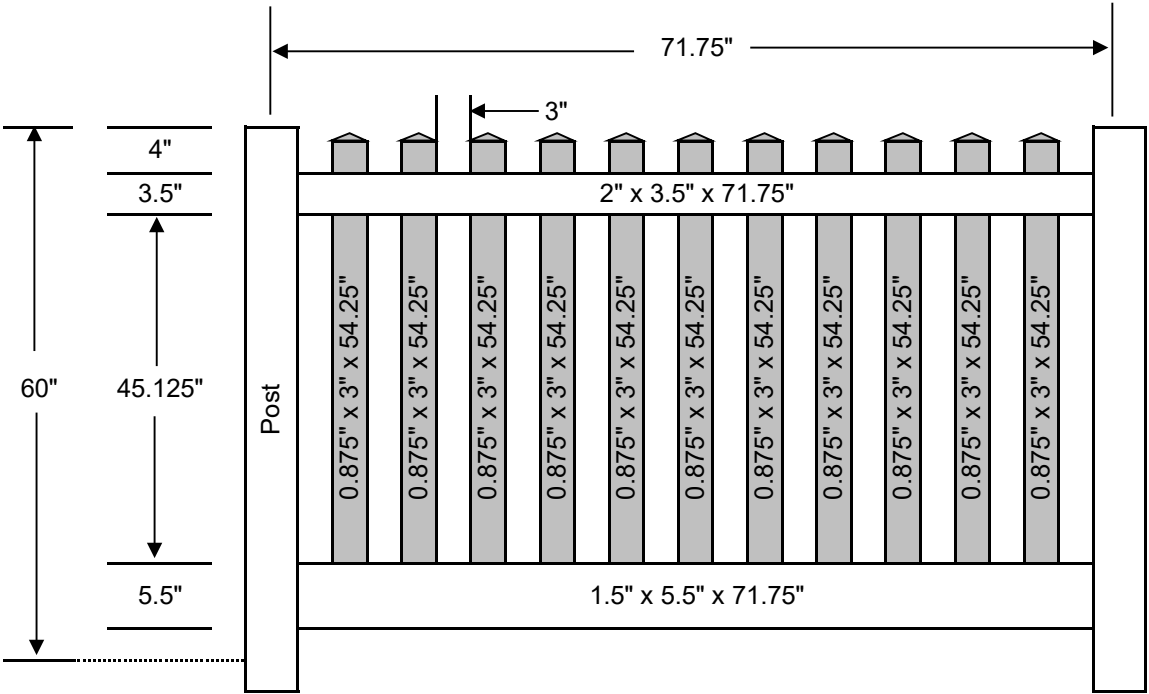


1

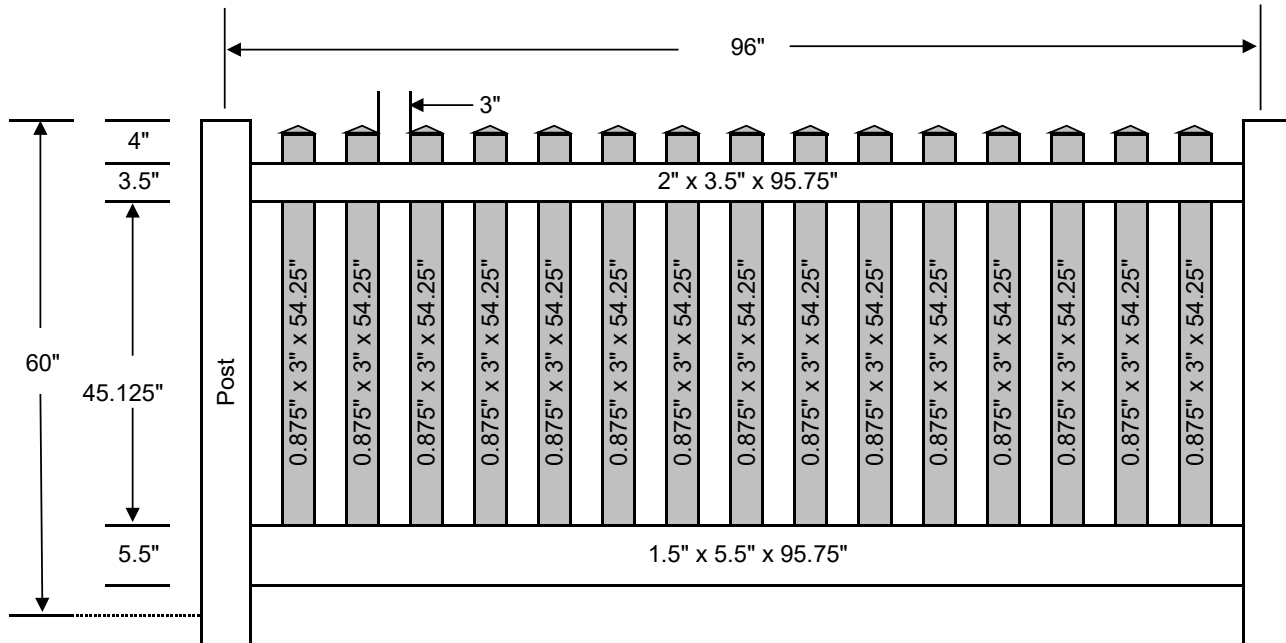
Material List			Pulled From		
Qty	Item	Dimensions	White	Tan	Khaki
2	Socket Posts	4" x 4" x 48"	54"	108"	108"
2	Post Caps	4" x 4"	4"	4"	4"
1	Top Rail	2" x 3.5" x 71.75"	71.75"	71.75"	71.75"
1	Bottom Rail	1.5" x 5.5" x 71.75"	71.75"	71.75"	71.75"
1	Aluminum	1.25" x 2" x 71"	71.5"	71.5"	71.5"
1	Cross Brace	Cross Brace	90"	90"	90"
10	Pickets	0.875" x 3" x 42.25"	42.25"	47"	47"
10	Picket Caps	0.875" x 3"	3"	3"	3"
1	Vinyl Fence Glue		1.5 Oz	1.5 Oz	1.5 Oz
1	Cross Brace Screw and Cap				

G_PI-3R5.5-4X72

P_PI-3R5.5-5X6



1	Material List		Pulled From		
	Qty	Item	Dimension	White	Tan
1	Top Rail	2" x 3.5" x 71.75"	71.75"	71.75"	71.75"
1	Bottom Rail	1.5" x 5.5" x 71.75"	71.75"	71.75"	71.75"
11	Pickets	0.875" x 3" x 54.25"	59"	59"	193.25"
11	Picket Caps	0.875" x 3"	3"	3"	3"
			P_PI-3R5.5-5X6		

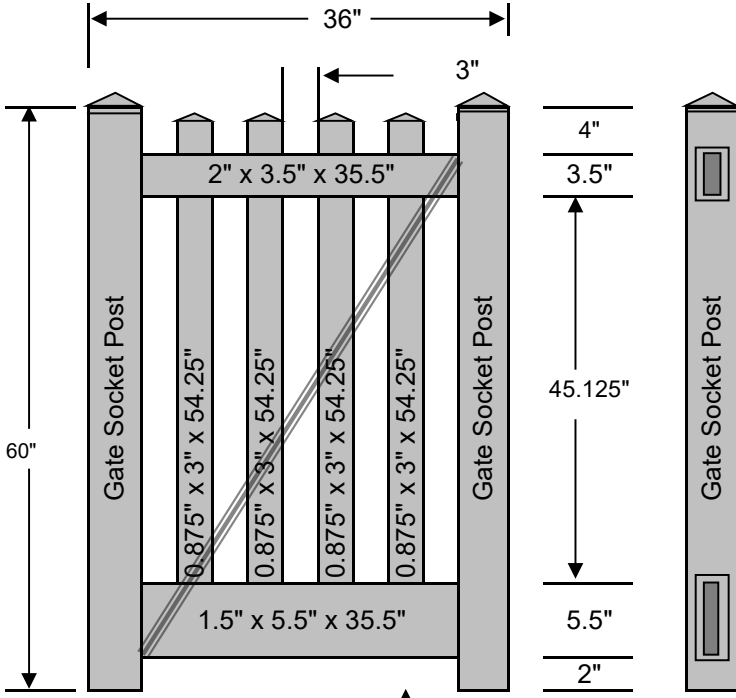


1

Material List			Pulled From		
Qty	Item	Dimension	White	Tan	Khaki
1	Top Rail	2" x 3.5" x 95.75"	95.75"	95.75"	95.75"
1	Bottom Rail	1.5" x 5.5" x 95.75"	95.75"	95.75"	95.75"
1	Aluminum	1.25" x 2" x 95.5"	95.5"	95.5"	95.5"
15	Pickets	0.875" x 3" x 54.25"	59"	59"	193.25"
15	Picket Caps	0.875" x 3"	3"	3"	3"

P_PI-3R5.5-5X8

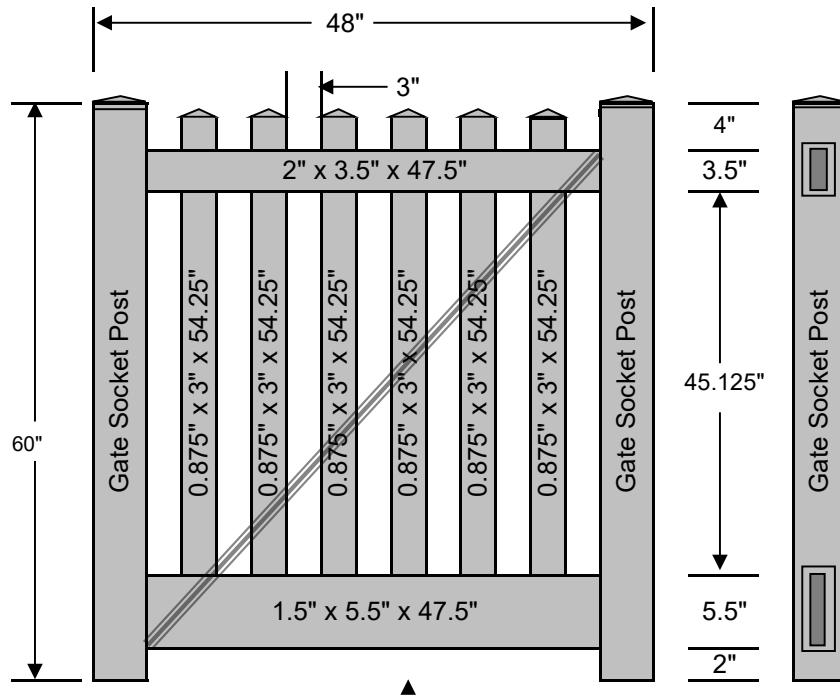
G_PI-3R5.5-5X36



1		Material List		Pulled From		
Qty	Item	Dimensions	White	Tan	Khaki	
2	Socket Posts	4" x 4" x 60"	71.75"	84"	84"	
2	Post Caps	4" x 4"	4"	4"	4"	
1	Top Rail	2" x 3.5" x 35.5"	71.75"	71.75"	71.75"	
1	Bottom Rail	1.5" x 5.5" x 35.5"	71.75"	71.75"	71.75"	
1	Aluminum	1.25" x 2" x 35"	71.5"	71.5"	71.5"	
1	Cross Brace	Cross Brace	90"	90"	90"	
4	Pickets	0.875" x 3" x 54.25"	59"	59"	193.25"	
4	Picket Caps	0.875" x 3"	3"	3"	3"	
1	Vinyl Fence Glue		1.5 Oz	1.5 Oz	1.5 Oz	
1	Cross Brace Screw and Cap					

G_PI-3R5.5-5X36

G_PI-3R5.5-5X48

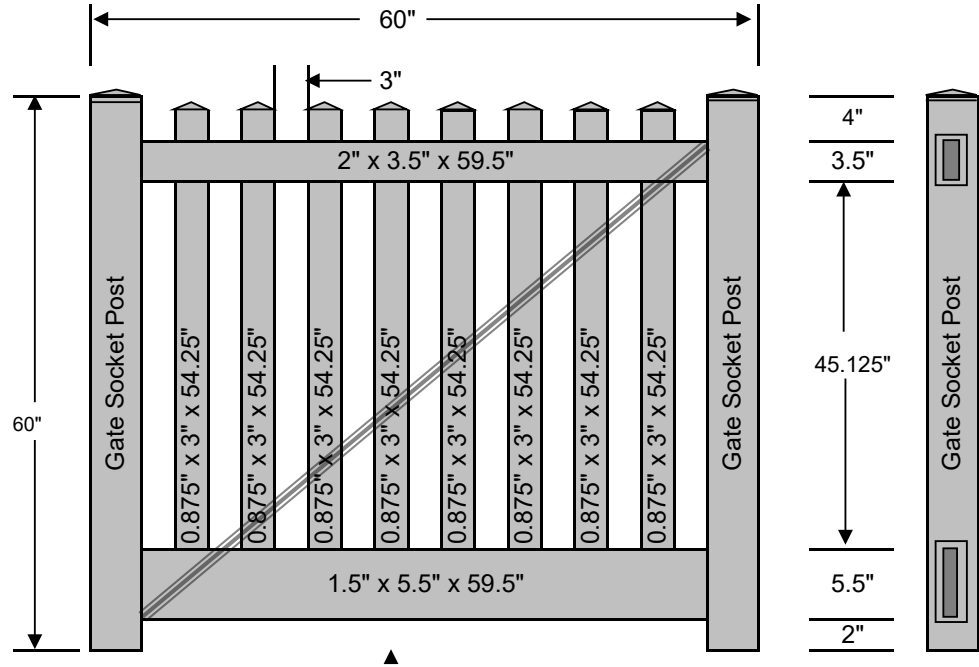


1

Material List			Pulled From		
Qty	Item	Dimensions	White	Tan	Khaki
2	Socket Posts	4" x 4" x 60"	71.75"	84"	84"
2	Post Caps	4" x 4"	4"	4"	4"
1	Top Rail	2" x 3.5" x 47.5"	95.75"	95.75"	95.75"
1	Bottom Rail	1.5" x 5.5" x 47.5"	95.75"	95.75"	95.75"
1	Aluminum	1.25" x 2" x 47"	95.5"	95.5"	95.5"
1	Cross Brace	Cross Brace	90"	90"	90"
6	Pickets	0.875" x 3" x 54.25"	59"	59"	193.25"
6	Picket Caps	0.875" x 3"	3"	3"	3"
1	Vinyl Fence Glue		1.5 Oz	1.5 Oz	1.5 Oz
1	Cross Brace Screw and Cap				

G_PI-3R5.5-5X48

G_PI-3R5.5-5X60



1

Material List		Pulled From			
Qty	Item	Dimensions	White	Tan	Khaki
2	Socket Posts	4" x 4" x 60"	71.75"	84"	84"
2	Post Caps	4" x 4"	4"	4"	4"
1	Top Rail	2" x 3.5" x 59.5"	71.75"	71.75"	71.75"
1	Bottom Rail	1.5" x 5.5" x 59.5"	71.75"	71.75"	71.75"
1	Aluminum	1.25" x 2" x 59"	71.5"	71.5"	71.5"
1	Cross Brace	Cross Brace	90"	90"	90"
8	Pickets	0.875" x 3" x 54.25"	59"	59"	193.25"
8	Picket Caps	0.875" x 3"	3"	3"	3"
1	Vinyl Fence Glue		1.5 Oz	1.5 Oz	1.5 Oz
1	Cross Brace Screw and Cap				

G_PI-3R5.5-5X60