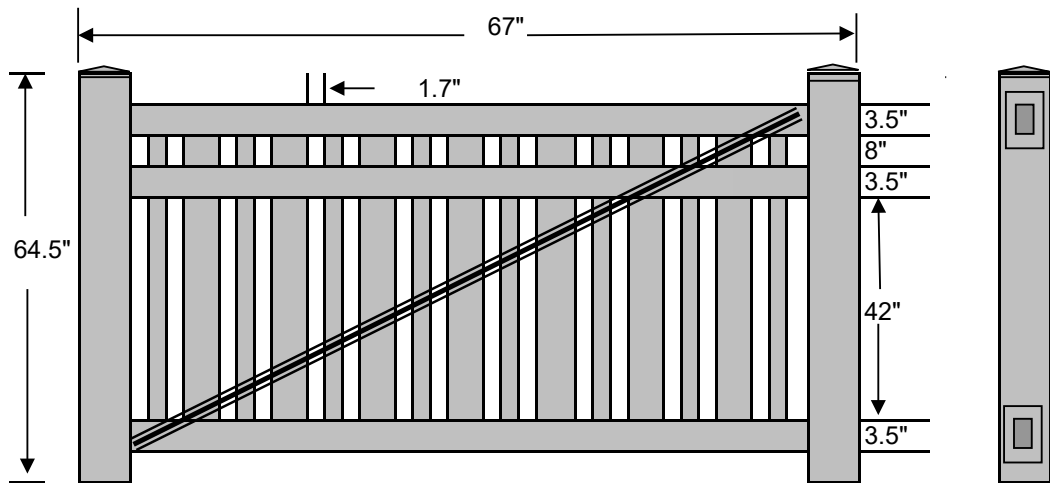


G_PO-ALTNR-5X67

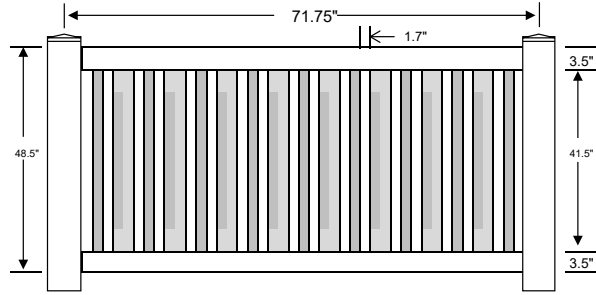


1

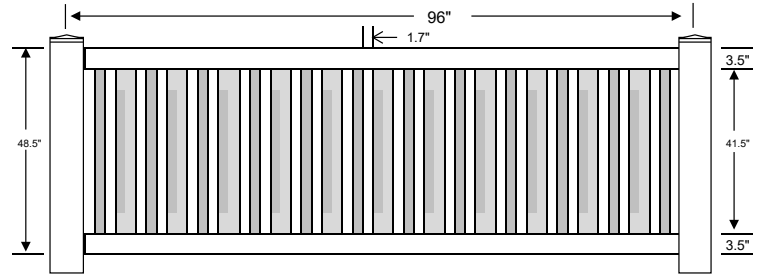
Material List			Pulled From		
QTY	Item	Dimensions	White	Tan	Khaki
2	Socket Post	4" x 4" x 64.5"	71.75"	84"	84"
2	Post Caps	4" x 4"	4"	4"	4"
1	Top Rail	2" x 3.5" x 66.5"	71.75"	71.75"	71.75"
1	Mid Rail	2" x 3.5" x 66.5"	71.75"	71.75"	71.75"
1	Bottom Rail	2" x 3.5" x 66.5"	71.75"	71.75"	71.75"
1	Aluminum	1.5" x 3.25" x 66"	71.5"	71.5"	71.5"
7	Pickets	0.875" x 3" x 59"	59"	59"	193.25"
8	Pickets	0.875" x 1.5" x 59"	59"	193.25"	193.25"
1	Cross Brace	Cross Brace	90"	90"	90"
1	Cross Brace Screws & Caps				
1	Vinyl Fence Glue		1.5 Oz	1.5 Oz	1.5 Oz

G_PO-ALTNR-5X67

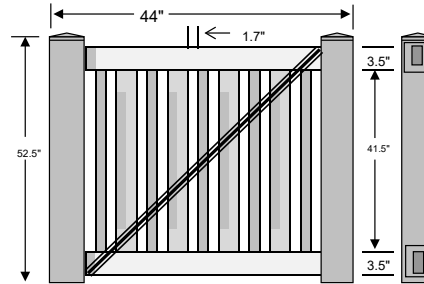
1	Material List			Pulled From		
Qty	Item	Dimension	White	Tan	Khaki	
2	Rails	2" x 3.5" x 71.75"	71.75"	71.75"	71.75"	
1	Aluminum	1.5" x 3.25" x 71.5"	71.5"	71.5"	71.5"	
8	Pickets	0.875" x 3" x 47"	47"	47"	47"	
9	Pickets	0.875" x 1.5" x 47"	47"	193.25"	193.25"	
P_PO-ALTNR-4X6						



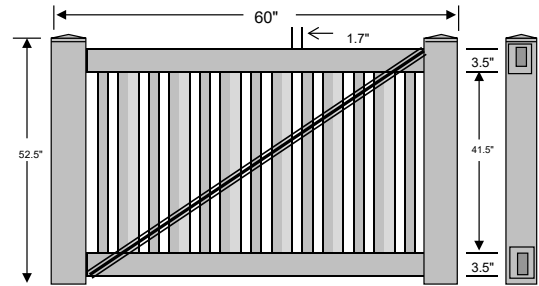
1	Material List			Pulled From		
Qty	Item	Dimension	White	Tan	Khaki	
2	Rails	2" x 3.5" x 95.75"	95.75"	95.75"	95.75"	
1	Aluminum	1.5" x 3.25" x 95.5"	95.5"	95.5"	95.5"	
11	Pickets	0.875" x 3" x 47"	47"	47"	47"	
12	Pickets	0.875" x 1.5" x 47"	47"	193.25"	193.25"	
P_PO-ALTNR-4X8						



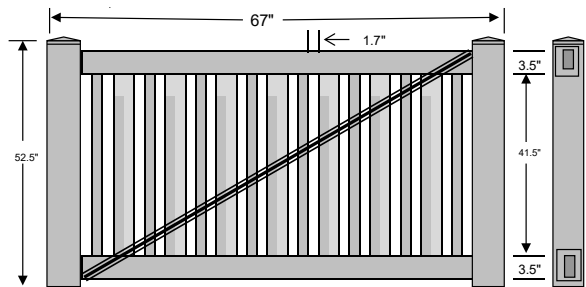
1	Material List			Pulled From		
QTY	Item	Dimension	White	Tan	Khaki	
2	Socket Post	4" x 4" x 52.5"	108"	108"	108"	
2	Post Caps	4" x 4"	4"	4"	4"	
2	Rails	2" x 3.5" x 43.5"	95.75"	95.75"	95.75"	
1	Aluminum	1.5" x 3.25" x 43"	95.5"	95.5"	95.5"	
4	Pickets	0.875" x 3" x 47"	47"	47"	47"	
5	Pickets	0.875" x 1.5" x 47"	47"	193.25"	193.25"	
1	Cross Brace	Cross Brace	90"	90"	90"	
1	Cross Brace Screws & Caps					
1	Vinyl Fence Glue		1.5 Oz	1.5 Oz	1.5 Oz	
G_PO-ALTNR-4X44						



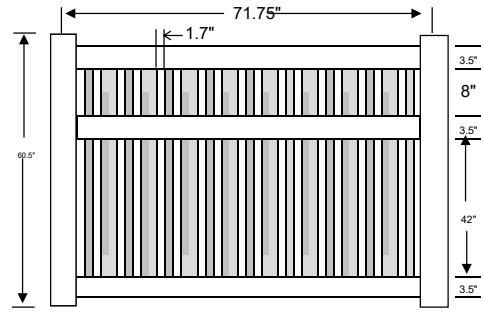
1	Material List			Pulled From		
QTY	Item	Dimension	White	Tan	Khaki	
2	Socket Post	4" x 4" x 52.5"	108"	108"	108"	
2	Post Caps	4" x 4"	4"	4"	4"	
2	Rails	2" x 3.5" x 59.5"	95.75"	95.75"	95.75"	
1	Aluminum	1.5" x 3.25" x 47"	95.5"	95.5"	95.5"	
6	Pickets	0.875" x 3" x 47"	47"	47"	47"	
7	Pickets	0.875" x 1.5" x 47"	47"	193.25"	193.25"	
1	Cross Brace	Cross Brace	90"	90"	90"	
1	Cross Brace Screws & Caps					
1	Vinyl Fence Glue		1.5 Oz	1.5 Oz	1.5 Oz	
G_PO-ALTNR-4X60						



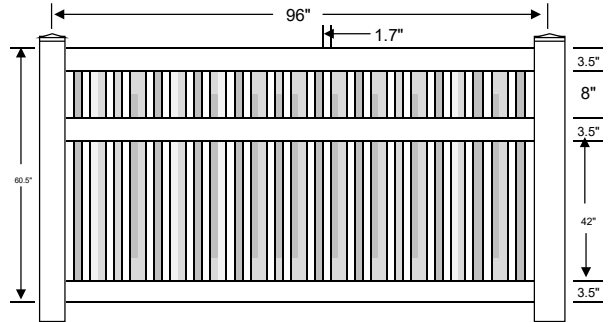
0	Material List			Pulled From		
QTY	Item	Dimension	White	Tan	Khaki	
0	Socket Post	4" x 4" x 52.5"	108"	108"	108"	
0	Post Caps	4" x 4"	4"	4"	4"	
0	Rails	2" x 3.5" x 66.5"	71.75"	71.75"	71.75"	
0	Aluminum	1.5" x 3.25" x 66"	71.5"	71.5"	71.5"	
0	Pickets	0.875" x 3" x 47"	47"	47"	47"	
0	Pickets	0.875" x 1.5" x 47"	47"	193.25"	193.25"	
0	Cross Brace	Cross Brace	90"	90"	90"	
0	Cross Brace Screws & Caps					
0	Vinyl Fence Glue		1.5 Oz	1.5 Oz	1.5 Oz	
G_PO-ALTNR-4X67						



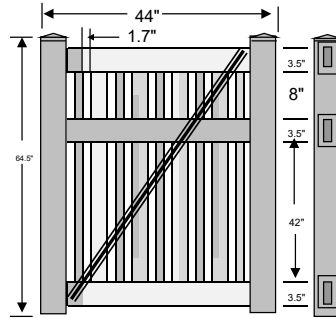
1		Material List		Pulled From		
Qty	Item	Dimension	White	Tan	Khaki	
2	T&B Rails	2" x 3.5" x 71.75"	71.75"	71.75"	71.75"	
1	Mid Rail	2" x 3.5" x 71.75"	71.75"	71.75"	71.75"	
1	Aluminum	1.5" x 3.25" x 71.5"	71.5"	71.5"	71.5"	
8	Pickets	0.875" x 3" x 59"	59"	59"	193.25"	
9	Pickets	0.875" x 1.5" x 59"	59"	193.25"	193.25"	
P_PO-ALTNR-5X6						



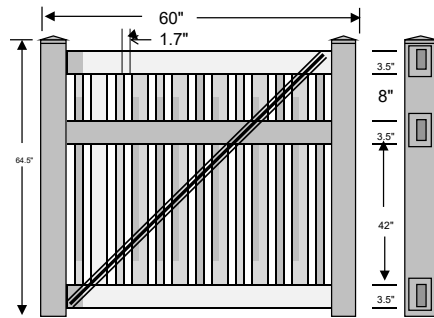
1		Material List		Pulled From		
Qty	Item	Dimension	White	Tan	Khaki	
2	T&B Rails	2" x 3.5" x 95.75"	95.75"	95.75"	95.75"	
1	Mid Rail	2" x 3.5" x 95.75"	95.75"	95.75"	95.75"	
1	Aluminum	1.5" x 3.25" x 95.5"	95.5"	95.5"	95.5"	
11	Pickets	0.875" x 3" x 59"	59"	59"	193.25"	
12	Pickets	0.875" x 1.5" x 59"	59"	193.25"	193.25"	
P_PO-ALTNR-5X8						



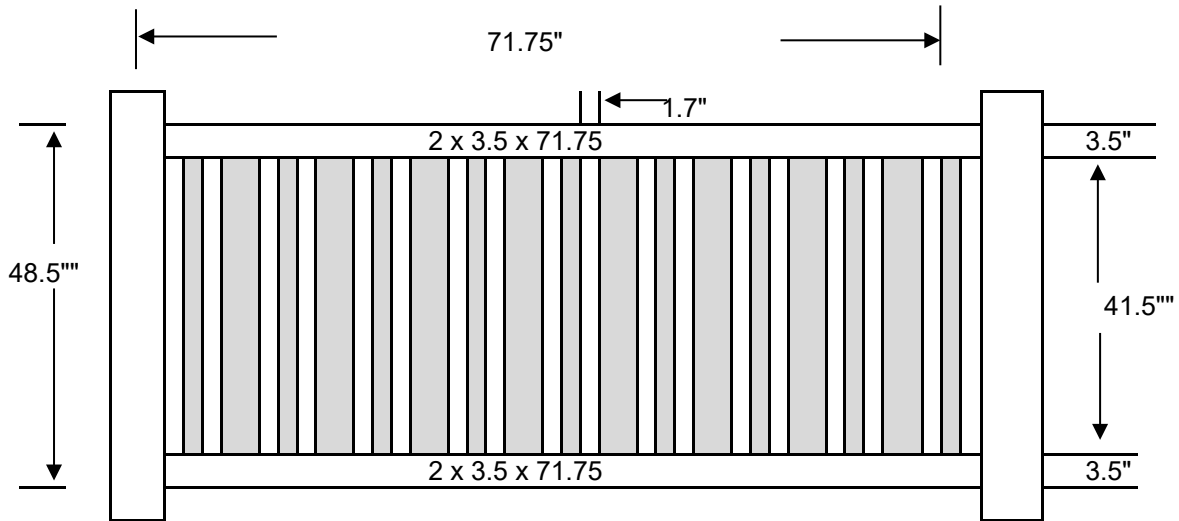
1		Material List		Pulled From		
Qty	Item	Dimension	White	Tan	Khaki	
2	Socket Post	4" x 4" x 64.5"	71.75"	84"	84"	
2	Post Caps	4" x 4"	4"	4"	4"	
2	T&B Rails	2" x 3.5" x 43.5"	95.75"	95.75"	95.75"	
1	Mid Rail	2" x 3.5" x 43.5"	95.75"	95.75"	95.75"	
1	Aluminum	1.5" x 3.25" x 43"	95.5"	95.5"	95.5"	
4	Pickets	0.875" x 3" x 59"	59"	59"	193.25"	
5	Pickets	0.875" x 1.5" x 59"	59"	193.25"	193.25"	
1	Cross Brace	Cross Brace	90"	90"	90"	
1	Cross Brace Screw and Cap					
1	Vinyl Fence Glue		1.5 Oz	1.5 Oz	1.5 Oz	
G_PO-ALTNR-5X44						



1		Material List		Pulled From		
Qty	Item	Dimension	White	Tan	Khaki	
2	Socket Post	4" x 4" x 64.5"	71.75"	84"	84"	
2	Post Caps	4" x 4"	4"	4"	4"	
2	T&B Rails	2" x 3.5" x 59.5"	71.75"	71.75"	71.75"	
1	Mid Rail	2" x 3.5" x 59.5"	71.75"	71.75"	71.75"	
1	Aluminum	1.5" x 3.25" x 59"	71.5"	71.5"	71.5"	
6	Pickets	0.875" x 3" x 59"	59"	59"	193.25"	
7	Pickets	0.875" x 1.5" x 59"	59"	193.25"	193.25"	
1	Cross Brace	Cross Brace	90"	90"	90"	
1	Cross Brace Screw and Cap					
1	Vinyl Fence Glue		1.5 Oz	1.5 Oz	1.5 Oz	
G_PO-ALTNR-5X60						



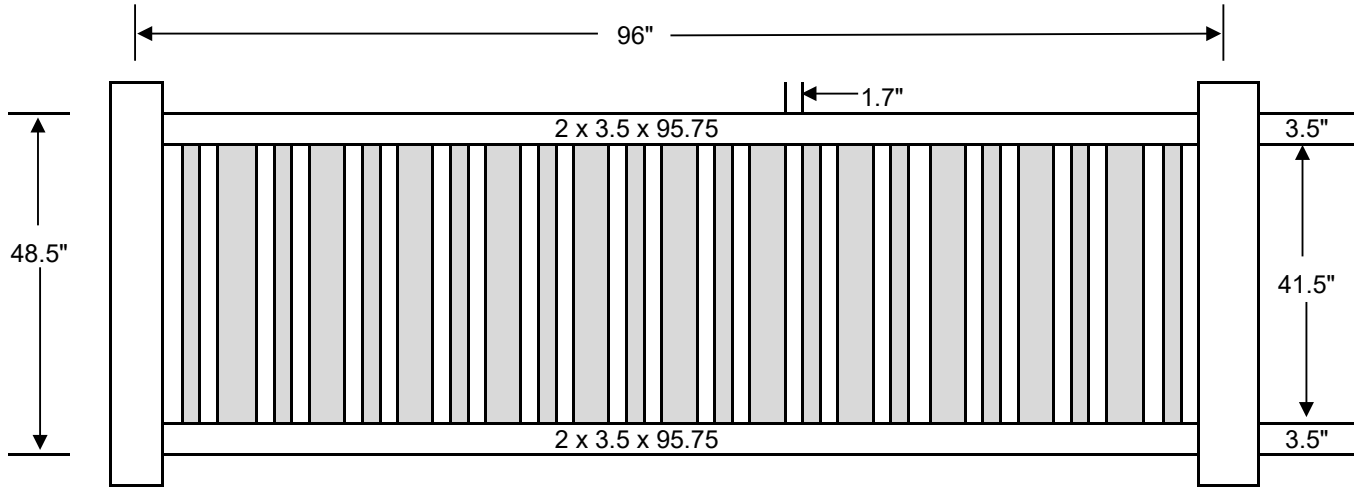
P_PO-ALTNR-4X6



1	Material List			Pulled From		
	Qty	Item	Dimension	White	Tan	Khaki
2	Rails	2" x 3.5" x 71.75"	71.75"	71.75"	71.75"	
1	Aluminum	1.5" x 3.25" x 71.5"	71.5"	71.5"	71.5"	
8	Pickets	0.875" x 3" x 47"	47"	47"	47"	
9	Pickets	0.875" x 1.5" x 47"	47"	193.25"	193.25"	

P_PO-ALTNR-4X6

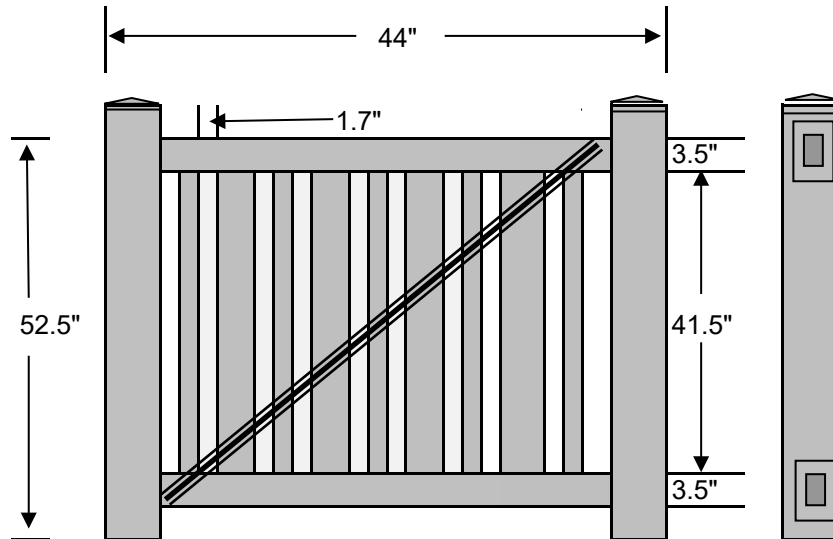
P_PO-ALTNR-4X8



1		Material List	Pulled From		
Qty	Item	Dimension	White	Tan	Khaki
2	Rails	2" x 3.5" x 95.75"	95.75"	95.75"	95.75"
1	Aluminum	1.5" x 3.25" x 95.5"	95.5"	95.5"	95.5"
11	Pickets	0.875" x 3" x 47"	47"	47"	47"
12	Pickets	0.875" x 1.5" x 47"	47"	193.25"	193.25"

P_PO-ALTNR-4X8

G_PO-ALTNR-4X4

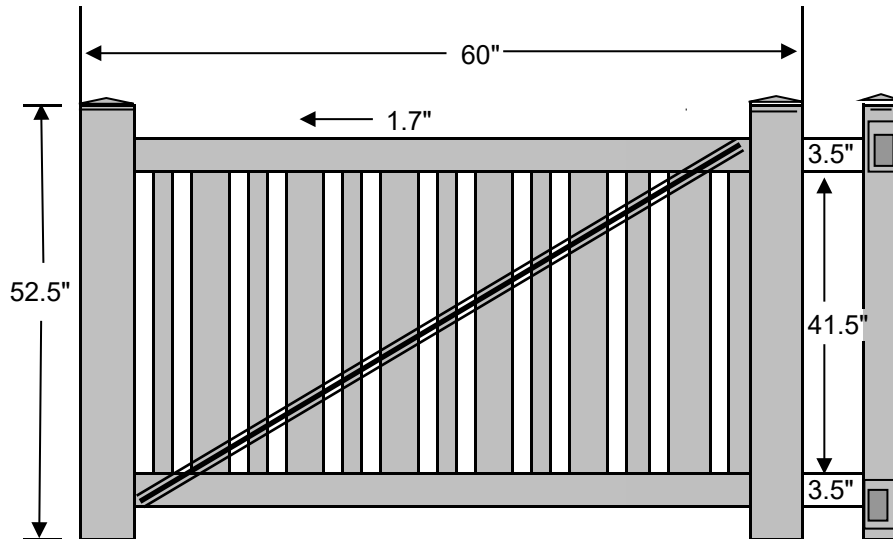


1

Material List			Pulled From		
QTY	Item	Dimensions	White	Tan	Khaki
2	Socket Post	4" x 4" x 52.5"	108"	108"	108"
2	Post Caps	4" x 4"	4"	4"	4"
1	Top Rail	2" x 3.5" x 43.5"	95.75"	95.75"	95.75"
1	Bottom Rail	2" x 3.5" x 43.5"	95.75"	95.75"	95.75"
1	Aluminum	1.5" x 3.25" x 43"	95.5"	95.5"	95.5"
1	Cross Brace	Cross Brace	90"	90"	90"
4	Pickets	0.875" x 3" x 47"	47"	47"	47"
5	Pickets	0.875" x 1.5" x 47"	47"	193.25"	193.25"
1	Cross Brace Screws & Caps				
1	Vinyl Fence Glue		1.5 Oz	1.5 Oz	1.5 Oz

G_PO-ALTNR-4X4

G_PO-ALTNR-4X60



1

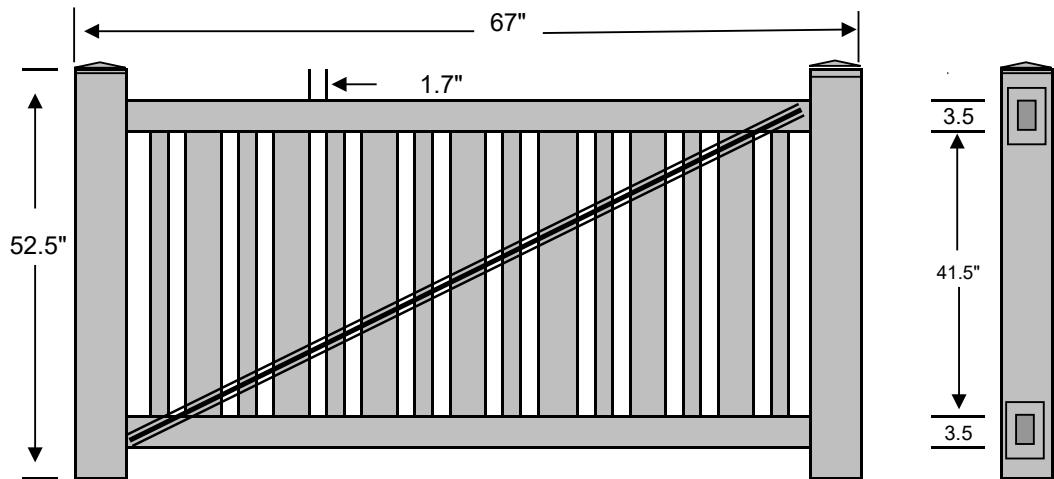
Material List

Pulled From

QTY	Item	Dimensions	White	Tan	Khaki
2	Socket Post	4" x 4" x 52.5"	108"	108"	108"
2	Post Caps	4" x 4"	4"	4"	4"
1	Top Rail	2" x 3.5" x 59.5"	71.75"	71.75"	71.75"
1	Bottom Rail	2" x 3.5" x 59.5"	71.75"	71.75"	71.75"
1	Aluminum	1.5" x 3.25" x 59"	71.5"	71.5"	71.5"
1	Cross Brace	Cross Brace	90"	90"	90"
6	Pickets	0.875" x 3" x 47"	47"	47"	47"
7	Pickets	0.875" x 1.5" x 47"	47"	193.25"	193.25"
1	Cross Brace Screws & Caps				
1	Vinyl Fence Glue		1.5 Oz	1.5 Oz	1.5 Oz

G_PO-ALTNR-4X60

G_PO-ALTNR-4X67

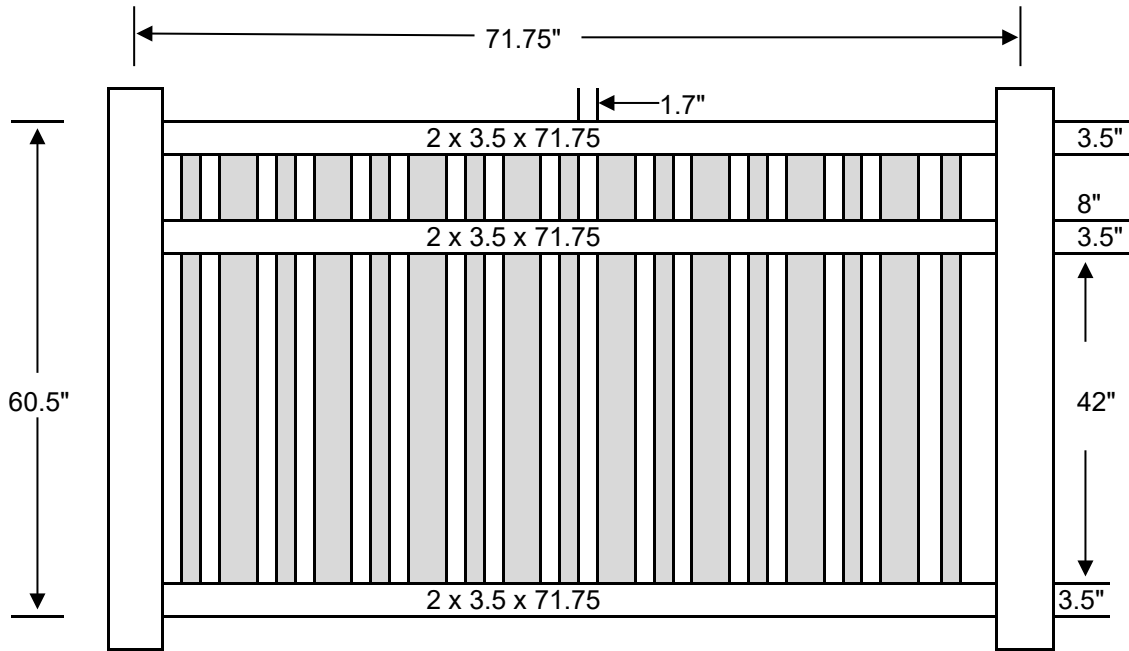


1

Material List			Pulled From		
QTY	Item	Dimensions	White	Tan	Khaki
2	Socket Post	4" x 4" x 52.5"	108"	108"	108"
2	Post Caps	4" x 4"	4"	4"	4"
1	Top Rail	2" x 3.5" x 66.5"	71.75"	71.75"	71.75"
1	Bottom Rail	2" x 3.5" x 66.5"	71.75"	71.75"	71.75"
1	Aluminum	1.5" x 3.25" x 66"	71.5"	71.5"	71.5"
7	Pickets	0.875" x 3" x 47"	47"	47"	47"
8	Pickets	0.875" x 1.5" x 47"	47"	193.25"	193.25"
1	Cross Brace	Cross Brace	90"	90"	90"
1	Cross Brace Screws & Caps				
1	Vinyl Fence Glue		1.5 Oz	1.5 Oz	1.5 Oz

G_PO-ALTNR-4X67

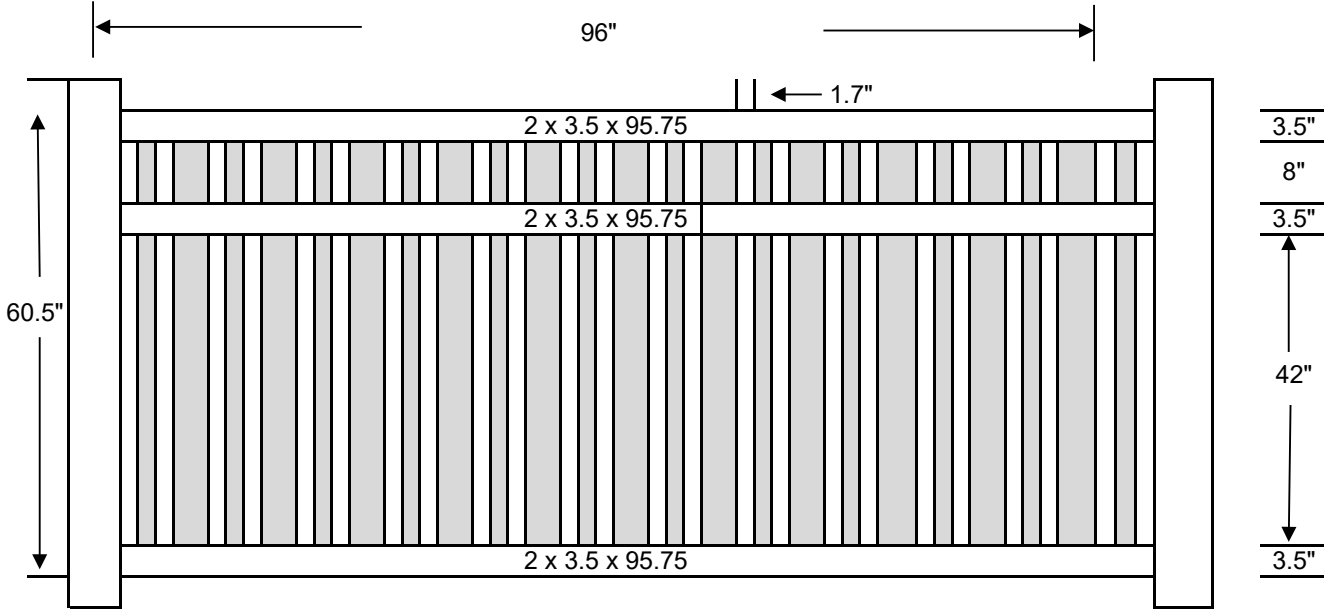
P_PO-ALTNR-5X6



1	Material List			Pulled From		
	Qty	Item	Dimension	White	Tan	Khaki
2	T&B Rails	2" x 3.5" x 71.75"	71.75"	71.75"	71.75"	
1	Mid Rail	2" x 3.5" x 71.75"	71.75"	71.75"	71.75"	
1	Aluminum	1.5" x 3.25" x 71.5"	71.5"	71.5"	71.5"	
8	Pickets	0.875" x 3" x 59"	59"	59"	193.25"	
9	Pickets	0.875" x 1.5" x 59"	59"	193.25"	193.25"	

P_PO-ALTNR-5X6

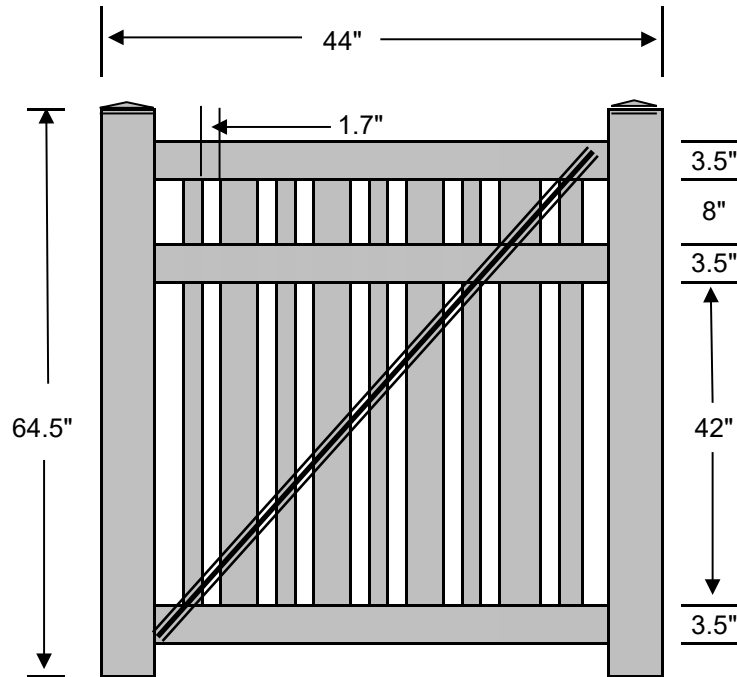
P_PO-ALTNR-5X8



1	Material List		Pulled From		
	Qty	Item	Dimension	White	Tan
2	T&B Rails	2" x 3.5" x 95.75"	95.75"	95.75"	95.75"
1	Mid Rail	2" x 3.5" x 95.75"	95.75"	95.75"	95.75"
1	Aluminum	1.5" x 3.25" x 95.5"	95.5"	95.5"	95.5"
11	Pickets	0.875" x 3" x 59"	59"	59"	193.25"
12	Pickets	0.875" x 1.5" x 59"	59"	193.25"	193.25"

P_PO-ALTNR-5X8

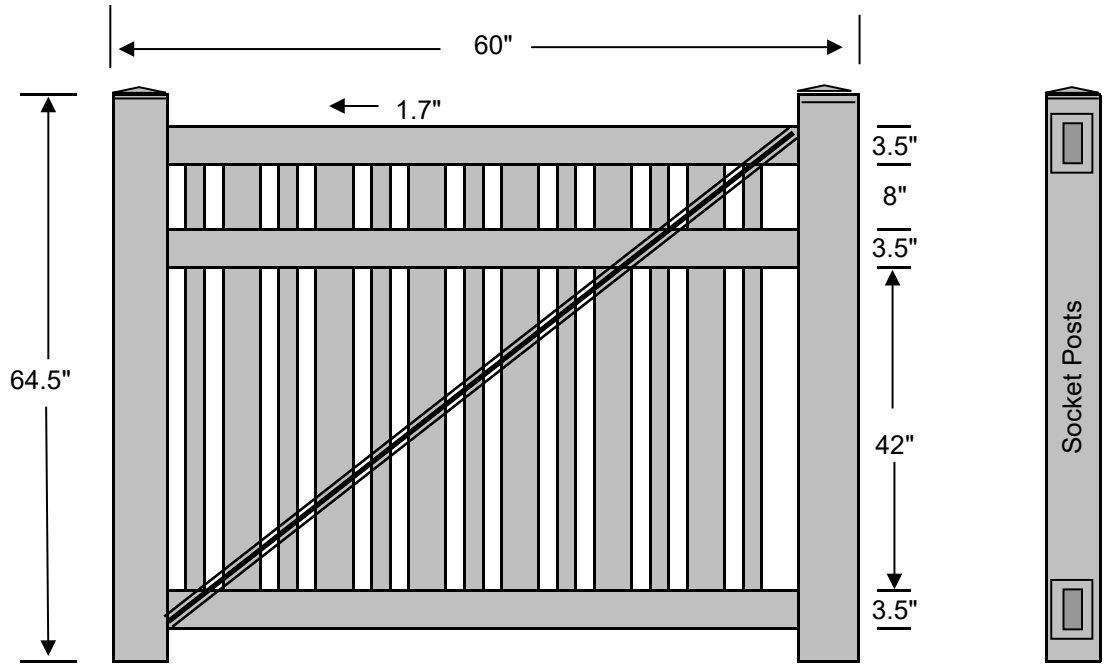
G_PO-ALTNR-5X44



1

Material List			Pulled From		
QTY	Item	Dimensions	White	Tan	Khaki
2	Socket Post	4" x 4" x 64.5"	71.75"	84"	84"
2	Post Caps	4" x 4"	4"	4"	4"
1	Top Rail	2" x 3.5" x 43.5"	95.75"	95.75"	95.75"
1	Mid Rail	2" x 3.5" x 43.5"	95.75"	95.75"	95.75"
1	Bottom Rail	2" x 3.5" x 43.5"	95.75"	95.75"	95.75"
1	Aluminum	1.5" x 3.25" x 43"	95.5"	95.5"	95.5"
1	Cross Brace	Cross Brace	90"	90"	90"
4	Pickets	0.875" x 3" x 59"	59"	59"	193.25"
5	Pickets	0.875" x 1.5" x 59"	59"	193.25"	193.25"
1	Cross Brace Screws & Caps				
1	Vinyl Fence Glue		1.5 Oz	1.5 Oz	1.5 Oz
			G_PO-ALTNR-5X44		

G_PO-ALTNR-5X60



1		Material List	Pulled From		
QTY	Item	Dimensions	White	Tan	Khaki
2	Socket Post	4" x 4" x 64.5"	71.75"	84"	84"
2	Post Caps	4" x 4"	4"	4"	4"
1	Top Rail	2" x 3.5" x 59.5"	71.75"	71.75"	71.75"
1	Mid Rail	2" x 3.5" x 59.5"	71.75"	71.75"	71.75"
1	Bottom Rail	2" x 3.5" x 59.5"	71.75"	71.75"	71.75"
1	Aluminum	1.5" x 3.25" x 59"	71.5"	71.5"	71.5"
1	Cross Brace	Cross Brace	90"	90"	90"
6	Pickets	0.875" x 3" x 59"	59"	59"	193.25"
7	Pickets	0.875" x 1.5" x 59"	59"	193.25"	193.25"
1	Cross Brace Screws & Caps				
1	Vinyl Fence Glue		1.5 Oz	1.5 Oz	1.5 Oz
			G_PO-ALTNR-5X60		